

High torque Radial Piston Motors MR Type

Fixed displacement (up to 9000 cm³/rev - 550 in³/rev)

Conversion factors

1 kg	2.20 lb
1 N	0.225 lbf
1 Nm	0.738 lbf ft
1 bar	14.5 psi
1 l	0.264 US gallon
1 cm ³	0.061 cu in
1 mm	0.039 in
1 °C	(5/9)(°F-32)
1 kW	1.34 hp

Conversion factors

1 lb	0.454 kg
1 lbf	4.448 N
1 lbf ft	1.356 Nm
1 psi	0.068948 bar
1 US gallon	3.785 l
1 cu in	16.387 cm ³
1 in	25.4 mm
1 °F	(9/5)(°C) + 32
1 hp	0.7457 kW

**WARNING – USER RESPONSIBILITY**

This document and other information from Calzoni Hydraulics provide product or system options for further investigation by users having technical expertise.

The user, through its own analysis and testing, is solely responsible for making the final selection of the system and components and assuring that all performance, endurance, maintenance, safety and warning requirements of the application are met. The user must analyze all aspects of the application, follow applicable industry standards, and follow the information concerning the product in the current product catalog and in any other materials provided from Calzoni Hydraulics.

To the extent that Calzoni Hydraulics provide component or system options based upon data or specifications provided by the user, the user is responsible for determining that such data and specifications are suitable and sufficient for all applications and reasonably foreseeable uses of the components or systems.

Content	Page
General information	4
Functional description	6
Specifications	8
Ordering information	12
Overall dimensions	14
Hydraulic fluids	32
Operating diagrams.....	34
Installation and commissioning notes	48
Service life and motor selection.....	54

General Information

Calzoni MR hydraulic motors are of the radial piston type. Unique Fluid Column Technology is utilized to achieve superior performances compared to competitive designs. The motors are engineered for high mechanical and volumetric efficiency over a wide range of speed and torque.

Due to their special design, the MR motors deliver their maximum performance when the application requires high torque values. The MR motors combine precise and smooth movements, both at low speed and during acceleration and deceleration transitions.

In addition, the high starting torque (up to 96%) allows the user to select a smaller displacement of the motor, optimizing the size of all the other system's components.

Other typical characteristics of MR motors are:

- high power to weight ratio
- high volumetric and mechanical efficiency
- high resistance to thermal shock
- very low operating noise levels
- suitable for fire-resistant and biologically degradable fluids
- extremely well suited for control engineering applications
- reversible operation (motor and pump)

MR motors are grouped into 10 different frame sizes, corresponding to 36 standard displacements available.

Motors can be customized by selecting different types of shafts, speed sensors, seals, and connection flanges.

Optional accessories include gearboxes and parking brakes.

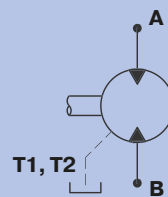
Furthermore, MR motors can be equipped with optional built-on manifold blocks (cross relief, anti-cavitation, flushing and drain valves) to suit the customer needs.

To ensure high quality production standards, we maintain a Quality Assurance System, certified to standard ISO 9001:2015, ISO 14001:2015, ISO 45001:2018.

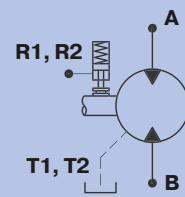
The product has been approved by ABS for use on ABS classed vessels.

ATEX version is available for use in potentially explosive atmospheres (Directive 2014/34/EU).

Hydraulic symbols



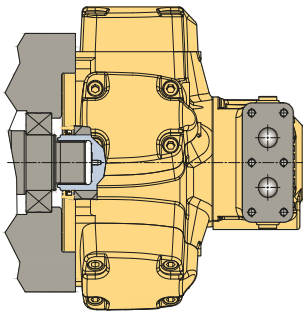
Motor without brake



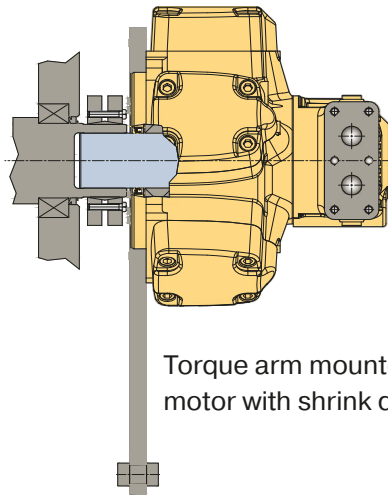
Motor with brake

Hydraulic motor	
Construction	Fixed displacement radial piston motors, fluid column type
Mounting type	Flange, shrink disk
Maximum pressure	Up to 420 bar (6000 psi) ⁽¹⁾
Displacement	Up to 9000 cm ³ /rev (550 in ³ /rev)
Torque	Up to 35000 Nm (25815 lbf.ft)
Temperature range	-30 to +80 °C (-22° to +176°F)
Direction of rotation	Reversible (clockwise / counterclockwise)
Operation type	Reversible (motor and pump) ⁽²⁾
⁽¹⁾ = Peak value, see operating diagrams for complete motor parameters; ⁽²⁾ = Charge pressure is required during pumping operation (refer to "Operating diagrams" section).	

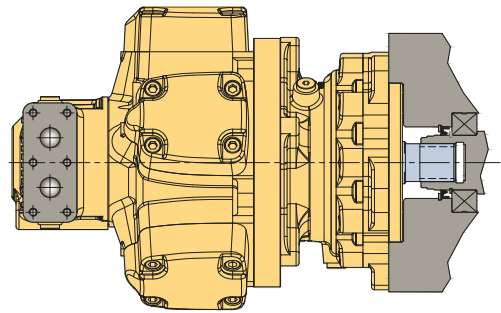
Examples of installations



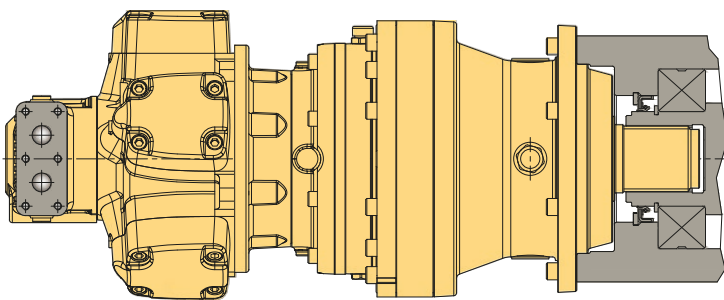
Flange mounted motor



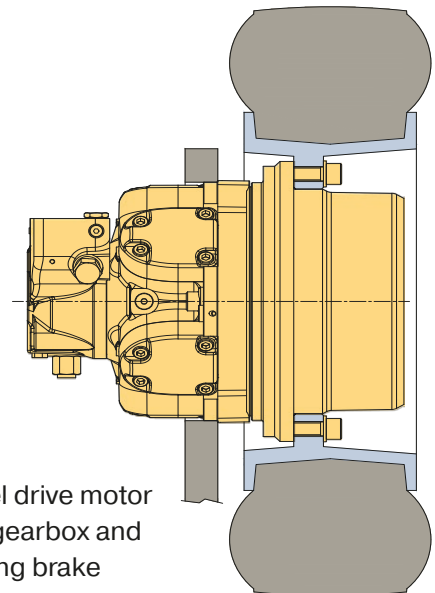
Torque arm mounted motor with shrink disk



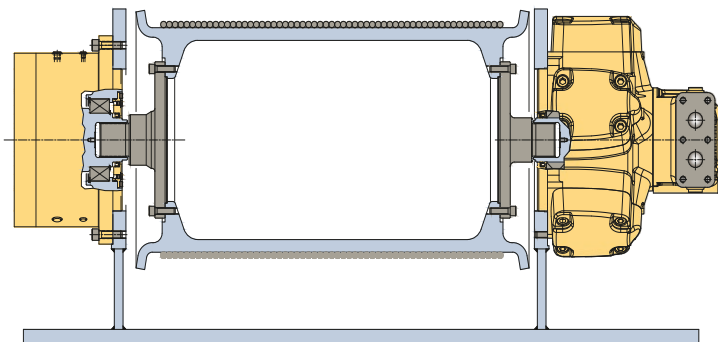
Flange mounted motor with parking brake



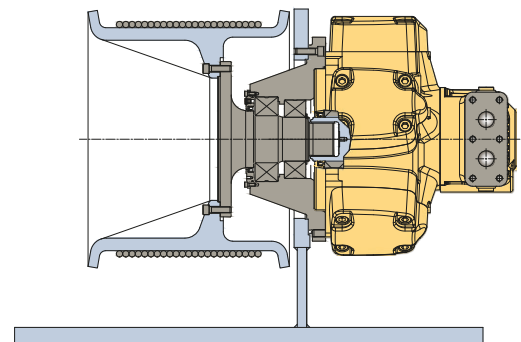
Flange mounted motor with gearbox and parking brake



Wheel drive motor with gearbox and parking brake

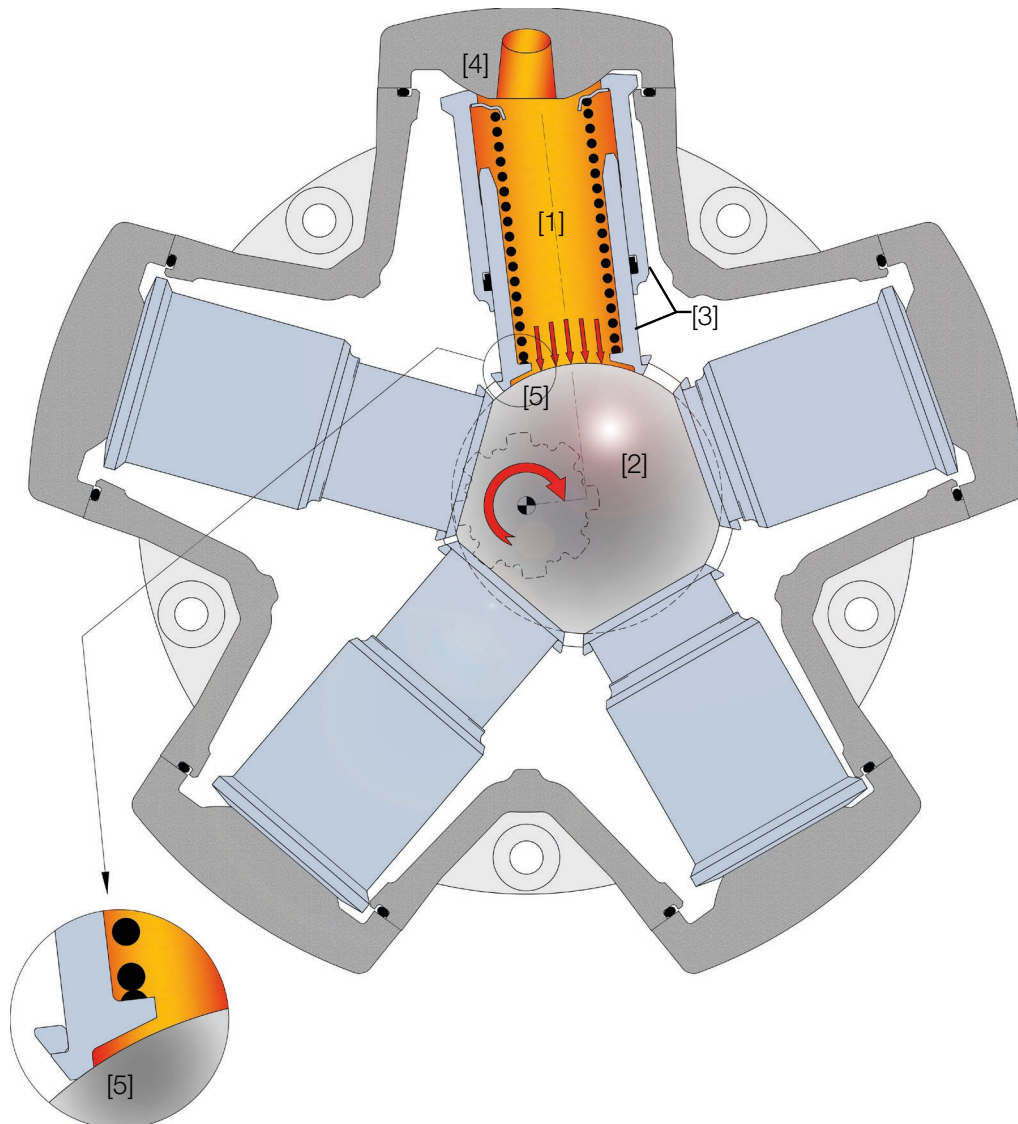


Direct mounted winch drum drive with parking brake



Bracket mounted capstan drive

Propulsion: “The fluid column technology”



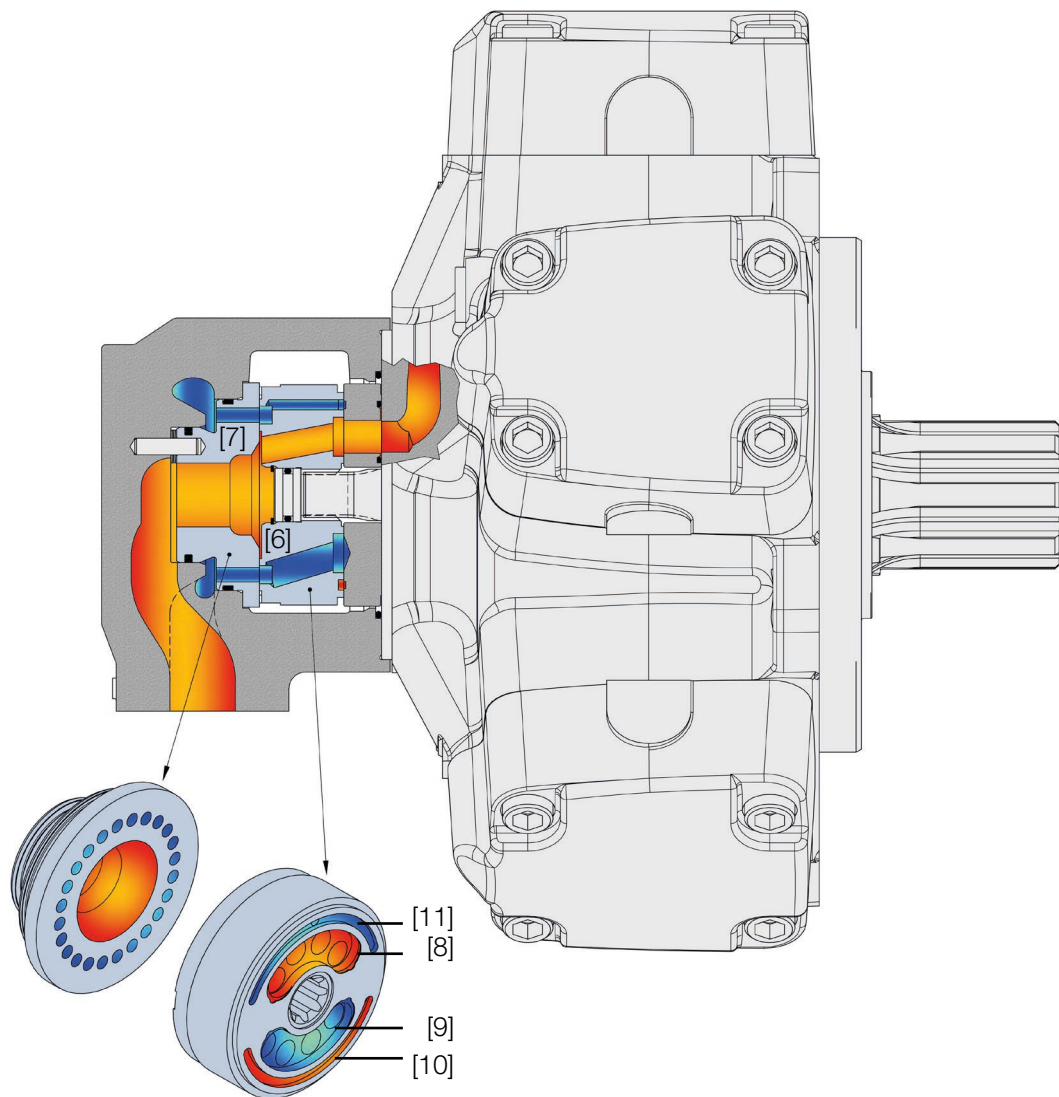
The main concept of this unique and outstanding technology is to convert fluid power (pressure and flow) into mechanical power (torque and speed) by means of pressurized columns of fluid [1] which act directly on a spherical eccentric shaft [2], thereby avoiding the use of conventional connecting rods, pistons, and pins.

Torque is generated by the columns of pressurized fluid [1] that directly push the eccentric cam [2] producing the shaft rotation.

In each propulsion unit, the pressurized fluid is contained within a telescopic cylinder [3] that is sealed by two spherical surfaces, one on the propulsor cover [4] and one on the eccentric shaft [5]. The two spherical surfaces guide the telescopic cylinder so that no side forces are generated during the shaft rotation.

Thanks to the limited friction and wear caused by the “metal to metal” contact, the fluid column propulsion system guarantees high values of volumetric and mechanical efficiency, combined with smooth and precise movements of the motor shaft, even at the lowest speeds.

Timing system: “The balanced forces concept”



The timing system - consisting of the rotary valve [6] and the reaction ring [7] - supplies the columns of fluid precisely in the correct sequence to generate a smooth motor output torque. While the reaction ring is used to adjust the clearance and to compensate for thermal shocks, the rotary valve rotates at the same speed as the eccentric shaft and connects the reaction ring to the piston chambers by means of two slots [8] and [9]. Two additional balancing slots [10] and [11] cancel the tilting moments (patented), guaranteeing consistent performance for the entire service life.

Product philosophy: “Design for performance and durability”

The human intelligence has always been applied to design mechanisms in which the movements and forces are the result of different components working together providing stresses and strains against each other. Our product philosophy has allowed us to achieve the balancing of each of these movements, making our motors more efficient and resistant to wear and tear over time.

Newton’s Third Law

“For every action, there is an equal and opposite reaction”: inside our motors, we hydraulically transmit and balance forces to generate high torque values combined with low friction and high efficiency.

Calculation fundamentals

$$\text{Required flow: } Q = \frac{V \times n}{1000 \times \eta_v} \quad (\text{l/min})$$

$$\text{Output torque: } M = \frac{V \times \Delta p \times \eta_m}{62.8} = T_s \times \Delta p \quad (\text{N.m})$$

$$\text{Output power: } P = \frac{Q \times \Delta p \times \eta_t}{600} = \frac{M \times n}{9549} \quad (\text{kW})$$

V = displacement (cm³/rev)
n = speed (rpm)
T_s = specific torque (Nm/bar)
Δp = differential pressure (bar)
η_v = volumetric efficiency
η_m = mechanical efficiency
η_t = overall efficiency

Technical data

MOTOR TYPE	DISPLACEMENT	SPECIFIC TORQUE	SPEED		MAXIMUM PRESSURE				MAXIMUM POWER
			Min	Max	Continuous	Intermittent	Peak	A+B	
-	V	T _s	n _{min}	n _{max}	p _{cont.}	p _{nit.}	p _{peak}	p _{A+B}	P _{max}
-	cm ³ /rev	Nm/bar	rpm	rpm	bar	bar	bar	bar	kW
MR 75 B	72.6	1.20	1.0	1200	280	320	420	400	20
MR 90 B	85.8	1.40	1.0	1150	280	320	420	400	25
MR 110 B	112.2	1.80	1.0	1100	280	320	420	400	28
MR 125 C	124.7	2.00	1.0	950	280	320	420	400	30
MR 160 C	159.7	2.54	1.0	900	280	320	420	400	34
MR 190 C	191.6	3.05	1.0	850	280	320	420	400	38
MR 200 D	199.2	3.20	1.0	800	280	320	420	400	40
MR 250 D	250.9	4.00	1.0	800	280	320	420	400	50
MR 300 D	304.1	4.80	1.0	750	280	320	420	400	53
MRE 330 D	332.4	5.30	1.0	750	230	280	400	400	49
MRA 400 D	390.5	6.21	1.0	640	210	260	380	400	45
MR 350 E	349.5	5.57	1.0	640	250	300	420	400	62
MR 400 E	400.6	6.38	1.0	620	250	300	420	400	70
MR 450 E	451.6	7.20	1.0	600	250	300	420	400	75
MRE 500 E	497.9	7.93	1.0	600	230	280	400	400	70
MR500F	500.9	8.10	1.0	550	250	300	420	400	77
MR 600 F	607.9	9.70	1.0	520	250	300	420	400	84
MR 700 F	706.9	11.30	1.0	500	250	300	420	400	97
MRE 800 F	804.2	12.81	1.0	450	230	280	400	400	93

MOTOR TYPE	DISPLACEMENT	SPECIFIC TORQUE	SPEED		MAXIMUM PRESSURE				MAXIMUM POWER
			Min	Max	Continuous	Intermittent	Peak	A+B	
-	V	T_s	n_{min}	n_{max}	$p_{cont.}$	$p_{nit.}$	p_{peak}	p_{A+B}	P_{max}
-	cm ³ /rev	Nm/bar	rpm	rpm	bar	bar	bar	bar	kW
MR 1100 G	1125.8	17.9	0.5	330	250	300	420	400	119
MRE 1400 G	1369.5	21.8	0.5	280	230	280	400	400	102
MR 1600 H	1598.4	25.4	0.5	260	250	300	420	400	144
MR 1800 H	1809.6	28.8	0.5	250	250	300	420	400	153
MRE 2100 H	2091.2	33.2	0.5	250	230	280	400	400	148
MR 2400 I	2393.0	38.1	0.5	220	250	300	420	400	183
MR 2800 I	2792.0	44.5	0.5	215	250	300	420	400	194
MRE 3100 I	3103.7	49.4	0.5	215	230	280	400	400	190
MRA 3500 I	3490.4	55.6	0.5	180	210	260	380	400	175
MR 3600 L	3636.8	57.9	0.5	180	250	300	420	400	185
MR 4100 L	4104.4	65.3	0.5	175	250	300	420	400	190
MR 4500 L	4502.7	71.7	0.5	170	250	300	420	400	210
MRE 5400 L	5401.2	86.0	0.5	160	230	280	400	400	210
MR 6500 M	6460.9	103.6	0.5	130	250	300	420	400	240
MR 7000 M	6967.2	111.4	0.5	130	250	300	420	400	250
MRE 8200 M	8226.4	130.9	0.5	120	230	280	400	400	250
MRA 9000 M	9040.4	143.9	0.5	110	210	260	380	400	230

Definitions and guidelines

- Continuous pressure ($p_{cont.}$): Maximum pressure during continuous working operations.
- Intermittent pressure ($p_{int.}$): Maximum pressure during non-continuous operations (intermittent pressure may occur max 10 % of duty cycle and not more than 20 consecutive seconds inside each cycle).
- Peak pressure (p_{peak}): Pressure exceeding the maximum operating pressure for a short time at which the motor remains able to function (milliseconds corresponding to the reaction time of the system relief valve).
- Additional pressure (p_{A+B}): Maximum sum of inlet pressure and outlet pressure.

Due to its high volumetric efficiency, the motor case must be flushed when the output power exceeds 70 % of the maximum admitted value P_{max} , in order to assure the minimum oil viscosity inside the motor case of 30 cSt. The flushing is necessary also when the requested minimum viscosity condition is not assured.

Calculation fundamentals

Required flow: $Q = \frac{V \times n}{231 \times \eta_v}$ (gpm)

Output torque: $M = \frac{T_s \times \Delta p \times \eta_m}{1000}$ (lbf*ft)

Output power: $P = \frac{Q \times \Delta p \times \eta_t}{1714} = \frac{M \times n}{5252}$ (hp)

V = displacement (in³/rev)
 n = speed (rpm)
 T_s = specific torque (lbf*ft/1000 psi)
 Δp = differential pressure (psi)
 η_v = volumetric efficiency
 η_m = mechanical efficiency
 η_t = overall efficiency

Technical data

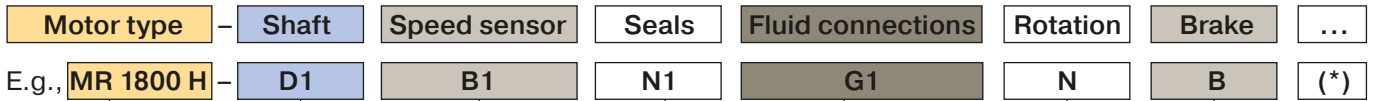
MOTOR TYPE	DISPLACEMENT	SPECIFIC TORQUE	SPEED		MAXIMUM PRESSURE				MAXIMUM POWER
			Min	Max	Continuous	Intermittent	Peak	A+B	
-	V	T _s	n _{min}	n _{max}	p _{cont.}	p _{nit.}	p _{peak}	p _{A+B}	P _{max}
-	in ³ /rev	$\frac{\text{lbf}\cdot\text{ft}}{1000\cdot\text{psi}}$	rpm	rpm	psi	psi	psi	psi	hp
MR 75 B	4.43	59	1.0	1200	4061	4641	6092	5802	27
MR 90 B	5.22	69	1.0	1150	4061	4641	6092	5802	34
MR 110 B	6.85	91	1.0	1100	4061	6441	6092	5802	38
MR 125 C	7.61	101	1.0	950	4061	6441	6092	5802	40
MR 160 C	9.75	129	1.0	900	4061	6441	6092	5802	46
MR 190 C	11.69	155	1.0	850	4061	6441	6092	5802	51
MR 200 D	12.16	161	1.0	800	4061	4641	6092	5802	54
MR 250 D	15.31	203	1.0	800	4061	4641	6095	5802	67
MR 300 D	18.56	246	1.0	750	4061	4641	6092	5802	71
MRE 330 D	20.28	269	1.0	750	3336	4061	5802	5802	66
MRA 400 D	23.83	316	1.0	640	3046	3771	5511	5802	60
MR 350 E	21.33	283	1.0	640	3626	4351	6092	5802	83
MR 400 E	24.45	314	1.0	620	3626	4351	66092	5802	94
MR 450 E	27.56	365	1.0	600	3626	4351	6092	5802	101
MRE 500 E	30.38	403	1.0	600	3336	4061	5802	5802	94
MR500F	31.06	412	1.0	550	3626	4351	6092	5802	103
MR 600 F	37.10	492	1.0	520	3626	4351	6092	5802	113
MR 700 F	43.14	572	1.0	500	3626	4351	6092	5802	130
MRE 800 F	49.08	651	1.0	450	3336	4061	5802	5802	125

MOTOR TYPE	DISPLACEMENT	SPECIFIC TORQUE	SPEED		MAXIMUM PRESSURE				MAXIMUM POWER
			Min	Max	Continuous	Intermittent	Peak	A+B	
-	V	T_s	n_{min}	n_{max}	$p_{cont.}$	$p_{nit.}$	p_{peak}	p_{A+B}	P_{max}
-	in ³ /rev	$\frac{lbf \cdot ft}{1000 \cdot psi}$	rpm	rpm	psi	psi	psi	psi	hp
MR 1100 G	68.70	911	0.5	330	3626	4351	6092	5802	160
MRE 1400 G	83.57	1108	0.5	280	3336	4061	5802	5802	137
MR 1600 H	97.54	1294	0.5	260	3626	4351	6092	5802	193
MR 1800 H	110.43	1465	0.5	250	3626	4351	6092	5802	205
MRE 2100 H	127.61	1692	0.5	250	3336	4061	5802	5802	198
MR 2400 I	146.03	1937	0.5	220	3626	4351	6092	5802	245
MR 2800 I	170.38	2260	0.5	215	3626	4351	6092	5802	260
MRE 3100 I	189.4	2512	0.5	215	3336	4061	5802	5802	255
MRA 3500 I	213.00	2825	0.5	180	3046	3771	5511	5802	235
MR 3600 L	221.93	2943	0.5	180	3626	4351	6092	5802	248
MR 4100 L	250.47	3322	0.5	175	3626	4351	6092	5802	255
MR 4500 L	274.77	3644	0.5	170	3626	4351	6092	5802	282
MRE 5400 L	329.60	4371	0.5	160	3336	4061	5802	5802	282
MR 6500 M	394.24	5229	0.5	130	3626	4351	6092	5802	322
MR 7000 M	425.16	5639	0.5	130	3626	4351	6092	5802	335
MRE 8200 M	502.01	6658	0.5	120	3336	4061	5802	5802	335
MRA 9000 M	551.68	7316	0.5	110	3046	3771	5511	5802	308

- Continuous pressure ($p_{cont.}$): Maximum pressure during continuous working operations.
- Intermittent pressure ($p_{int.}$): Maximum pressure during non-continuous operations (intermittent pressure may occur max 10 % of duty cycle and not more than 20 consecutive seconds inside each cycle).
- Peak pressure (p_{peak}): Pressure exceeding the maximum operating pressure for a short time at which the motor remains able to function (milliseconds corresponding to the reaction time of the system relief valve).
- Additional pressure (p_{A+B}): Maximum sum of inlet pressure and outlet pressure.

Due to its high volumetric efficiency, the motor case must be flushed when the output power exceeds 70 % of the maximum admitted value P_{max} , in order to assure the minimum oil viscosity inside the motor case of 30 cSt. The flushing is necessary also when the requested minimum viscosity condition is not assured.

Ordering codes



Complete motors list at page 8 (Metric units) and page 10 (US and imperial units).

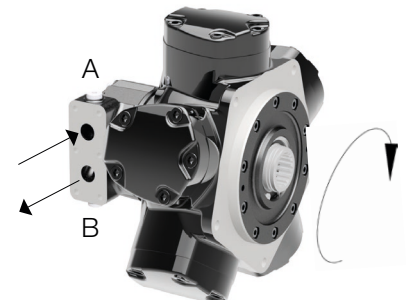
Code(**)	Description	
N1	Splined male shaft, according to standard DIN 5463	16-17
D1	Splined male shaft, according to standard DIN 5480	16-17
F1	Splined female shaft, according to standard DIN 5480	18-19
P1	Male shaft with key	18-19
B1	Splined male shaft, according to standard BS 3550	16-17
C1	Shrink disk coupling	20

Code	Description
N1	NBR mineral oil, 5 bar shaft seal
F1	NBR mineral oil, 15 bar shaft seal (not available in case of brake assembly)
U1	No shaft seal (for brake coupling)
V1	FPM (Viton ®)

Code	Description	
-	None	-
B	Parking brake	30

Code	Description	
N1	None	-
C1	Connection for mechanical tachometer	21
Q1	Connection for encoder	21
T1	Connection for Tachogenerator	21
M1	Monodirectional incremental encoder	22
B1	Bidirectional incremental encoder	22

Code(**)	Description	
N1	Six-bolt connection (for manifold blocks)	23
G3	High pressure SAE metric connection (6000 psi)	24-25
L3	High pressure SAE UNC connection (6000 psi)	24-25
S1	Standard pressure SAE metric adaptor	26-27
T1	Standard pressure SAE UNC adaptor	26-27
G1	High pressure SAE metric flange (6000 psi)	28
L1	High pressure SAE UNC flange (6000 psi)	28
C1	BSP threads flange (according to ISO 228/1)	29



Code	Inlet Port	Direction of rotation (viewed from shaft end)
N	A	Clockwise
	B	Counter-clockwise
S	B	Clockwise
	A	Counter-clockwise

(**) = Please refer to the indicated pages for codes actually available for each frame size. Some of the options are not available for all frame sizes. In case of brake assembly, standard shaft codes available are N1-F1-D1.

(*) = Space reserved to Calzoni

Speed sensor

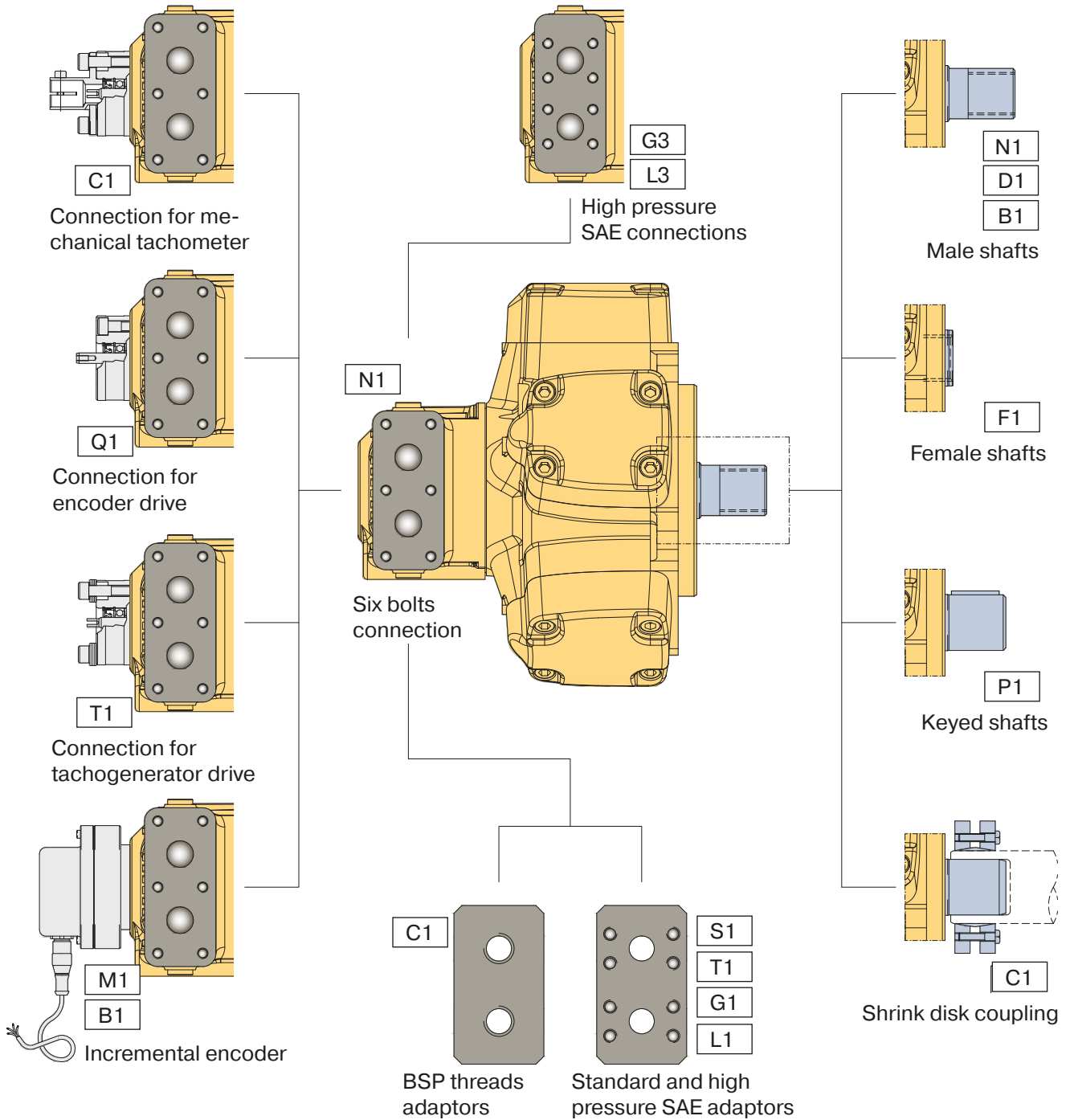
Fluid connections

Output shafts

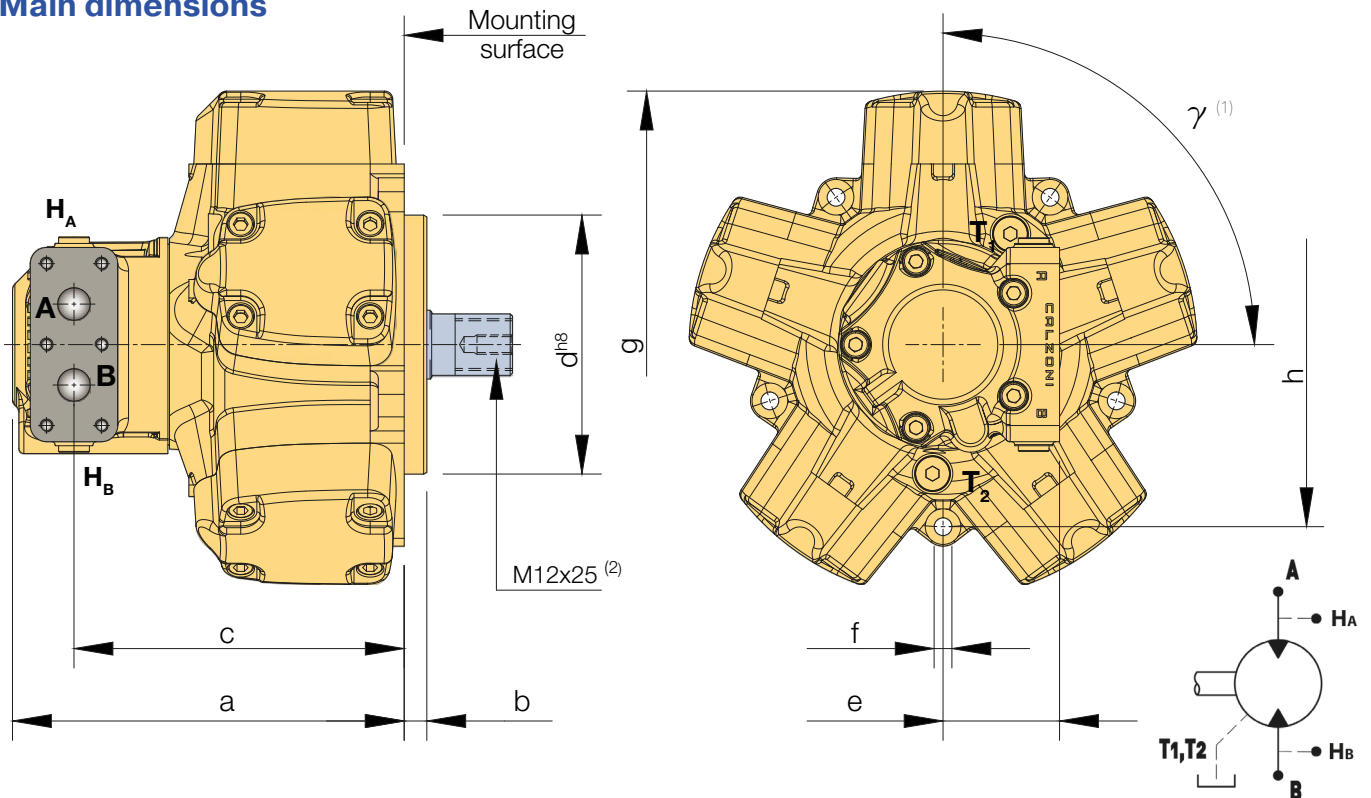
from page 21
to page 23

from page 24
to page 29

from page 16
to page 20



Main dimensions



H_A, H_B = Port 1/4" BSP threads to ISO 228/1 for pressure reading.

1. Port A and B angular position can be modified from the standard angle γ by rotating the rotary valve housing of 72° with respect to the motor case (option on request).
2. The shaft threaded holes must be considered as service holes. In case the holes dimensions required by the application are different from the ones listed here above, please contact the manufacturer (option on request).

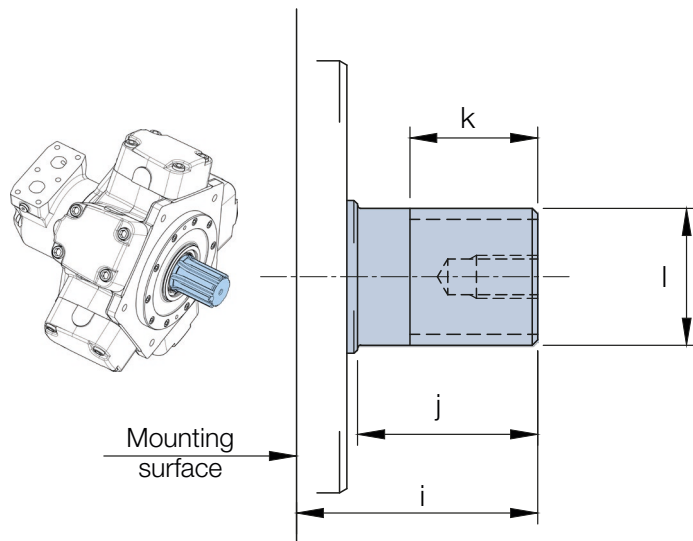
MOTOR TYPE	a	b	c	d ^{h8}	e	f	g	h	γ	T ₁ , T ₂	Mass
MR 75 B											
MR 90 B	219.5 [8.64]	17.5 [0.69]	181.5 [7.15]	166 [6.54]	72 [2.83]	15 [0.59]	269 [10.59]	192 [7.56]	90°	G 3/8	40 kg 88 lb
MR 110 B											
MR 125 C											
MR 160 C	242 [9.53]	14 [0.55]	204 [8.03]	160 [6.30]	72 [2.83]	11 [0.43]	313.6 [12.35]	225 [8.86]	90°	G 3/8	46 kg 101 lb
MR 190 C											
MR 200 D											
MR 250 D							328				
MR 300 D	242 [9.53]	15 [0.59]	204 [8.03]	175 [6.89]	72 [2.83]	11 [0.43]	[12.91]	232 [9.13]	90°	G 3/8	50 kg 110 lb
MRE 330 D											
MRA 400 D							344 [13.54]				

Measures in millimeters [inches in brackets]

MOTOR TYPE	a	b	c	d ^{h8}	e	f	g	h	γ	T ₁ , T ₂	Mass
MR 350 E	270.5 [10.65]	15 [0.59]	235 [9.25]	190 [7.48]	84 [3.31]	13 [0.51]	368 [14.49]	266 [10.47]	90°	G 3/8	77 kg 170 lb
MR 400 E											
MR 450 E											
MRE 500 E											
MR 500 F	290.5 [11.44]	15 [0.59]	255 [10.04]	220 [8.66]	84 [3.31]	13 [0.51]	405 [15.94]	290 [11.42]	90°	G 3/8	97 kg 214 lb
MR 600 F											
MR 700 F											
MRE 800 F											
MR 1100 G	341 [13.43]	20 [0.79]	293 [11.54]	250 [9.84]	105 [4.13]	15 [0.59]	470 [18.50]	330 [12.99]	104°	G 1/2	140 kg 309 lb
MRE 1400 G											
MR 1600 H	374 [14.72]	21 [0.83]	326 [12.83]	290 [11.42]	105 [4.13]	17 [0.67]	558 [21.97]	380 [14.96]	90°	G 1/2	209 kg 460 lb
MR 1800 H											
MRE 2100 H											
MR 2400 I	466 [18.35]	24 [0.94]	392 [15.43]	335 [13.19]	123 [4.84]	19 [0.75]	642 [25.28]	440 [17.30]	90°	G 1/2	325 kg 716 lb
MR 2800 I											
MRE 3100 I											
MRA 3500 I											
MR 3600 L	489.5 [19.27]	34 [1.34]	418.5 [16.48]	400 [15.75]	123 [4.84]	23 [0.91]	766 [30.16]	540 [21.26]	108°	G 1/2	508 kg 1120 lb
MR 4100 L											
MR 4500 L											
MRE 5400 L											
MR 6500 M	566 [22.28]	37 [1.46]	495 [19.49]	450 [17.72]	123 [4.84]	25 [0.98]	864 [34.02]	600 [23.62]	108°	G 1/2	800 kg 1764 lb
MR 7000 M											
MRE 8200 M											
MRA 9000 M											

Measures in millimeters [inches in brackets]

Male shafts



Code	Output shaft
N1	Splined male shaft, according to standard DIN 5463
D1	Splined male shaft, according to standard DIN 5480
B1	Splined male shaft, according to standard BS 3550

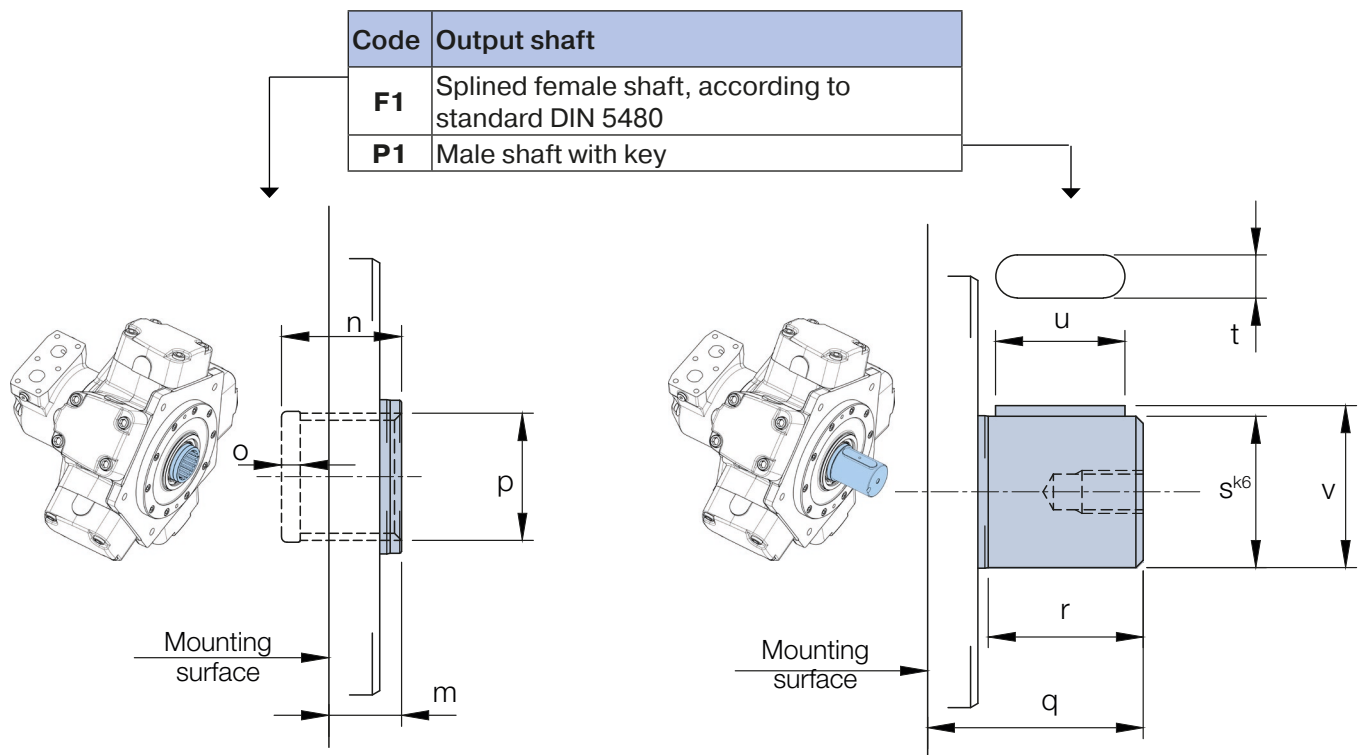
MOTOR TYPE	Option code "N1" (standard DIN 5463)				Option code "D1" (standard DIN 5480)		Option code "B1" (standard BS 3550)	
	i	j	k	l	k	l	k	l
MR 75 B	81.0 [3.19]	44.8 [1.76]	31.5 [1.24]	B6x28x34	31.5 [1.24]	W35x2x16-8e	31.5 [1.24]	12/24-17
MR 90 B								
MR 110 B								
MR 125 C	67 [2.64]	50 [1.97]	35.5 [1.40]	B8x32x38	35.5 [1.40]	W38x2x18-8e	35.5 [1.40]	12/24-17
MR 160 C								
MR 190 C								
MR 200 D	81 [3.19]	60 [2.36]	46 [1.81]	B8x42x48	45 [1.77]	W48x2x22-8e	46 [1.81]	12/24-21
MR 250 D								
MR 300 D								
MRE 330 D								
MRA 400 D								
MR 350 E	97 [3.82]	74 [2.91]	56.5 [2.22]	B8x46x54	61 [2.40]	W55x3x17-8e	60 [2.36]	8/16-17
MR 400 E								
MR 450 E								
MRE 500 E								

Measures in millimeters [inches in brackets]

MOTOR TYPE	i	j	Option code "N1" (standard DIN 5463)		Option code "D1" (standard DIN 5480)		Option code "B1" (standard BS 3550)	
			k	l	k	l	k	l
MR 500 F	101 [3.98]	78 [3.07]	62 [2.44]	B8x52x60	62 [2.44]	W60x3x18-8e	62 [2.44]	8/16-17
MR 600 F								
MR 700 F								
MRE 800 F								
MR 1100 G	117 [4.61]	88 [3.46]	69 [2.72]	B8x62x72	67 [2.64]	W70x3x22-8e	72 [2.83]	6/12-14
MRE 1400 G								
MR 1600 H	132 [5.20]	100 [3.94]	79 [3.11]	B10x72x82	76 [2.99]	W80x3x25-8e	80 [3.15]	6/12-20
MR 1800 H								
MRE 2100 H								
MR 2400 I	153 [6.02]	120 [4.72]	99 [3.90]	B10x82x92	76 [2.99]	W90x4x21-8e	100 [3.94]	6/12-20
MR 2800 I								
MRE 3100 I								
MRA 3500 I								
MR 3600 L	210 [8.27]	173 [6.81]	144 [5.67]	B10x102x112	142.5 [5.61]	W110x4x26-8	144 [5.67]	6/12-20
MR 4100 L								
MR 4500 L								
MRE 5400 L								
MR 6500 M	230 [9.06]	188 [7.40]	150 [5.91]	B10x112x125	153 [6.02]	W120x4x28-8e	153 [6.02]	6/12-26
MR 7000 M								
MRE 8200 M								
MRA 9000 M								

Measures in millimeters [inches in brackets]

Female and keyed shafts



MOTOR TYPE	Female shafts - Option code "F1" (standard DIN 5480)				Keyed shafts - Option code "P1"					
	m	n	o	p	q	r	s ^{k6}	t	u	v
MR 75 B	26.5 [1.04]	32.5 [1.28]	5.2 [0.20]	N35x2x16-9H	81.0 [3.19]	50 [1.97]	40 [1.57]	12 [0.47]	45 [1.77]	43 [1.69]
MR 90 B										
MR 110 B										
MR 125 C	14 [0.55]	33 [1.30]	5.2 [0.20]	N35x2x16-9H	67 [2.64]	50 [1.97]	40 [1.57]	12 [0.47]	45 [1.77]	43 [1.69]
MR 160 C										
MR 190 C										
MR 200 D	27 [1.06]	41 [1.61]	5.2 [0.20]	N40x2x18-9H	81 [3.19]	60 [2.36]	50 [1.97]	14 [0.55]	56 [2.20]	53.5 [2.11]
MR 250 D										
MR 300 D										
MRE 330 D										
MRA 400 D										

Measures in millimeters [inches in brackets]

MOTOR TYPE	Female shafts - Option code "F1" (standard DIN 5480)				Keyed shafts - Option code "P1"					
	m	n	o	p	q	r	s ^{k6}	t	u	v
MR 350 E	28 [1.10]	43 [1.69]	5.2 [0.20]	N47x2x22-9H	97 [3.82]	74 [2.91]	55 [2.17]	16 [0.63]	70 [2.76]	59 [2.32]
MR 400 E										
MR 450 E										
MRE 500 E										
MR 500 F	28 [1.10]	49 [1.93]	5.2 [0.20]	N55x3x17-9H	101 [3.98]	78 [3.07]	60 [2.36]	18 [0.71]	70 [2.76]	64 [2.52]
MR 600 F										
MR 700 F										
MRE 800 F										
MR 1100 G	38 [1.50]	58 [2.28]	8 [0.31]	N65x3x20-9H	117 [4.61]	88 [3.46]	70 [2.76]	20 [0.79]	80 [3.15]	74.5 [2.93]
MRE 1400 G										
MR 1600 H	47 [1.85]	65 [2.56]	8 [0.31]	N75x3x24-9H	132 [5.20]	100 [3.94]	80 [3.15]	22 [0.87]	90 [3.54]	85 [3.35]
MR 1800 H										
MRE 2100 H										
MR 2400 I	48 [1.89]	70 [2.76]	8 [0.31]	N85x3x27-9H	153 [6.02]	120 [4.72]	90 [3.54]	25 [0.98]	110 [4.33]	95 [3.74]
MR 2800 I										
MRE 3100 I										
MRA 3500 I										
MR 3600 L	50 [1.97]	82 [3.23]	14 [0.55]	N100x3x32-9H	210 [8.27]	173 [6.81]	110 [4.33]	28 [1.10]	160 [6.30]	116 [4.57]
MR 4100 L										
MR 4500 L										
MRE 5400 L										
MR 6500 M	50 [1.97]	90 [3.54]	14 [0.55]	N110x3x35-9H	230 [9.06]	188 [7.40]	124 ⁽²⁾ [4.88] ₍₂₎	32 [1.26]	180 [7.09]	138 ⁽¹⁾ [5.43] ₍₁₎
MR 7000 M										
MRE 8200 M										
MRA 9000 M										

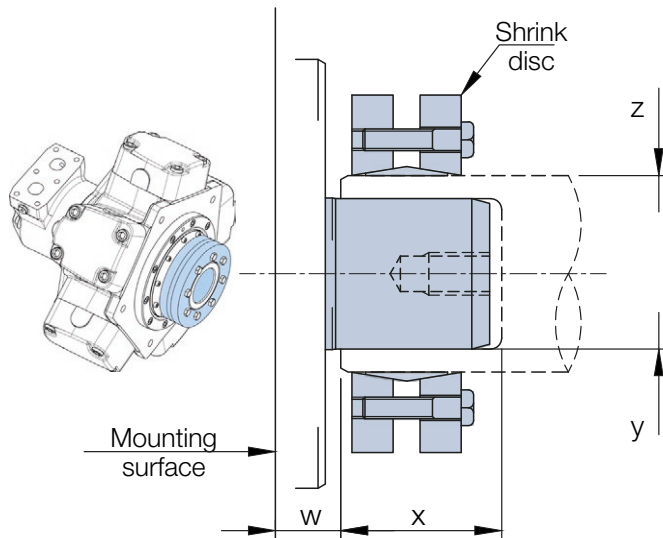
(1) = Two keys at 180°. For frame size M, the dimension "v" refers to the distance between the two keys.

(2) Tolerance for this frame size is b8

Measures in millimeters [inches in brackets]

Female and keyed shafts

Code	Output shaft
C1	Shrink disk coupling

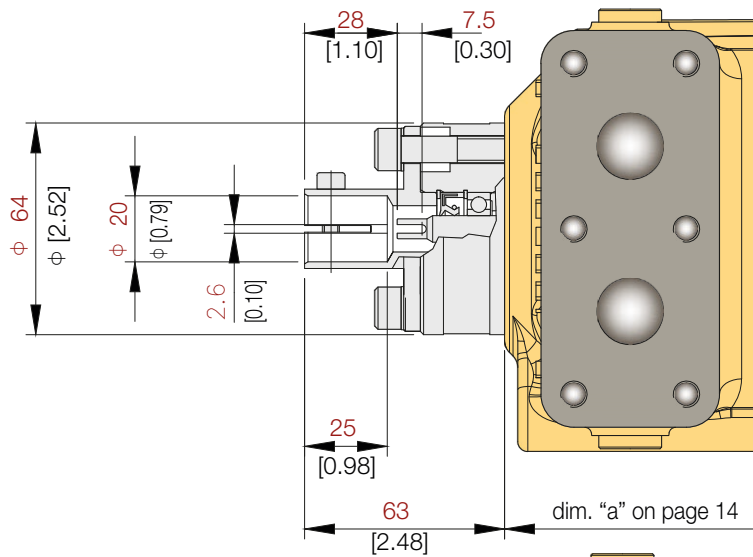


MOTOR TYPE	Shrink disk coupling - Option code "C1"				Shrink code
	w	x	y	z	
MR 75 B	30 [1.18]	55 [2.17]	40 [1.57]	50 [1.97]	603-50
MR 90 B					
MR 110 B					
MR 125 C	19 [0.75]	55 [2.17]	40 [1.57]	50 [1.97]	603-50
MR 160 C					
MR 190 C					
MR 200 D	23 [0.91]	65 [2.56]	50 [1.97]	68 [2.68]	603-68
MR 250 D					
MR 300 D					
MRE 330 D					
MRA 400 D					

MOTOR TYPE	Shrink disk coupling - Option code "C1"				Shrink code
	w	x	y	z	
MR 350 E	25 [0.98]	80 [3.15]	55 [2.17]	75 [2.95]	603-75
MR 400 E					
MR 450 E					
MRE 500 E	25 [0.98]	85 [3.35]	60 [2.36]	80 [3.15]	603-80
MR 500 F					
MR 600 F					
MR 700 F					
MRE 800 F	31 [1.22]	110 [4.33]	80 [3.15]	110 [4.33]	603-110
MR 1100 G					
MRE 1400 G	34 [1.34]	110 [4.33]	80 [3.15]	110 [4.33]	603-110
MR 1600 H					
MR 1800 H					
MRE 2100 H	35 [1.38]	130 [5.12]	90 [3.54]	125 [4.92]	602-125
MR 2400 I					
MR 2800 I					
MRE 3100 I	39 [1.54]	185 [7.28]	110 [4.33]	155 [6.10]	602-155
MRA 3500 I					
MR 3600 L					
MR 4100 L					
MR 4500 L	44 [1.73]	200 [7.87]	125 [4.92]	165 [6.50]	602-165
MRE 5400 L					
MR 6500 M					
MR 7000 M	44 [1.73]	200 [7.87]	125 [4.92]	165 [6.50]	602-165
MRE 8200 M					
MRA 9000 M					

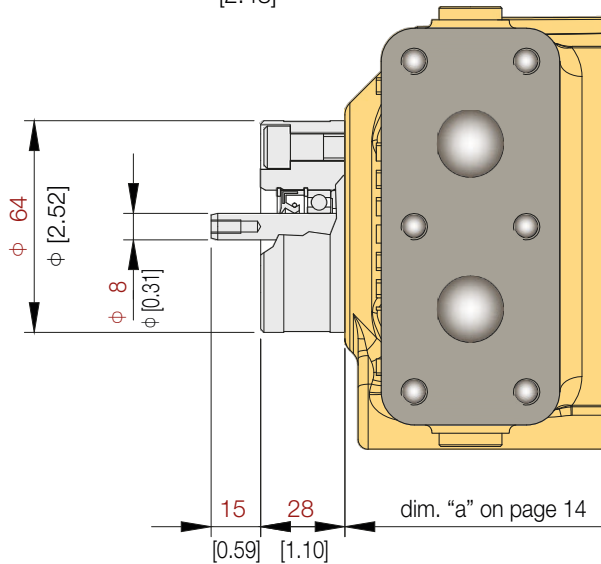
Measures in millimeters [inches in brackets]

Female and keyed shafts



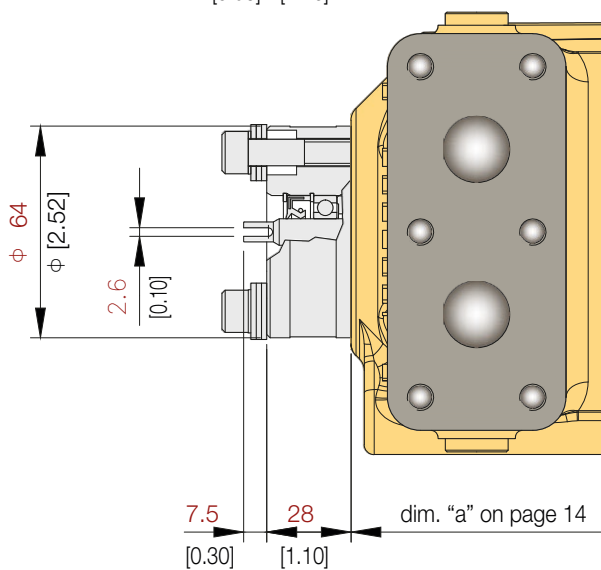
Speed sensor code

C1 Connection for mechanical tachometer



Speed sensor code

Q1 Connection for encoder drive



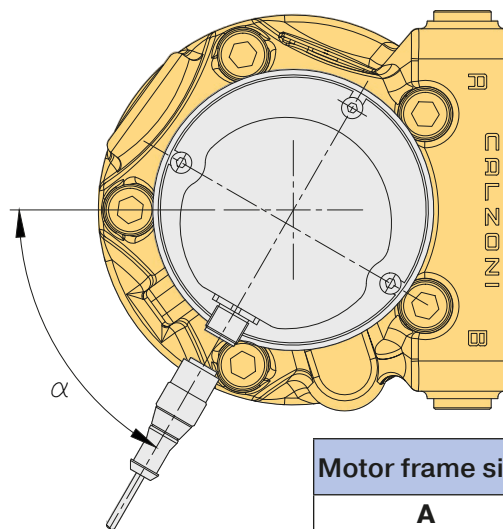
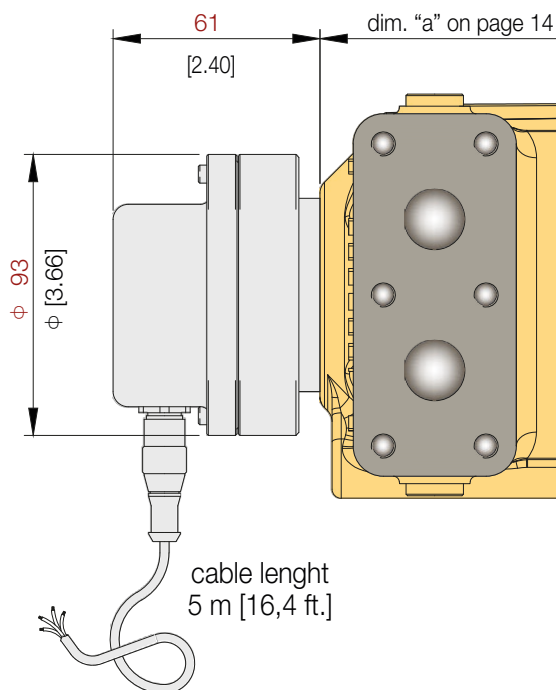
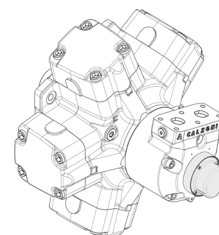
Speed sensor code

T1 Connection for tachogenerator drive

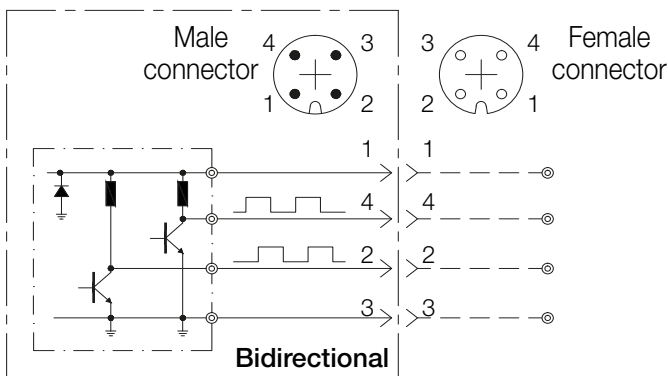
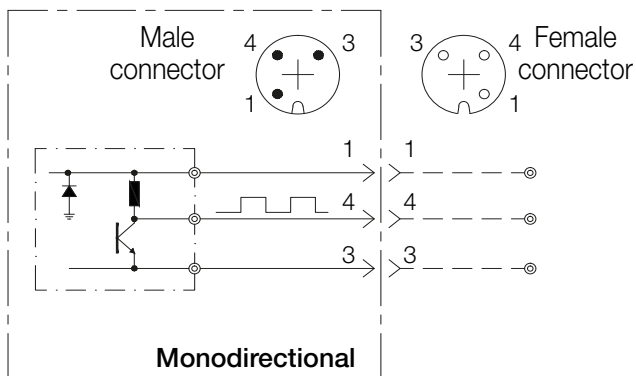
Measures in millimeters [inches in brackets]

Incremental encoders

Code	Speed sensor
B1	Bidirectional incremental encode
M1	Monodirectional incremental encoder



Motor frame size	α
A	126°
B, C, D, E, F	60°
G, H, I, L, M	45°



Color wires and function		
1	Brown	Power Supply
2	White	Output B phase
3	Blue	Ground
4	Black	Output A phase

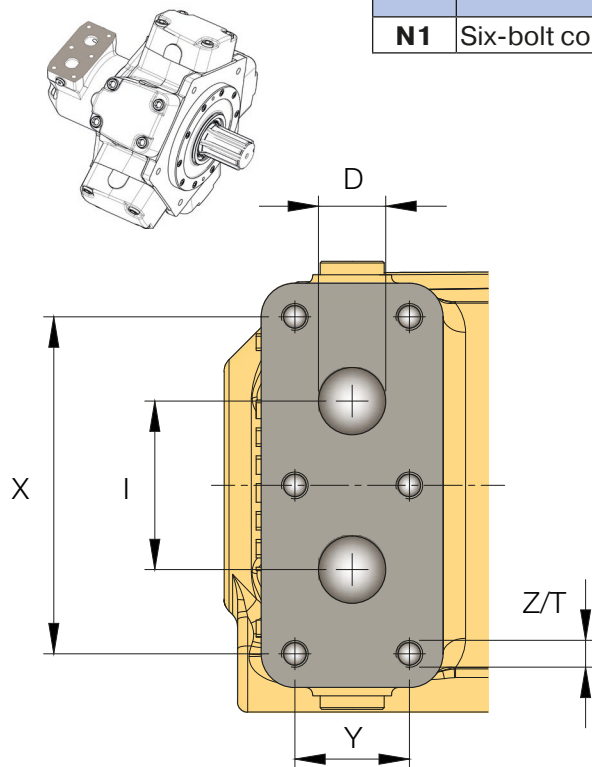
Encoder type	Incremental (absolute on request)
Supply voltage	8 to 24 VDC
Current output	10 mA max
Output signal	A phase (MONODIRECTIONAL) A and B phase (BIDIRECTIONAL)
Number of pulses	500 (other on request)
Operating temperature	from 0°C to 70°C (from 32°F to 158 °F)
Protection degree	IP 67 (with protection and connection assembled)

Measures in millimeters [inches in brackets]

Six-bolt connections

Code	Fluid connections
N1	Six-bolt connection (for manifold)

N.B.: the six-bolt connection can be used to easily assemble a manifold on the motor. Use the six threaded holes to fix the manifold on the motor.



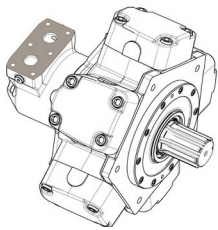
N.B.: Z/T = diameter/depth

MOTOR TYPE	Six-bolt connection - Option code "N1"				
	X	Y	I	D	Z/T
MR 75 B					
MR 90 B					
MR 110 B					
MR 125 C					
MR 160 C					
MR 190 C	100	34	50	20	M8 / 15
MR 200 D	[3.94]	[1.34]	[1.97]	[0.79]	
MR 250 D					
MR 300 D					
MRE 330 D					
MRA 400 D					

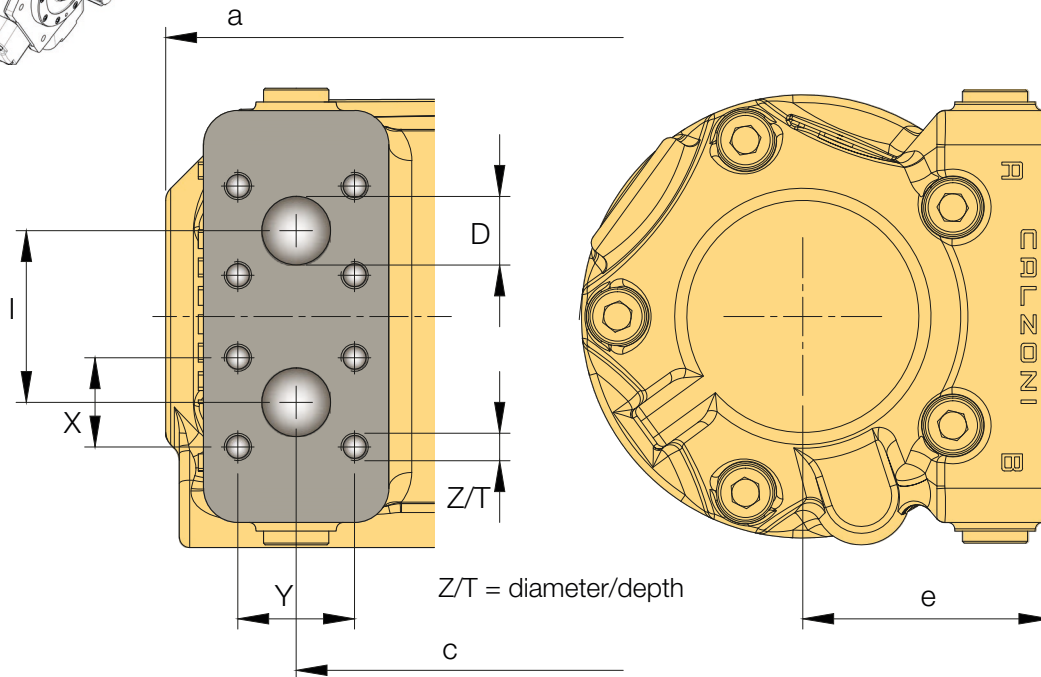
MOTOR TYPE	Six-bolt connection - Option code "N1"				
	X	Y	I	D	Z/T
MR 350 E					
MR 400 E					
MR 450 E					
MRE 500 E	120	40	61	25	M10 / 18
MR 500 F	[4.72]	[1.57]	[2.4]	[0.98]	
MR 600 F					
MR 700 F					
MRE 800 F					
MR 1100 G					
MRE 1400 G					
MR 1600 H	136	50	73	31	M12 / 21
MR 1800 H	[5.35]	[1.97]	[2.87]	[1.22]	
MRE 2100 H					
MR 2400 I					
MR 2800 I	180	62	86	37	M14 / 28
MRE 3100 I	[7.09]	[2.44]	[3.39]	[1.46]	
MRA 3500 I					
MR 3600 L					
MR 4100 L					
MR 4500 L					
MRE 5400 L	200	68	116	38	M16 / 28
MR 6500 M	[7.87]	[2.68]	[4.57]	[1.50]	
MR 7000 M					
MRE 8200 M					
MRA 9000 M					

Measures in millimeters [inches in brackets]

SAE high pressure connections



Code	Fluid connections
G3	High pressure SAE metric (6000 psi)
L3	High pressure SAE UNC (6000 psi)



High pressure (6000 PSI)	
Option code "G3" (SAE metric)	Option code "L3" (SAE UNC)

MOTOR TYPE	a	c	D	e	l	X	Y	u	v
MR 75 B	206.5	176.5							
MR 90 B	[8.13]	[6.95]							
MR 110 B									
MR 125 C									
MR 160 C									
MR 190 C			19	96	75	50.8	23.8	M10 / 25	3/8-16UNC-2B / 0.98
MR 200 D	229	199	[3/4"]	[3.78]	[2.95]	[2.00]	[0.94]		
MR 250 D	[9.02]	[7.83]							
MR 300 D									
MRE 330 D									
MRA 400 D									

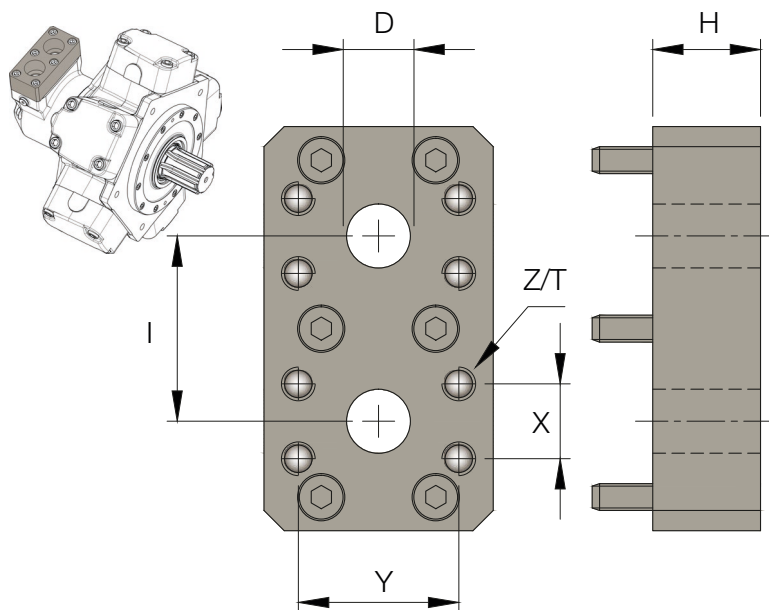
Measures in millimeters [inches in brackets]

MOTOR TYPE	a	c	D	e	l	X	Y	High pressure (6000 PSI)	
								Option code "G3" (SAE metric)	Option code "L3" (SAE UNC)
								u	v
MR 350 E									
MR 400 E	251	221							
MR 450 E	[9.88]	[8.70]							
MRE 500 E									
MR 500 F			19 [3/4"]	96 [3.78]	75 [2.95]	50.8 [2.00]	23.8 [0.94]	M10 / 25	3/8-16UNC-2B / 0.98
MR 600 F	271	241							
MR 700 F	[10.67]	[9.49]							
MRE 800 F									
MR 1100 G ⁽¹⁾									
MRE 1400 G ⁽¹⁾									
MR 1600 H ⁽¹⁾	-	-	-	-	-	-	-	-	-
MR 1800 H ⁽¹⁾									
MRE 2100 H ⁽¹⁾									
MR 2400 I									
MR 2800 I									
MRE 3100 I	-	-	-	-	-	-	-	-	-
MRA 3500 I									
MR 3600 L									
MR 4100 L	489.5	418.5							
MR 4500 L	[19.27]	[16.48]							
MRE 5400 L									
MR 6500 M			50 [2"]	105 [4.13]	116 [4.57]	44.45 [1.75]	96.8 [3.81]	M20 / 34	3/4-10UNC-2B / 1.38
MR 7000 M	566	495							
MRE 8200 M	[22.28]	[19.49]							
MRA 9000 M									

⁽¹⁾ = Not available. See page 28 for alternative option.

Measures in millimeters [inches in brackets]

SAE standard pressure adaptors



Code	Fluid connections
S1	Standard pressure SAE metric
T1	Standard pressure SAE UNC

N.B.: the flange is supplied complete with screws and seals, already assembled on the standard motor six-bolts connection (code N1).

N.B.: Z/T = diameter/depth

MOTOR TYPE	SAE PSI	H	D	I	X	Y	Standard pressure	
							Option code "S1" (SAE metric)	Option code "T1" (SAE UNC)
MR 75 B	5000	38 [1.50]	19 [3/4"]	55 [2.16]	22.2 [0.87]	47.6 [1.87]	M10 / 25	3/8-16UNC-2B / 0.98
MR 90 B								
MR 110 B								
MR 125 C								
MR 160 C								
MR 190 C								
MR 200 D								
MR 250 D								
MR 300 D								
MRE 330 D								
MRA 400 D								
MR 350 E	5000	39 [1.53]	25 [1"]	62 [2.44]	26.2 [1.03]	52.4 [2.06]	M10 / 25	3/8-16UNC-2B / 0.98
MR 400 E								
MR 450 E								
MRE 500 E								

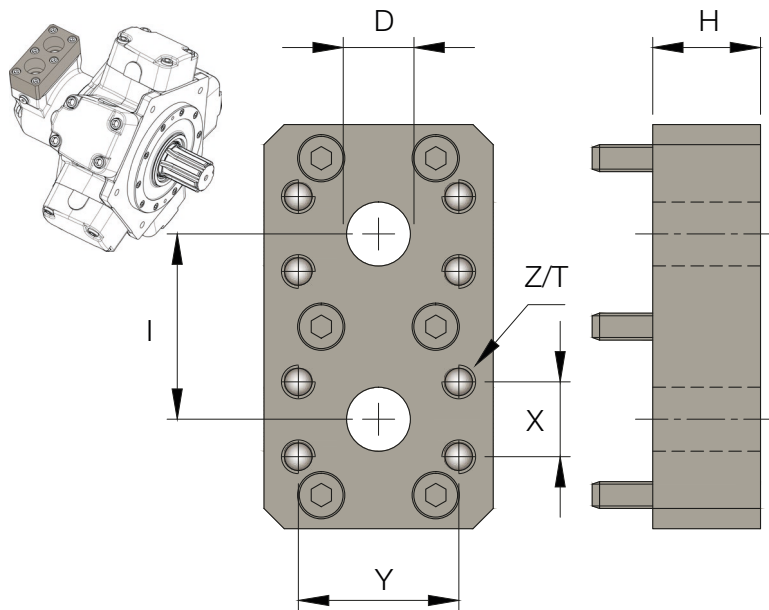
(1) = Integrated into rotary valve housing.

Measures in millimeters [inches in brackets]

MOTOR TYPE	SAE PSI	H	D	I	X	Y	Standard pressure	
							Option code "S1" (SAE metric)	Option code "T1" (SAE UNC)
MR 500 F	5000	39 [1.53]	25 [1"]	62 [2.44]	26.2 [1.03]	52.4 [2.06]	M10 / 25	3/8-16UNC-2B / 0.98
MR 600 F								
MR 700 F								
MRE 800 F								
MR 1100 G	4000	45 [1.77]	31 [1-1/4"]	75 [2.95]	30.2 [1.19]	58.7 [2.31]	M10 / 25	7/16-14UNC-2B / 1.18
MRE 1400 G								
MR 1600 H								
MR 1800 H								
MRE 2100 H	3000	59 [2.32]	37 [1-1/2"]	86 [3.39]	35.7 [1.40]	69.8 [2.75]	M12 / 30	1/2-13UNC-2B / 1.18
MR 2400 I								
MR 2800 I								
MRE 3100 I	3000	58 [2.28]	50 [2"]	112 [4.41]	42.9 [1.69]	77.8 [3.06]	M12 / 30	1/2-13UNC-2B / 1.18
MR 3600 L								
MR 4100 L								
MR 4500 L								
MRE 5400 L								
MR 6500 M								
MR 7000 M								
MRE 8200 M								
MRA 9000 M								

Measures in millimeters [inches in brackets]

SAE high pressure adaptors



Code	Fluid connections
G1	High pressure SAE metric (6000 psi)
L1	High pressure SAE UNC (6000 psi)

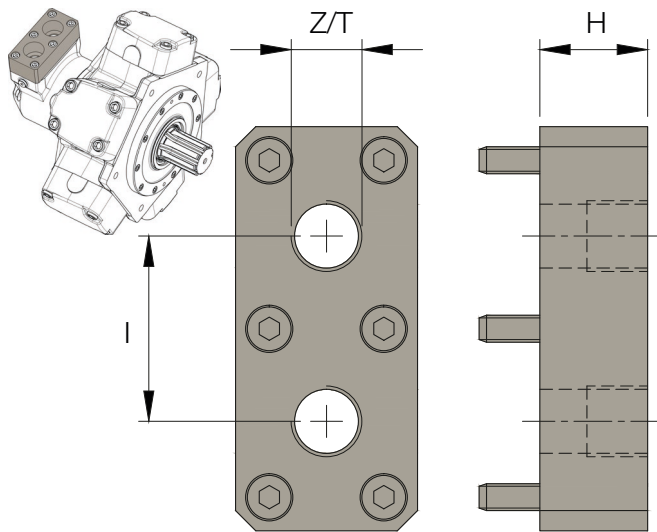
N.B.: the flange is supplied complete with screws and seals, already assembled on the standard motor six-bolts connection (code N1).

N.B.: Z/T = diameter/depth

MOTOR TYPE	SAE PSI	H	D	I	X	Y	Standard pressure	
							Option code "G1" (SAE metric)	Option code "L1" (SAE UNC)
MR 1100 G	6000	45 [1.77]	25 [1"]	71 [2.79]	27.8 [1.09]	57.15 [2.25]	M12 / 30	7/16-14UNC-2B / 1.18
MRE 1400 G								
MR 1600 H								
MR 1800 H								
MRE 2100 H								
MR 2400 I	6000	59 [2.32]	37 [1-1/2"]	100 [3.94]	36.5 [1.44]	79.4 [3.13]	M16 / 30	5/8-11UNC-2B / 1.38
MR 2800 I								
MRE 3100 I								
MRA 3500 I								
MR 3600 L	6000	58 [2.28]	50 [2"]	116 [4.57]	44.45 [1.75]	96.8 [3.81]	M20 / 35	3/4-10UNC-2B / 1.50
MR 4100 L								
MR 4500 L								
MRE 5400 L								
MR 6500 M								
MR 7000 M								
MRE 8200 M								
MRA 9000 M								

Measures in millimeters [inches in brackets]

BSP threads adaptors



Code	Fluid connections
C1	BSP threads (according to ISO 228/1)

N.B.: the flange is supplied complete with screws and seals, already assembled on the standard motor six-bolts connection (code N1).

N.B.: Z/T = diameter/depth

BSP threads flange - Option code "C1"						
MOTOR TYPE	Z/T	H	I			
MR 75 B	G 3/4" / 18	38 [1.50]	50 [1.97]			
MR 90 B						
MR 110 B						
MR 125 C						
MR 160 C						
MR 190 C						
MR 200 D						
MR 250 D						
MR 300 D						
MRE 330 D						
MRA 400 D						
MR 350 E				G 1 1/4" / 22	39 [1.53]	60 [2.36]
MR 400 E						
MR 450 E						
MRE 500 E						

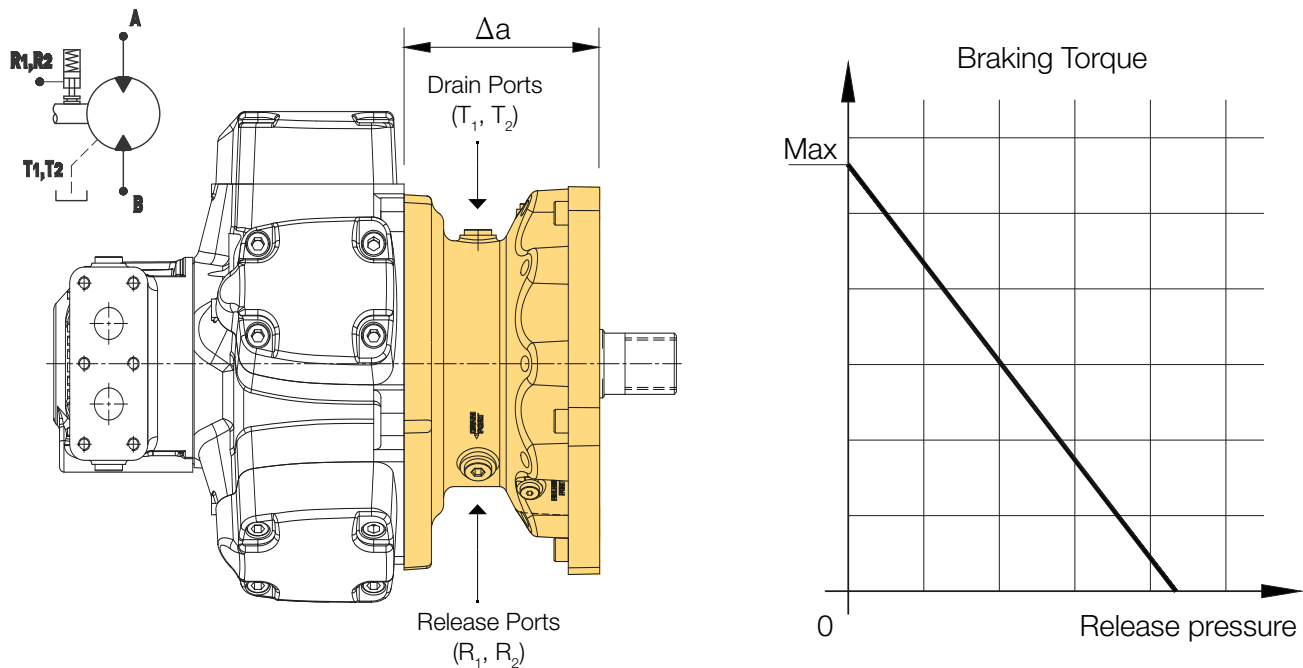
BSP threads flange - Option code "C1"			
MOTOR TYPE	Z/T	H	I
MR 500 F	G 1 1/4" / 22	39 [1.53]	60 [2.36]
MR 600 F			
MR 700 F			
MRE 800 F			
MR 1100 G	G 1 1/2" / 25	45 [1.77]	71 [2.79]
MRE 1400 G			
MR 1600 H			
MR 1800 H			
MRE 2100 H			
MR 2400 I	G 1 1/2" / 25	59 [2.32]	86 [3.39]
MR 2800 I			
MRE 3100 I			
MRA 3500 I			
MR 3600 L			
MR 4100 L			
MR 4500 L			
MRE 5400 L			
MR 6500 M			
MR 7000 M			
MRE 8200 M			
MRA 9000 M			

Measures in millimeters [inches in brackets]

Parking brake

The parking brake is a “spring applied - hydraulic pressure release” multi-disc brake, that has been designed for those applications where it is necessary to hold the system under an external torque without pressure feeding (the brake can be used in dynamic conditions only in case of emergency).

Hydraulic pressure is required to “hold off” the brake. During normal operation the brake is pressurized in the released position, while the maximum braking torque is achieved when the brake is not fed. Any function which reduces the hydraulic system below the release pressure of the brake will cause the brake to be activate.



The release pressure represents the pressure value to completely release the brake (no braking torque). In case of hydraulic motor equipped with parking brake, the brake length (Δa) and the brake mass (Δm) have to be added to the correspondig motor values (without brake) to calculate the total lenght and mass.

MOTOR TYPE	Δa	Δm	Static Braking Torque ($\mu=0.14$)		Dynamic Braking Torque ($\mu=0.09$)		Release Pressure
			Max	Min	Max	Min	
MR 125 C	135 mm 5.3 in	27 kg 59 lb	1600 N.m	1400 N.m	1100 N.m	950 N.m	28 bar 406 psi
MR 160 C			1180 lbf.ft	1030 lbf.ft	810 lbf.ft	700 lbf.ft	
MR 190 C							
MR 200 D		29 kg 64 lb	2150 N.m	1800 N.m	1450 N.m	1250 N.m	
MR 250 D			1585 lbf.ft	1330 lbf.ft	1070 lbf.ft	920 lbf.ft	
MR 300 D							
MRE 330 D							
MRA 400 D							

MOTOR TYPE	Δa	Δm	Static Braking Torque ($\mu=0.14$)		Dynamic Braking Torque ($\mu=0.09$)		Release Pressure
			Max	Min	Max	Min	
MR 350 E	172 mm 18.6 in	45 kg 99 lb	3400 N.m 2510 lbf.ft	3100 N.m 2285 lbf.ft	2300 N.m 1695 lbf.ft	2100 N.m 1550 lbf.ft	30 bar 435 psi
MR 400 E							
MR 450 E							
MRE 500 E		60 kg 132 lb	4800 N.m 3540 lbf.ft	4100 N.m 3025 lbf.ft	3200 N.m 2360 lbf.ft	2800 N.m 2065 lbf.ft	
MR 600 F							
MR 700 F							
MRE 800 F							
MR 1100 G	193 mm 7.6 in	78 kg 172 lb	7500 N.m 5530 lbf.ft	6100 N.m 4500 lbf.ft	5000 N.m 3690 lbf.ft	4100 N.m 3020 lbf.ft	28 bar 406 psi
MRE 1400 G							
MR 1600 H	211 mm 8.3 in	176 kg 388 lb	13200 N.m 9735 lbf.ft	103900 N.m 8040 lbf.ft	8500 N.m 6270 lbf.ft	7000 N.m 5160 lbf.ft	27 bar 392 psi
MR 1800 H							
MRE 2100 H							
MR 2400 I	222 mm 8.74 in	225 kg 496 lb	20000 N.m 14750 lbf.ft	16200 N.m 11950 lbf.ft	12900 N.m 9515 lbf.ft	10400 N.m 7670 lbf.ft	30 bar 435 psi
MR 2800 I							
MRE 3100 I							
MRA 3500 I							
MR 3600 L	287 mm 11.3 in	460 kg 1014 lb	34300 N.m 25300 lbf.ft	28500 N.m 21020 lbf.ft	22100 N.m 16300 lbf.ft	18400 N.m 13570 lbf.ft	
MR 4100 L							
MR 4500 L							
MRE 5400 L							
MR 6500 M	340 mm 13.4 in	652 kg 1437 lb	51400 N.m 37910 lbf.ft	40500 N.m 29870 lbf.ft	33200 N.m 24490 lbf.ft	26200 N.m 19325 lbf.ft	
MR 7000 M							
MRE 8200 M							
MRA 9000 M							

Important notes:

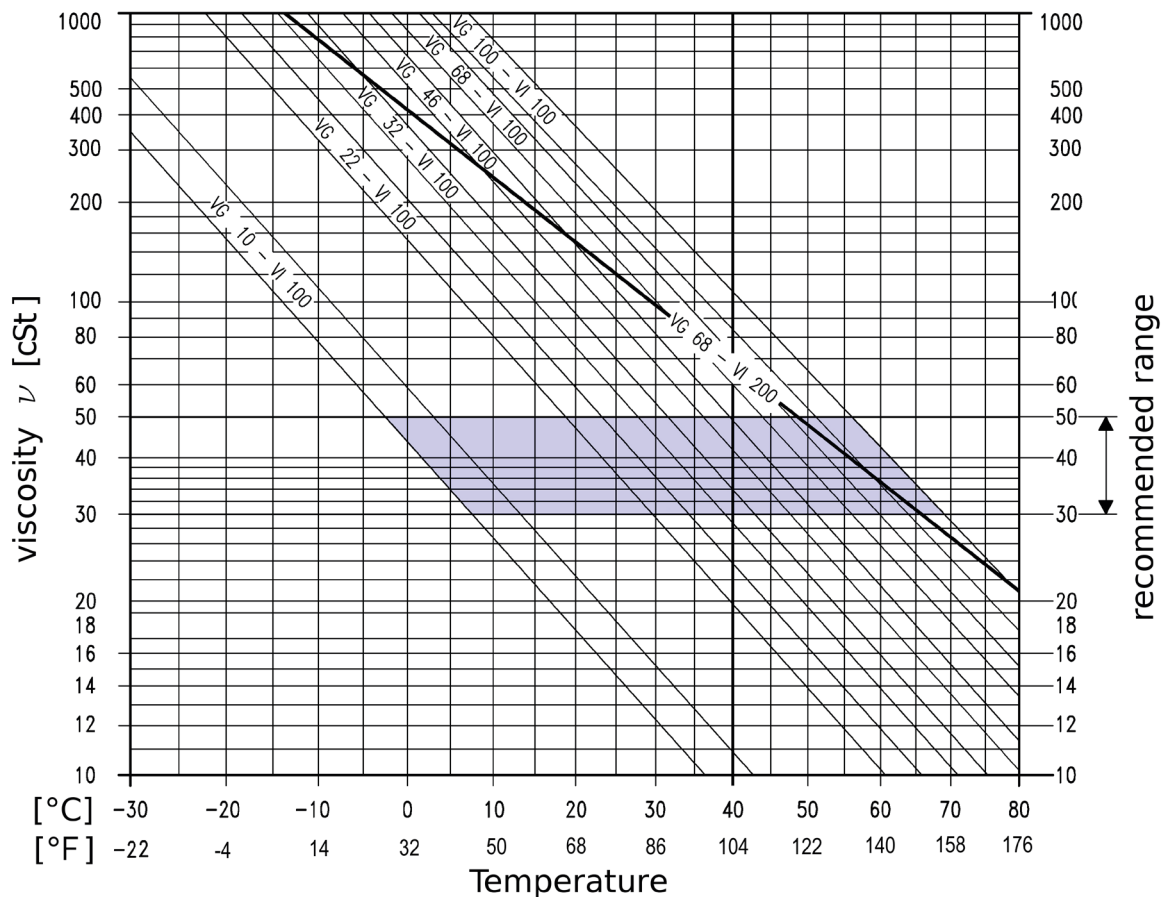
- For correct braking operations, the hydraulic release pressure to the brake must fall to zero. Any residual release back pressure applied to the brake degrades braking torque and may result in hazardous conditions;
- Please contact Calzoni in case axial or radial loads are be applied to the brake shaft;
- Refer to catalogue CH-B-504.0/EN for complete brakes list and options.

Mineral-oil based fluids

Performance data of this catalogue is valid when motors are operating with mineral oil based fluids, according to DIN 51525. The fluid should contain anti-oxidant, antifoam, demulsifying and antiwear or EP additives.

The viscosity, quality and cleanliness of operating fluids are decisive factors in determining the reliability, performance and life-time of an hydraulic component.

The maximum life-time and performance are achieved within the recommended viscosity range of 30 - 50 cSt. For applications that go beyond this range, we recommend to contact the manufacturer of the motor.



The viscosity refers both to the temperature of the fluid entering the motor and to the temperature inside the motor housing (case temperature). Based on the maximum operating temperature, we recommend to select the fluid so that its viscosity remains within the recommended viscosity range.

For critical operation conditions the following values apply:

- $V_{\min.\text{peak}}$ = 10 cSt in emergency, short term;
- $V_{\min.\text{cont.}}$ = 18 cSt for continuous operation at reduced performances;
- $V_{\max.}$ = 1000 cSt short term upon cold start.

The drain oil temperature is influenced by pressure and speed and is usually higher than the circuit temperature or the tank temperature. At no point in the motor, however, may the temperature be higher than 80°C (max admitted temperature).

In case of operating conditions with high oil temperature or high ambient temperature, we recommend to use “FPM” seals (option code “V1”). These “FPM” seals should be also used with HFD fluids.

If these viscosity requirements cannot be met, due to extreme operating parameters or high environment temperature, motor case flushing is strictly recommended in order to operate within the viscosity limits. Should it be absolutely necessary to use a viscosity exceeding the recommended range, please contact Calzoni. Filtration improves the cleanliness level of the hydraulic fluid and increases the service life of the motor. To ensure the functional reliability of the motor, a cleanliness level of at least 20/18/15 to ISO 4406 (equivalent to level 9 according to NAS 1638 or 6 to SAE 749) is to be maintained in the circuit.

Other fluids

Calzoni radial piston motors can operate successfully on a wide variety of fluids. As a general guide de-rating factors are set out below:

Class	Description	Pressure	Speed	Power	Temperature	
					Max	Ideal
-	-	(% of nominal pressure)	(% of max speed)	(% of max power)		
HFA	Oil-water emulsion	50	50	25	50 °C 122 °F	40 °C 104 °F
HFB	Water-oil emulsion	80	80	60	60 °C 140 °F	45 °C 113 °F
HFC	Water-based solution (mostly with glycol)	60	60	30	60 °C 140 °F	45 °C 113 °F
HFD	Synthetic fluids (water free)	100	100	100	80 °C 176 °F	50 °C 122 °F

The use of synthetic fluids (type HFD) is allowed with motors supplied with seals in “FPM” material (pls. contact Calzoni about the use of motors with synthetic fluids). The use of synthetic fluids (type HFD) does not imply any motor performances reduction.

Please specify make and type of fluid on your order if other than petroleum oil.

Operating diagrams

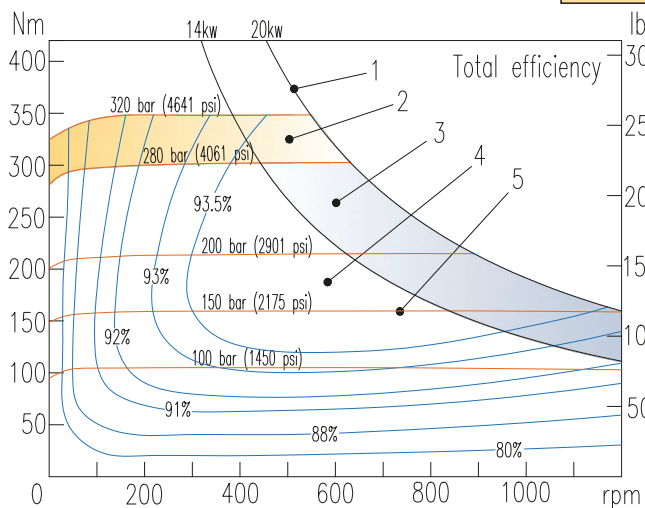
The below diagrams show, for each motor, the estimated motor working parameters corresponding to the requested values of speed (x-axis) and torque (ordinate axis). All the values are related to a mineral oil at 36 cSt viscosity and a fluid temperature of 45° C (113°F), with no pressure in the return line.

Each diagram has the following label definitions:

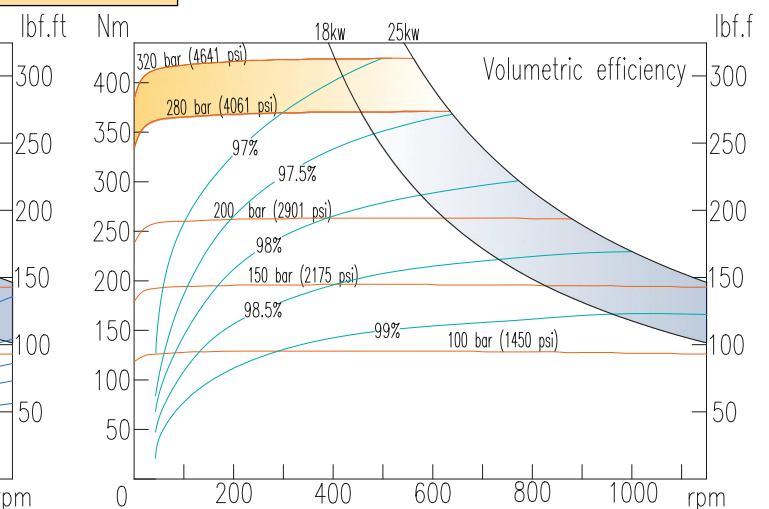
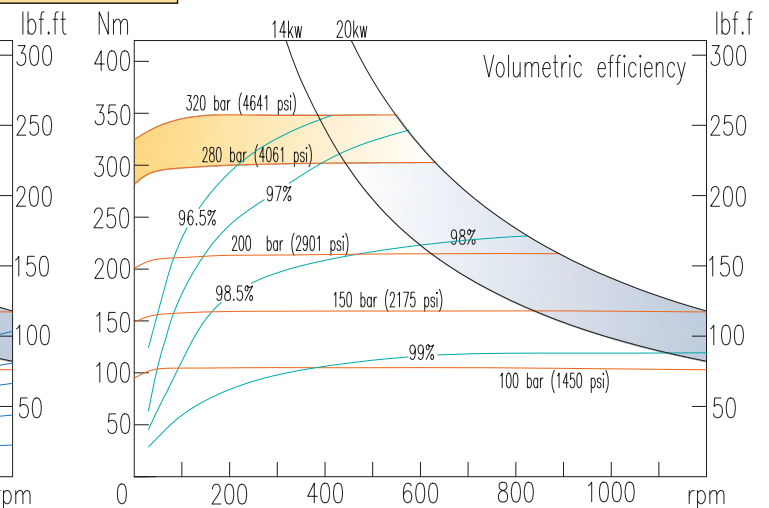
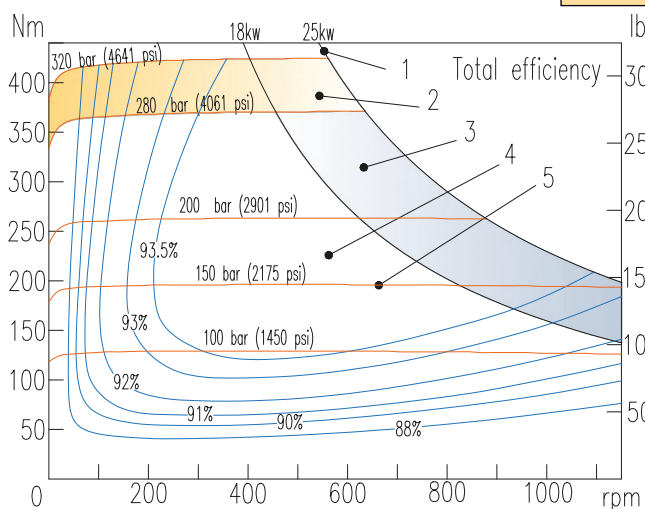
1. Maximum output power (with and without flushing);
2. ntermittent operating area;
3. Continuous operating area with flushing;
4. Continuous operating area without flushing;
5. Constant pressure curves.

For each motor, the curves in blue color in the left diagrams refer to the motor total efficiency η_T and the curves in light blue color in the right diagrams refer to the volumetric efficiency η_V . The estimated mechanical efficiency η_M can be calculated by dividing the total efficiency by the volumetric efficiency value ($\eta_M = \eta_T / \eta_V$).

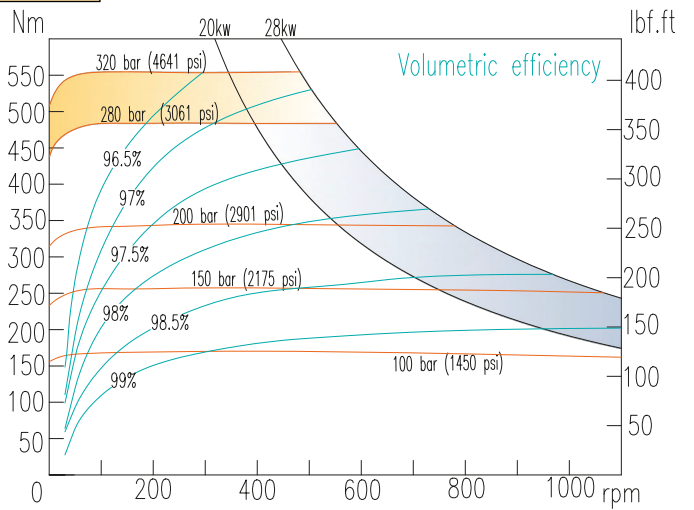
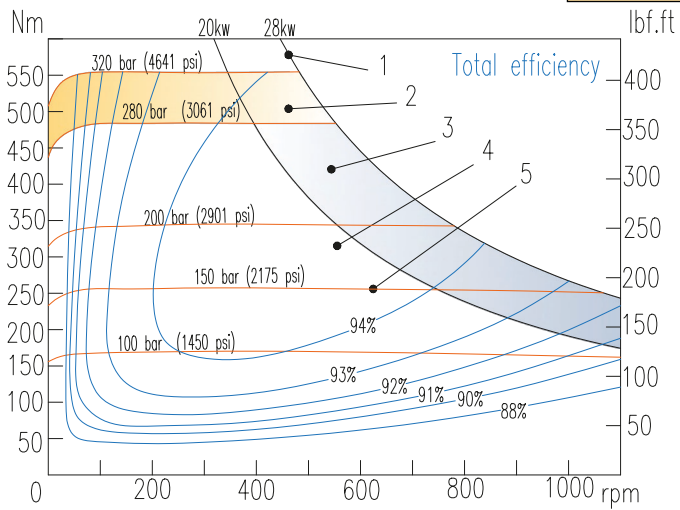
MR75B



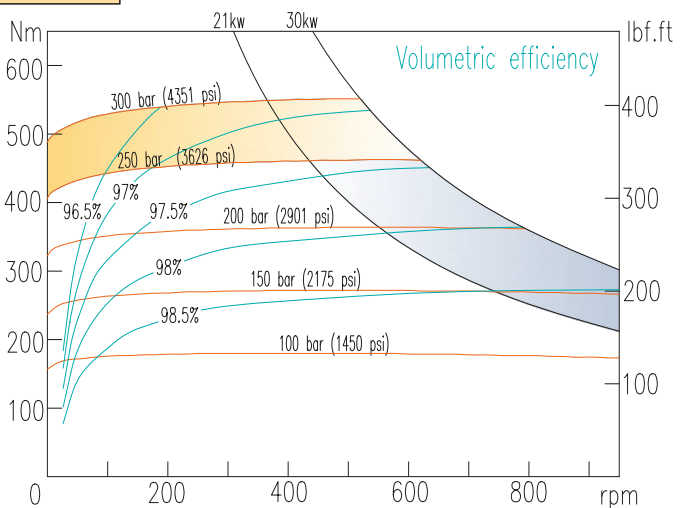
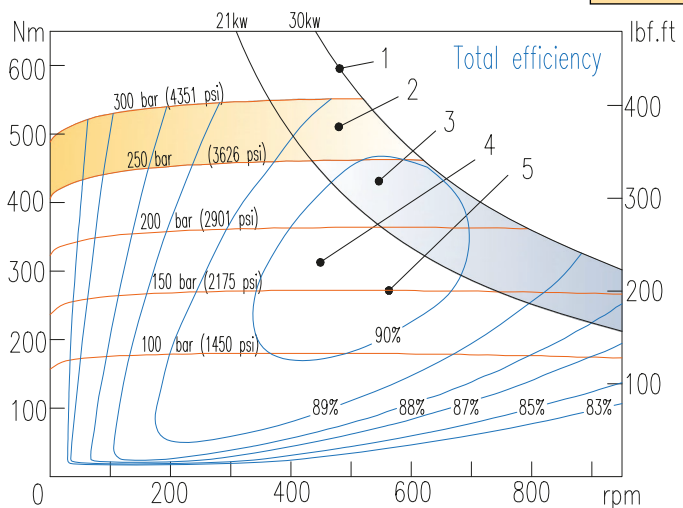
MR90B



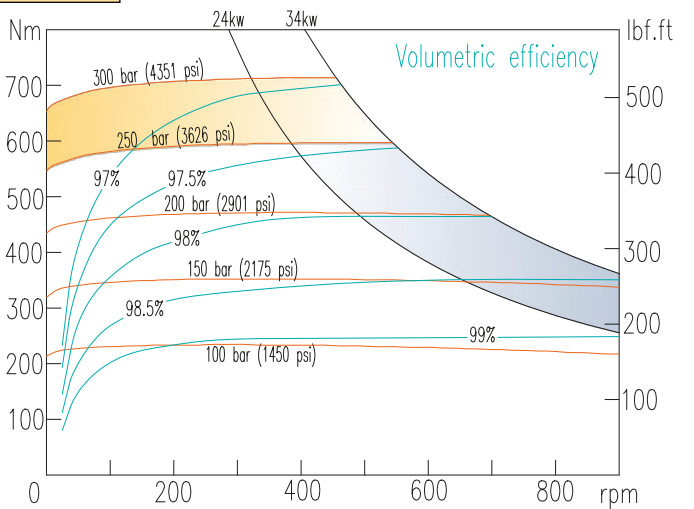
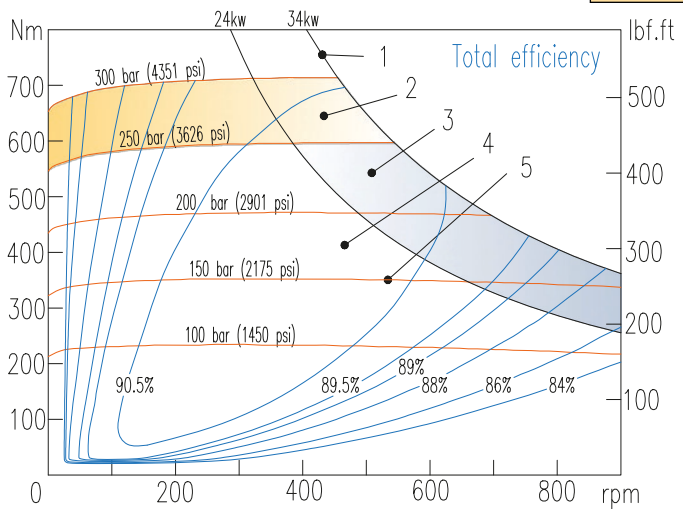
MR110B



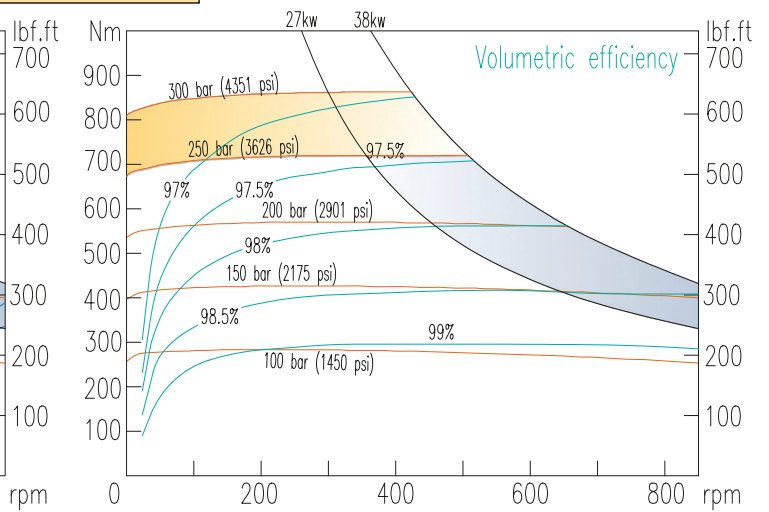
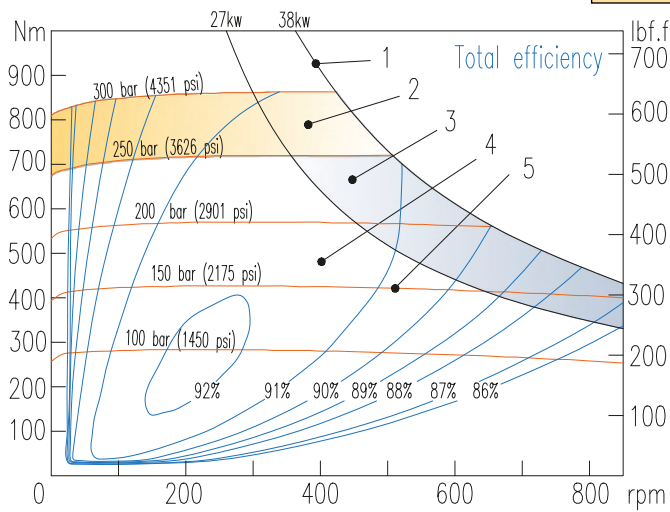
MR125C



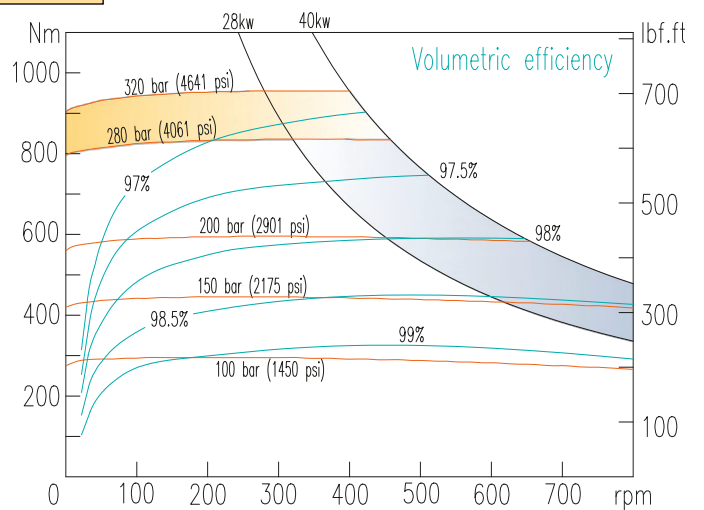
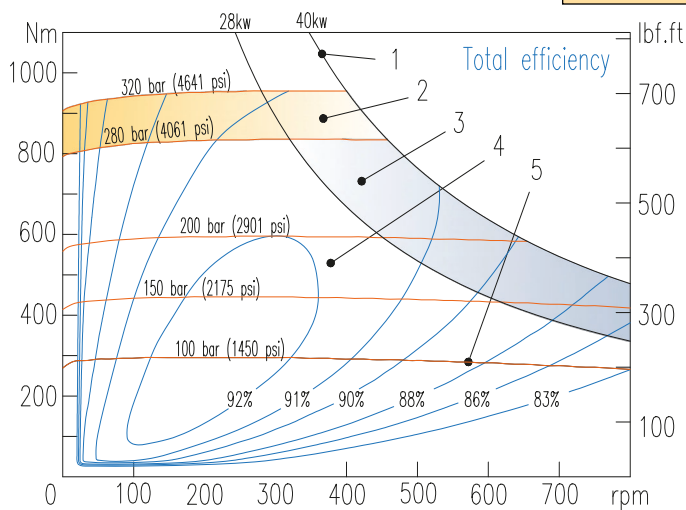
MR160C



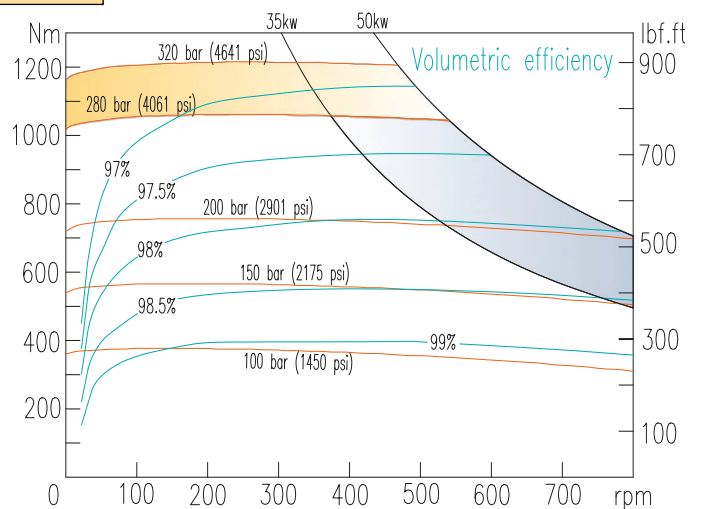
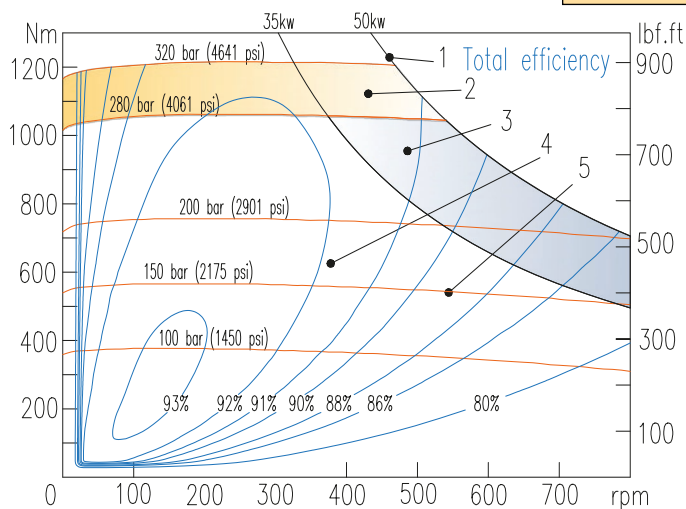
MR190C



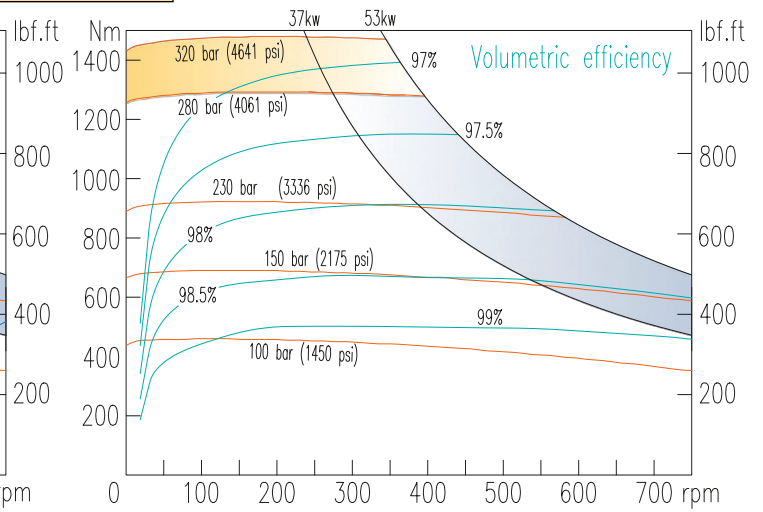
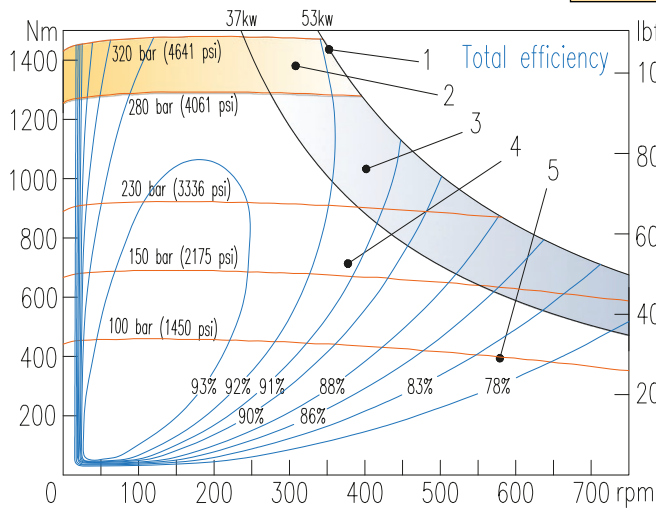
MR200D



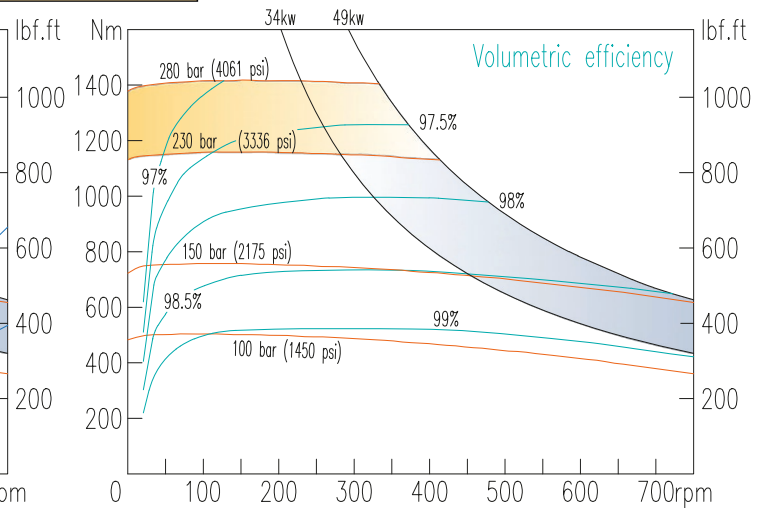
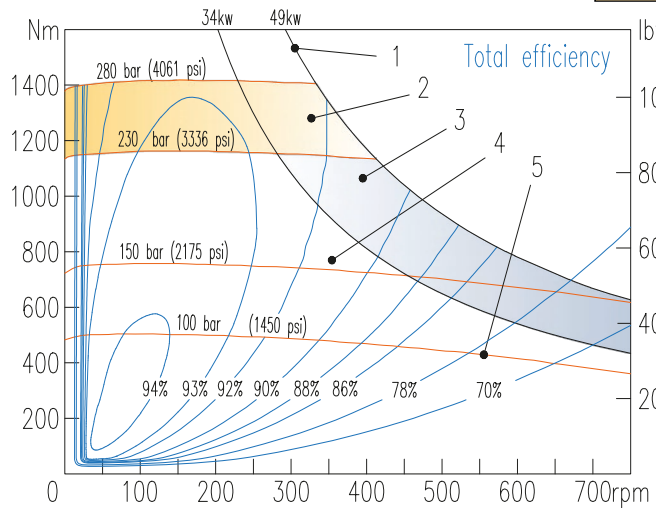
MR250D



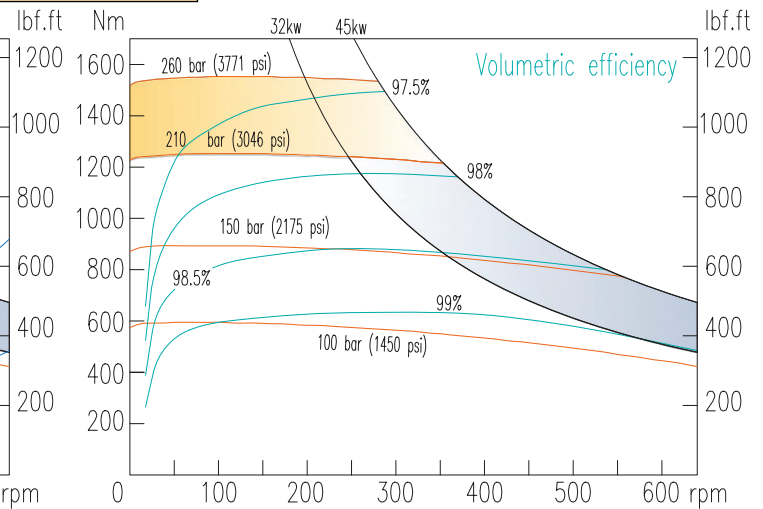
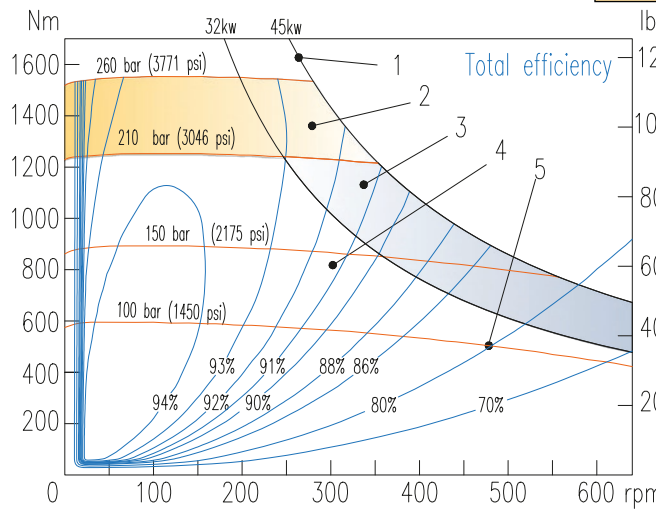
MR300D



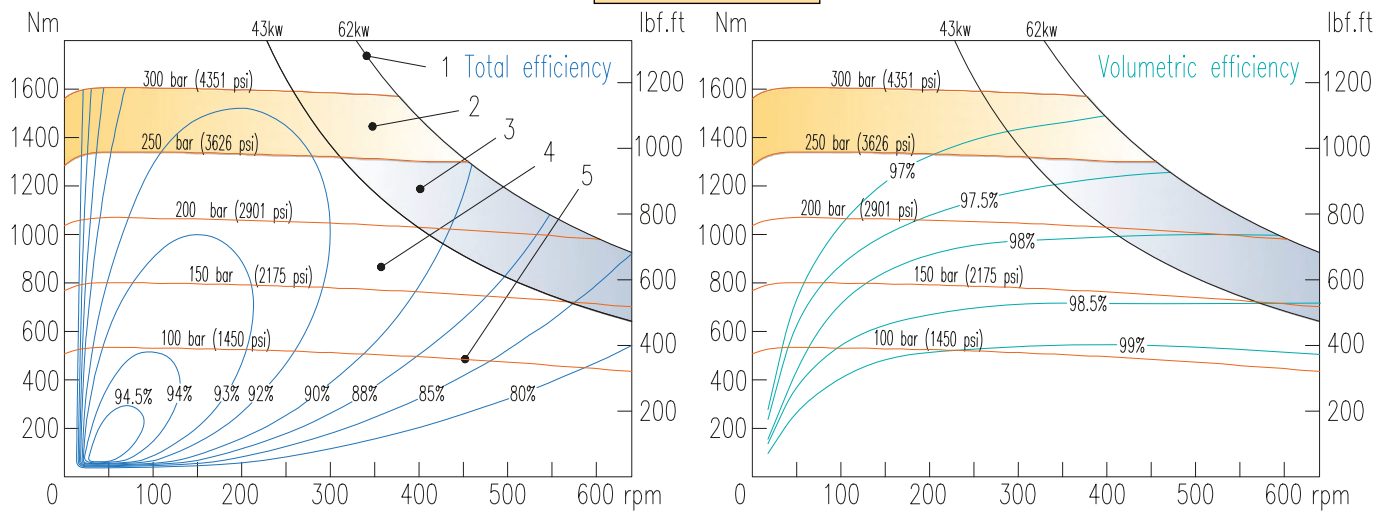
MRE300D



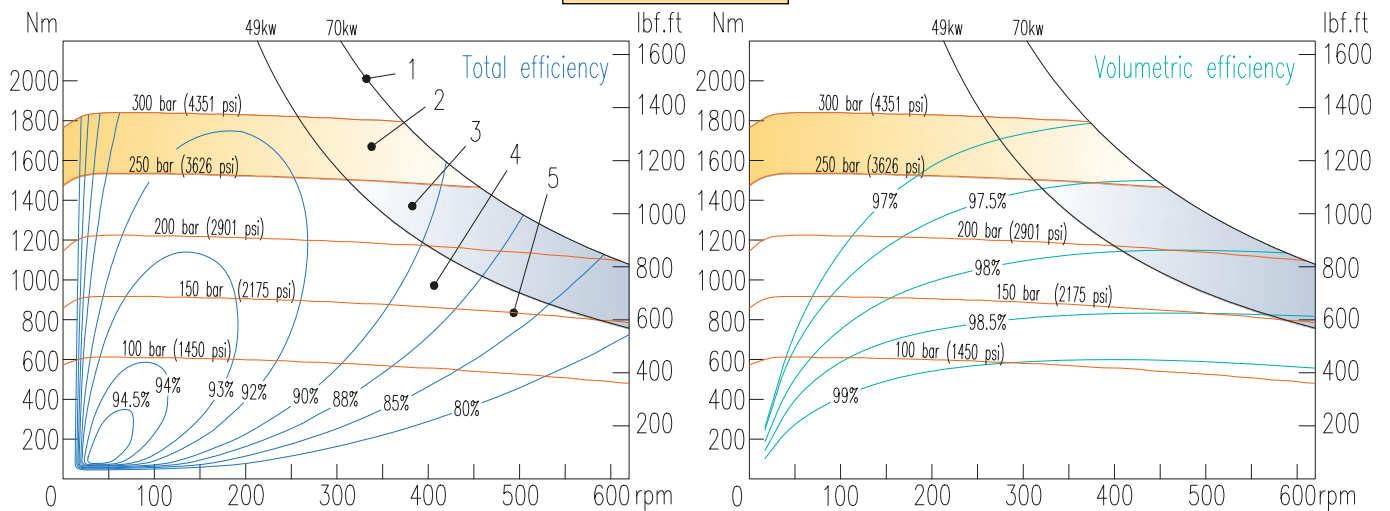
MRA400D



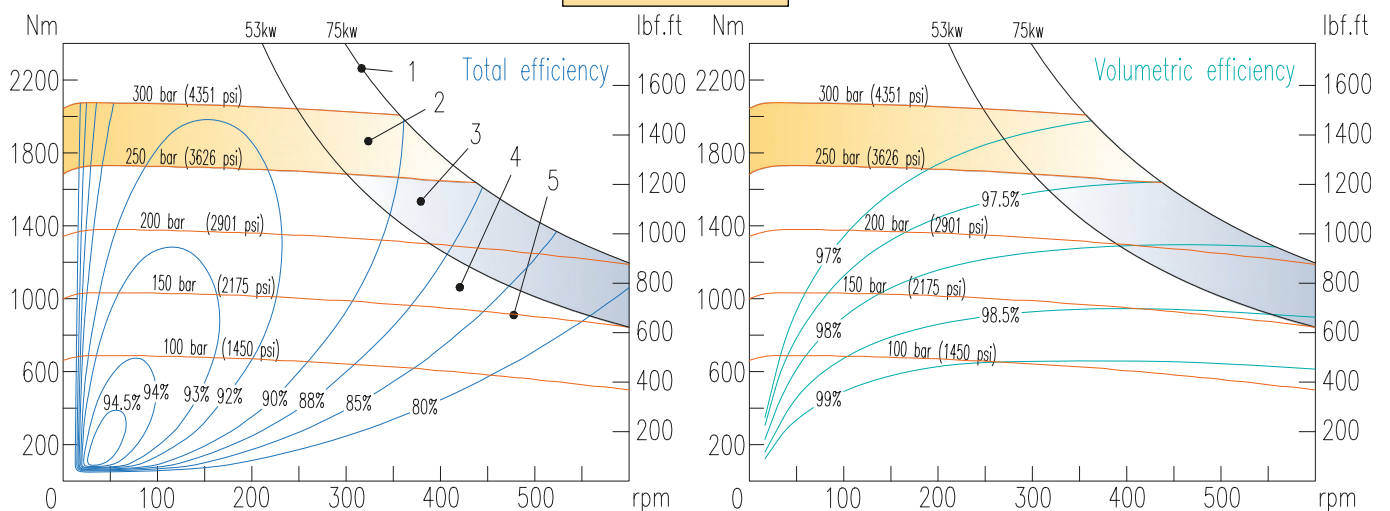
MR350E



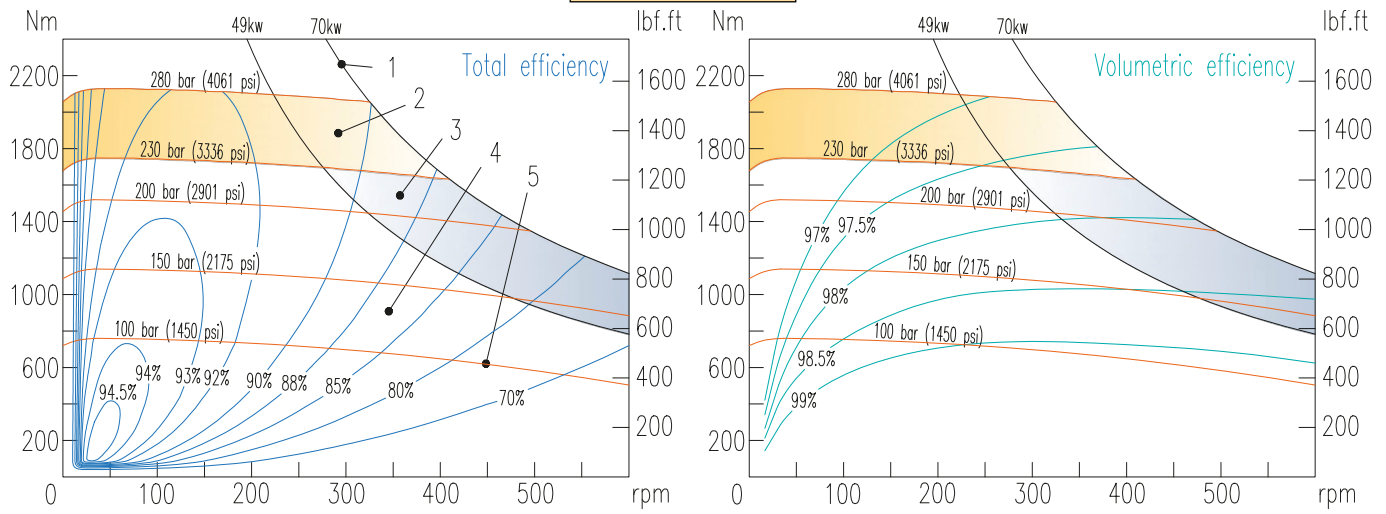
MR400E



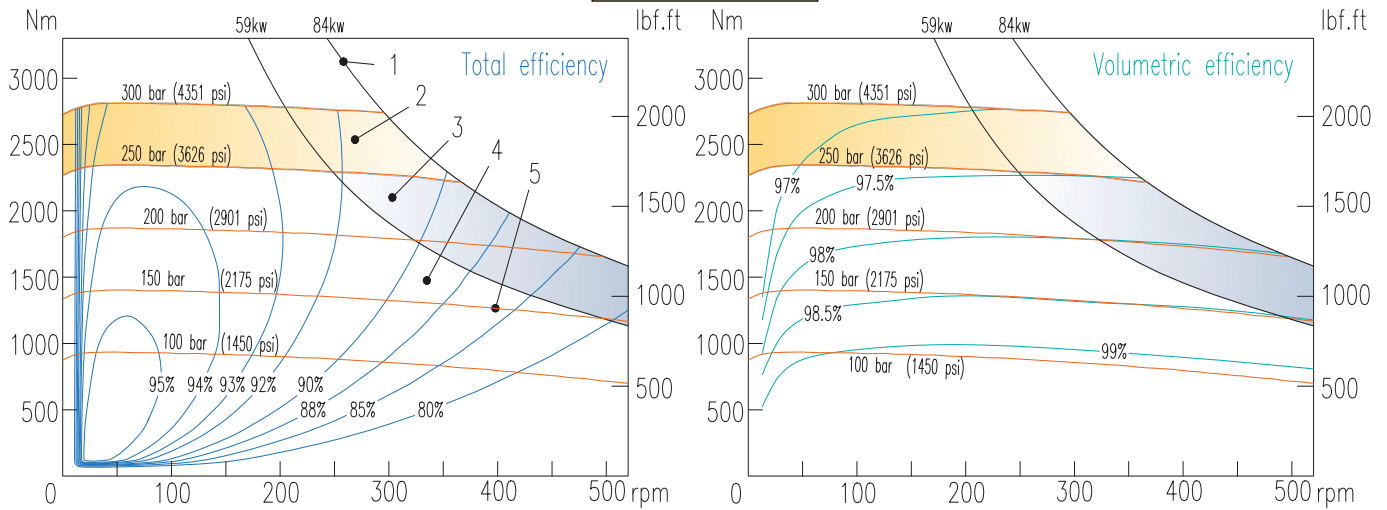
MR450E



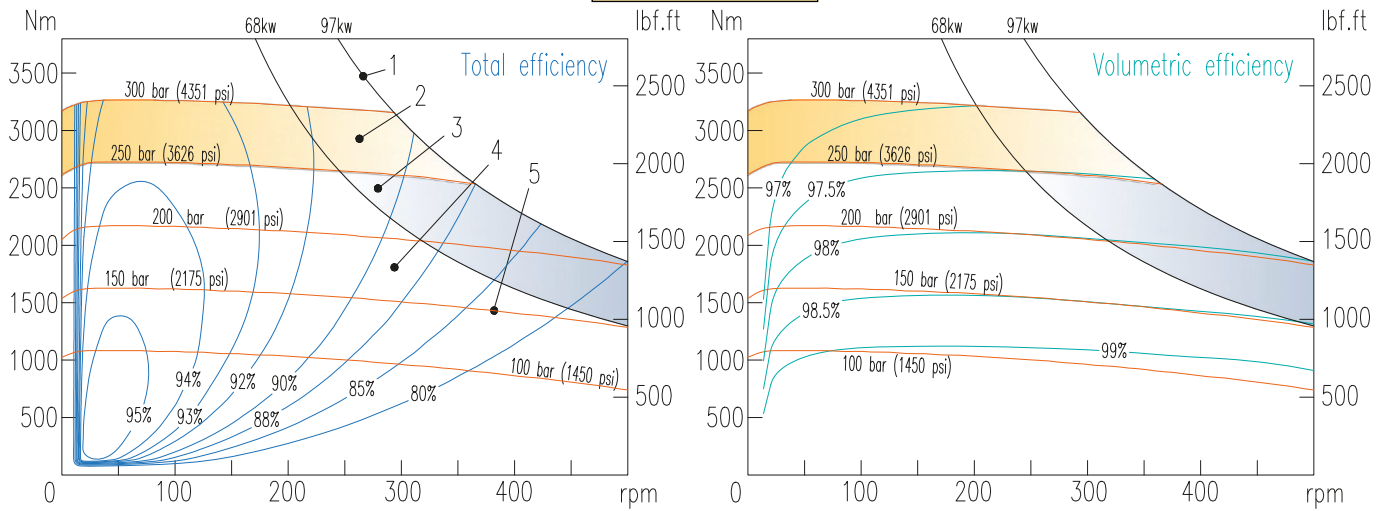
MRE500E



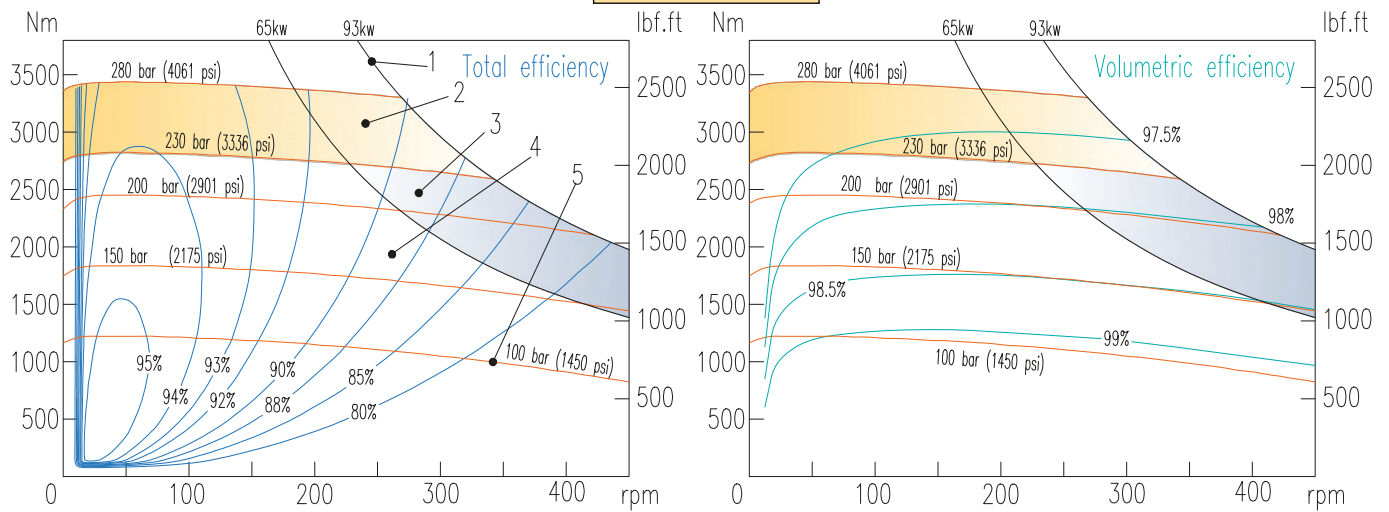
MR600F



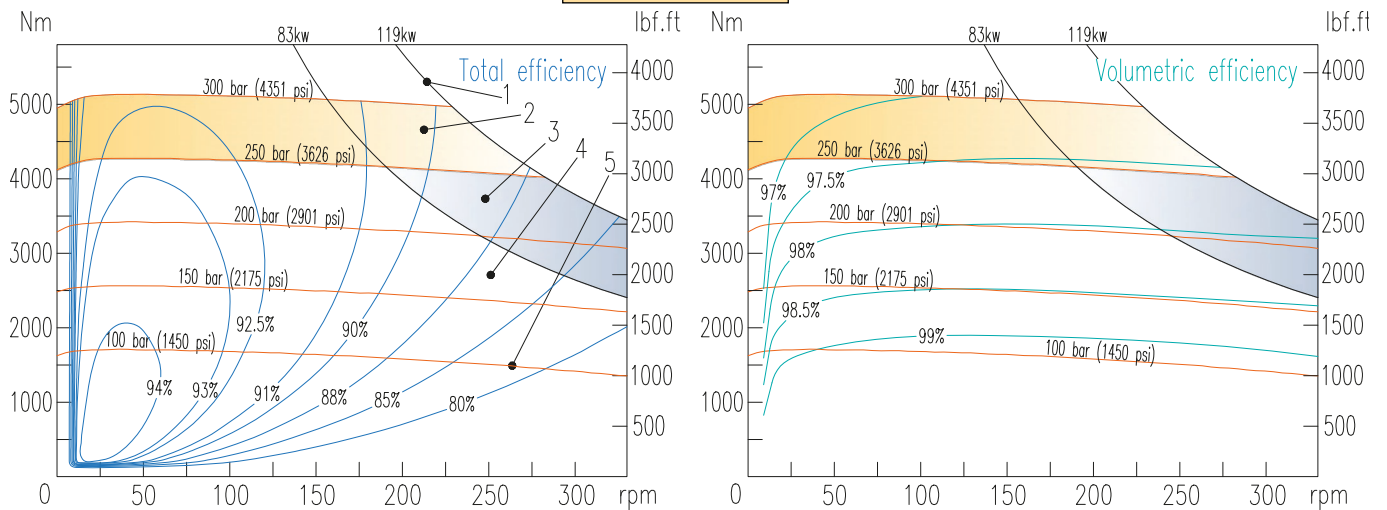
MR700F



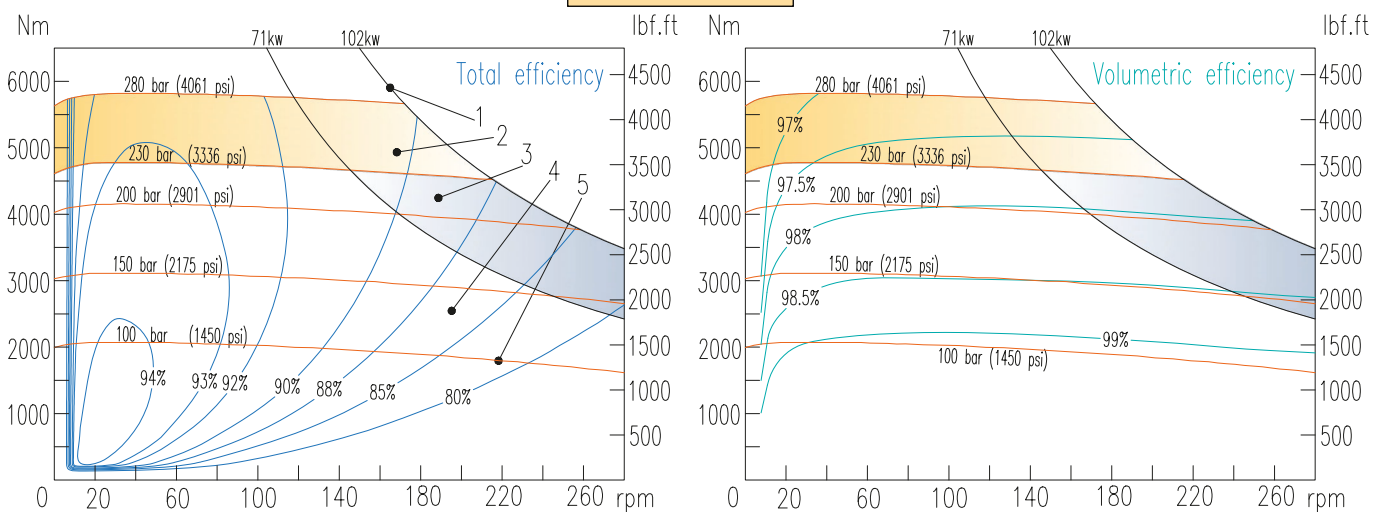
MRE800F



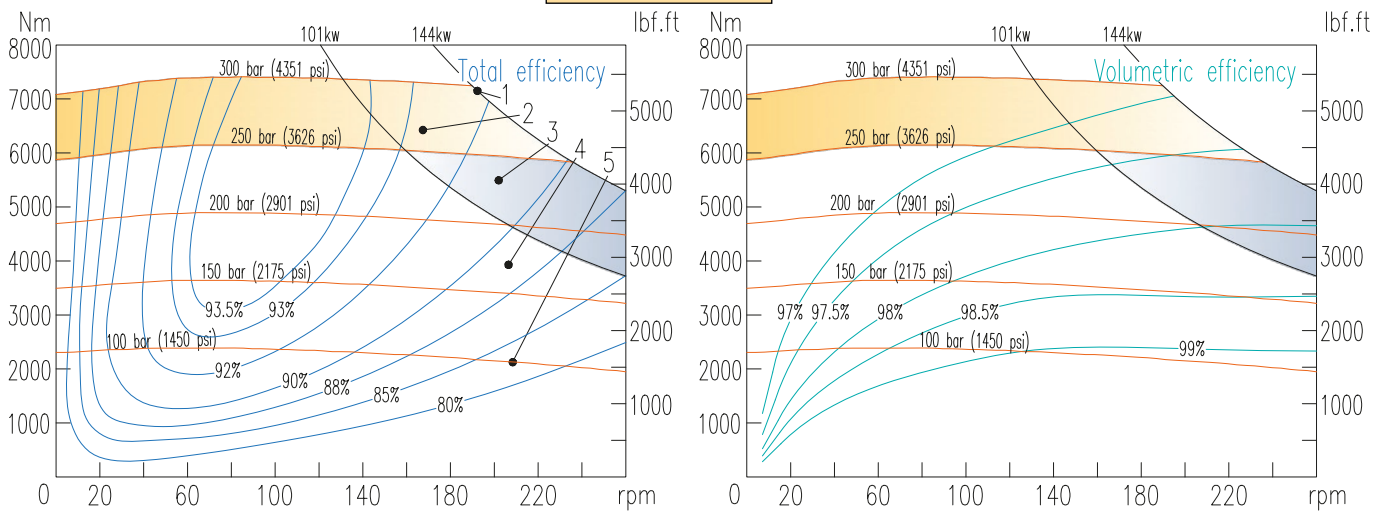
MR1100G



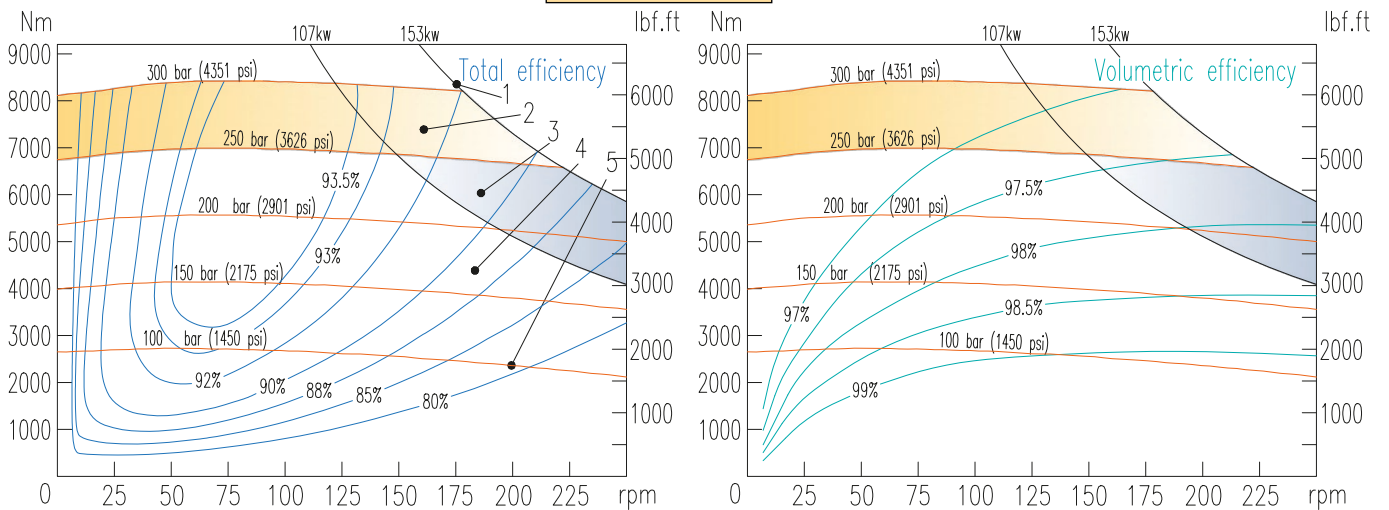
MRE1400G



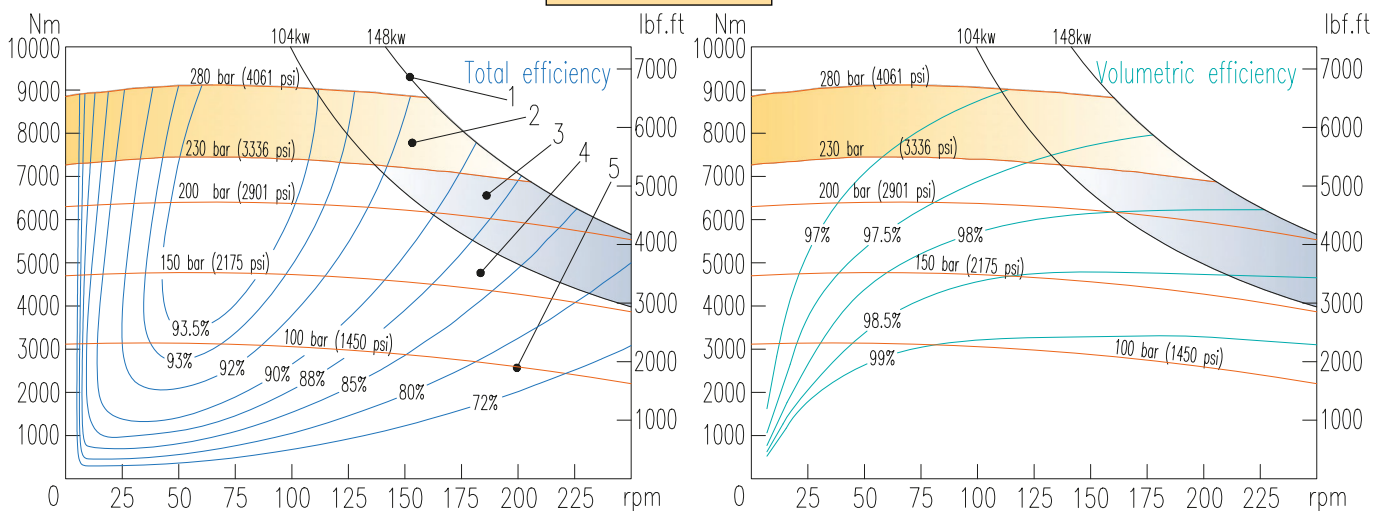
MR1600H



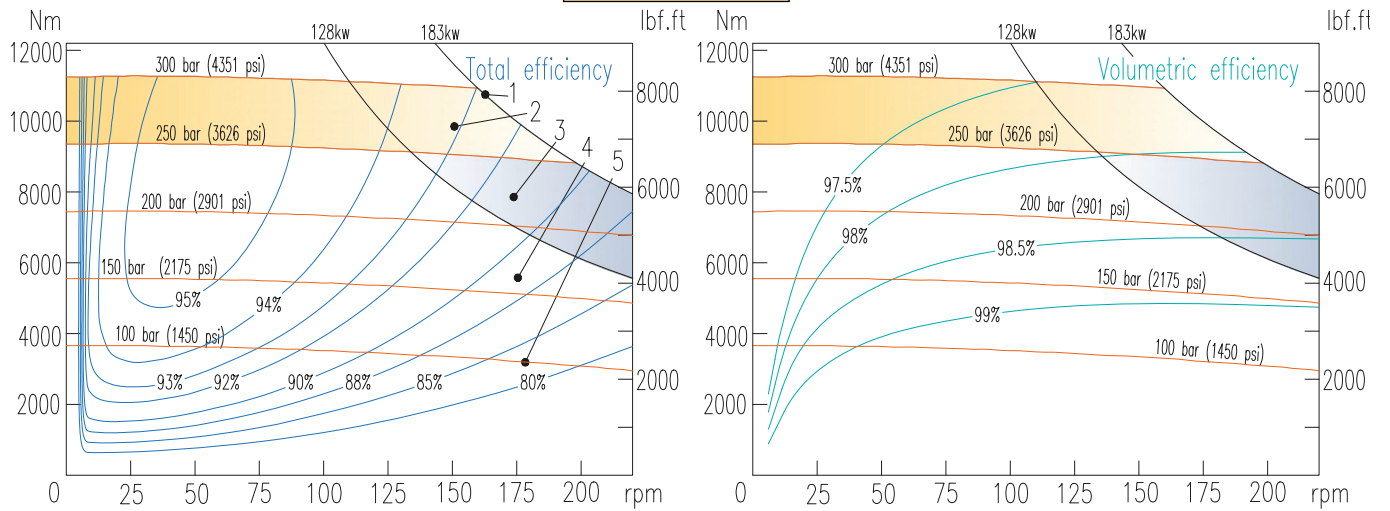
MR1800H



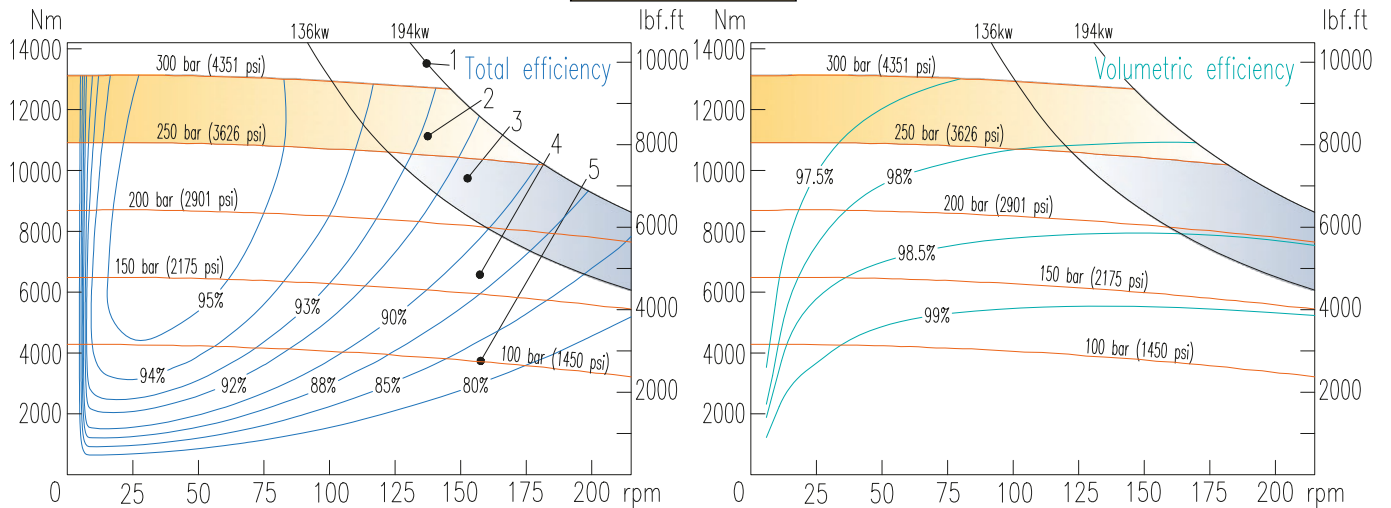
MRE2100H



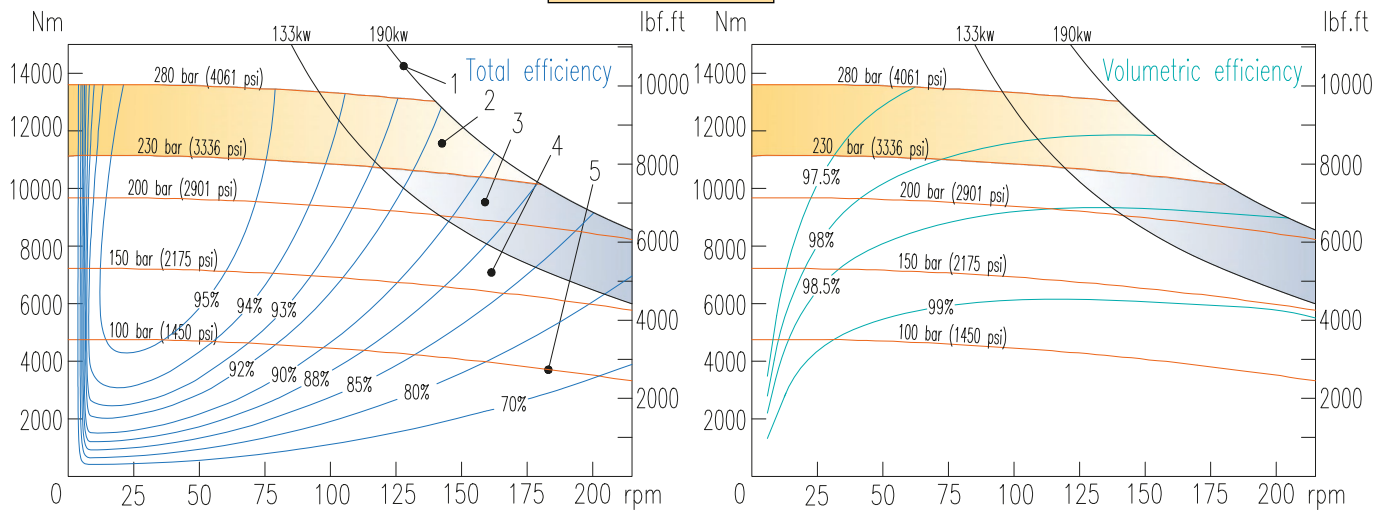
MR2400I



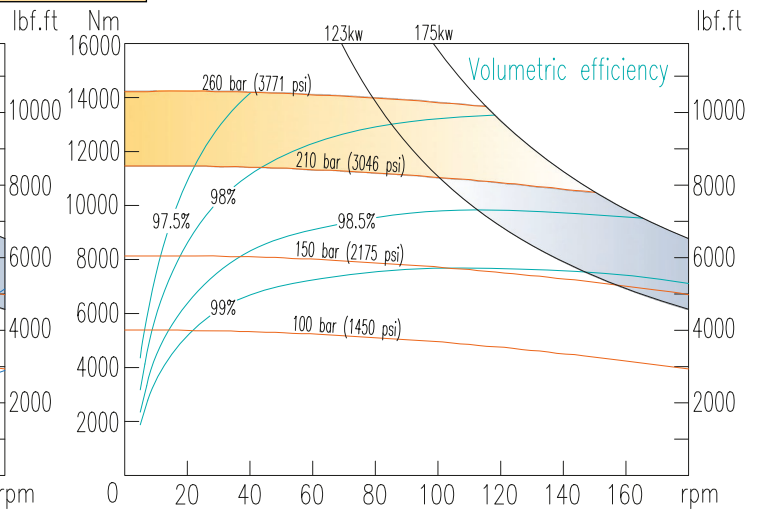
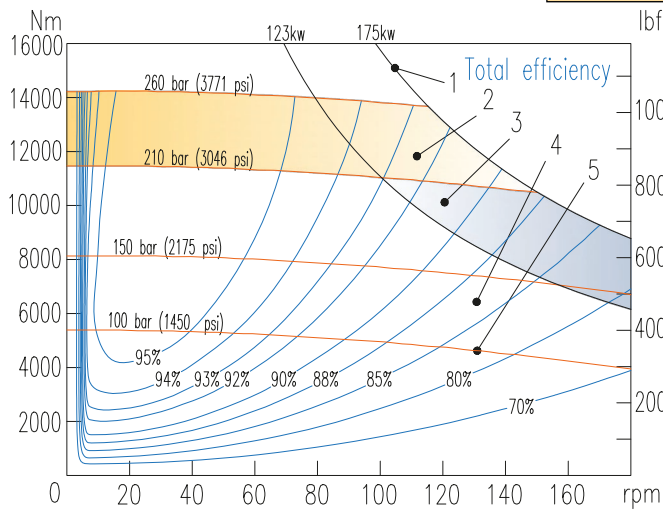
MR2800I



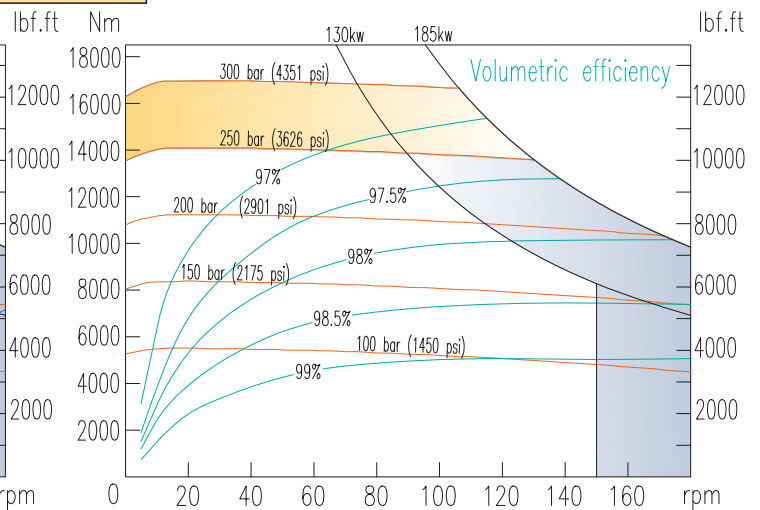
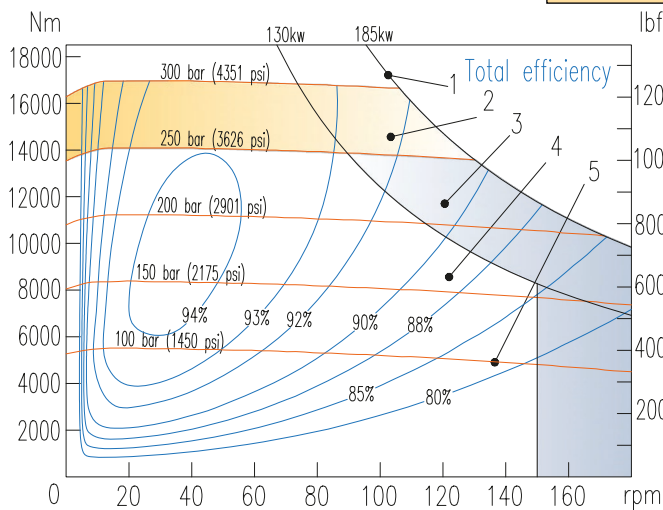
MRE3100I



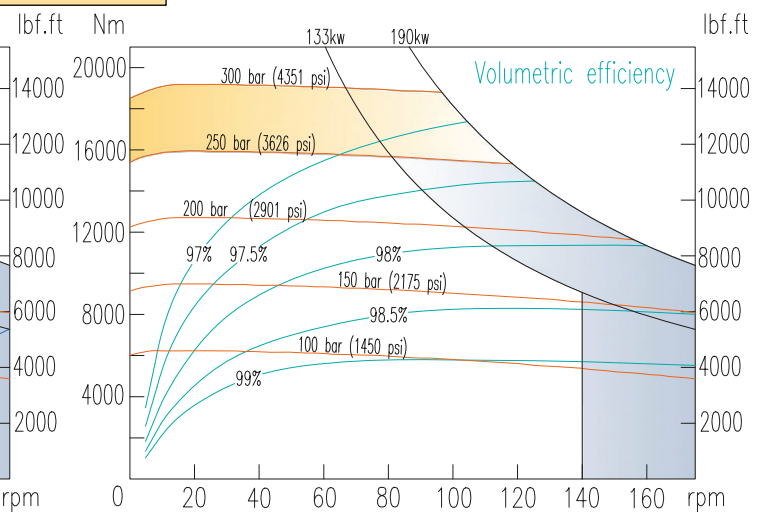
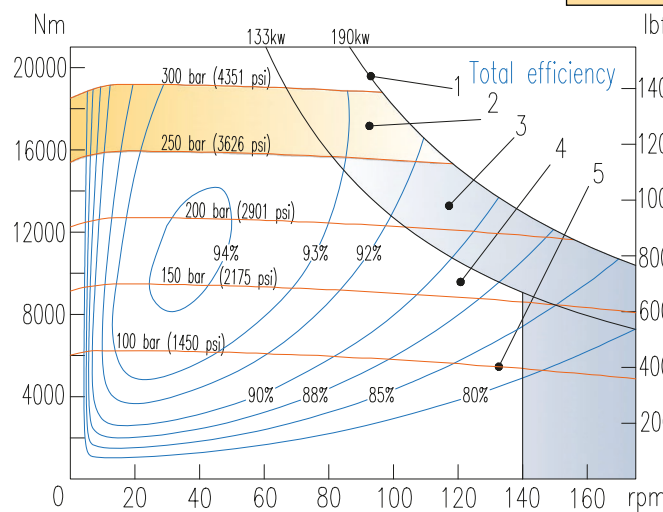
MRA3500I



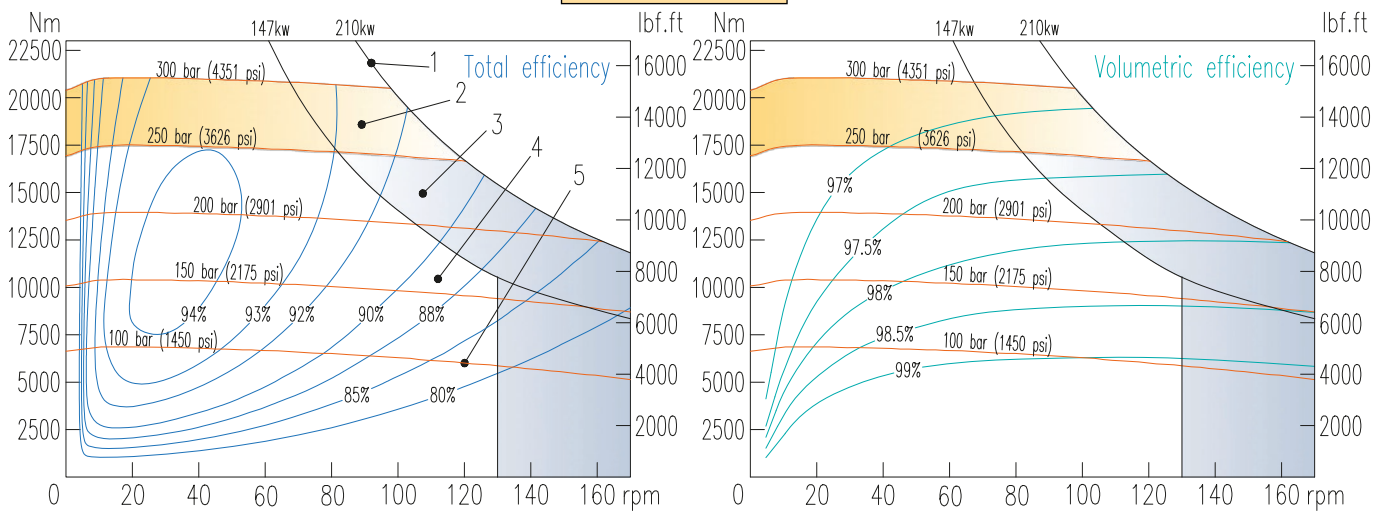
MR3600L



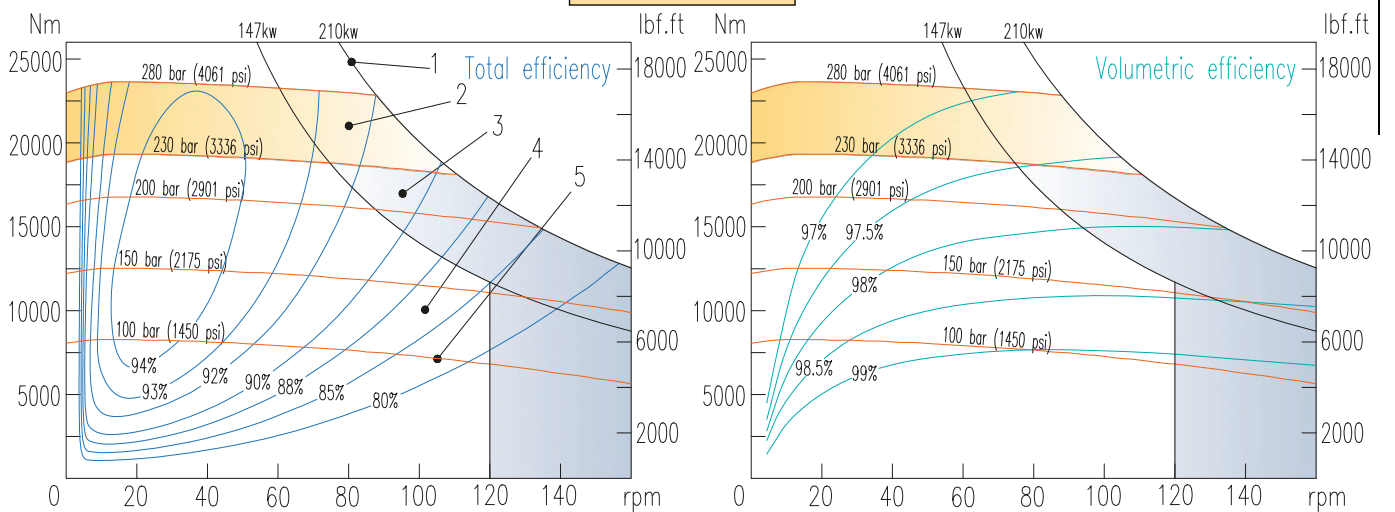
MR4100L



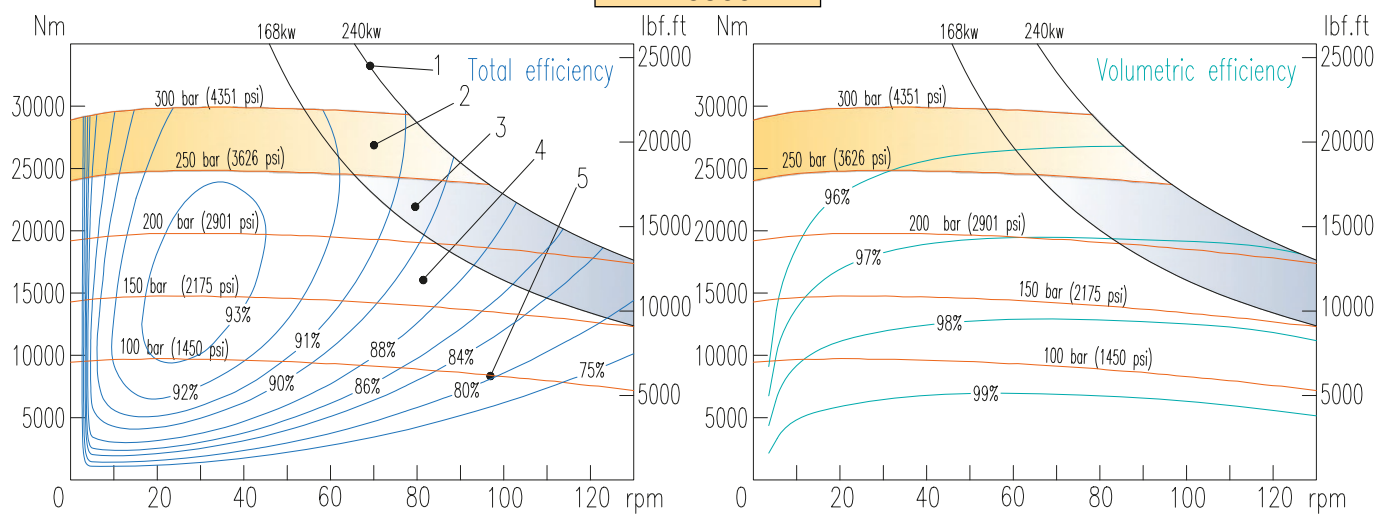
MR4500L



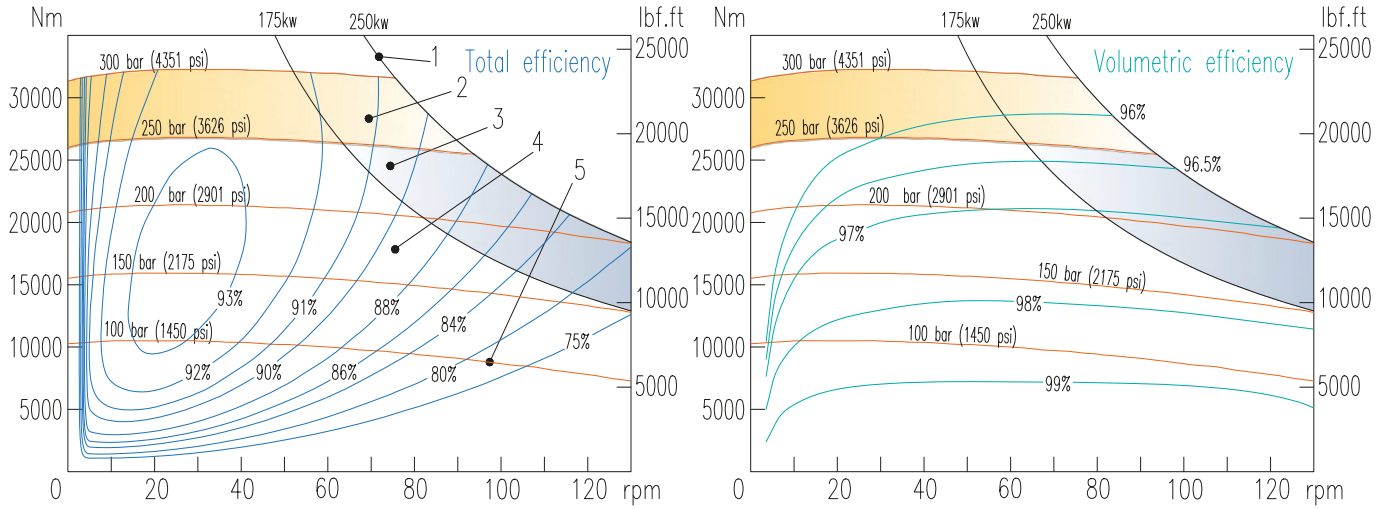
MRE5400L



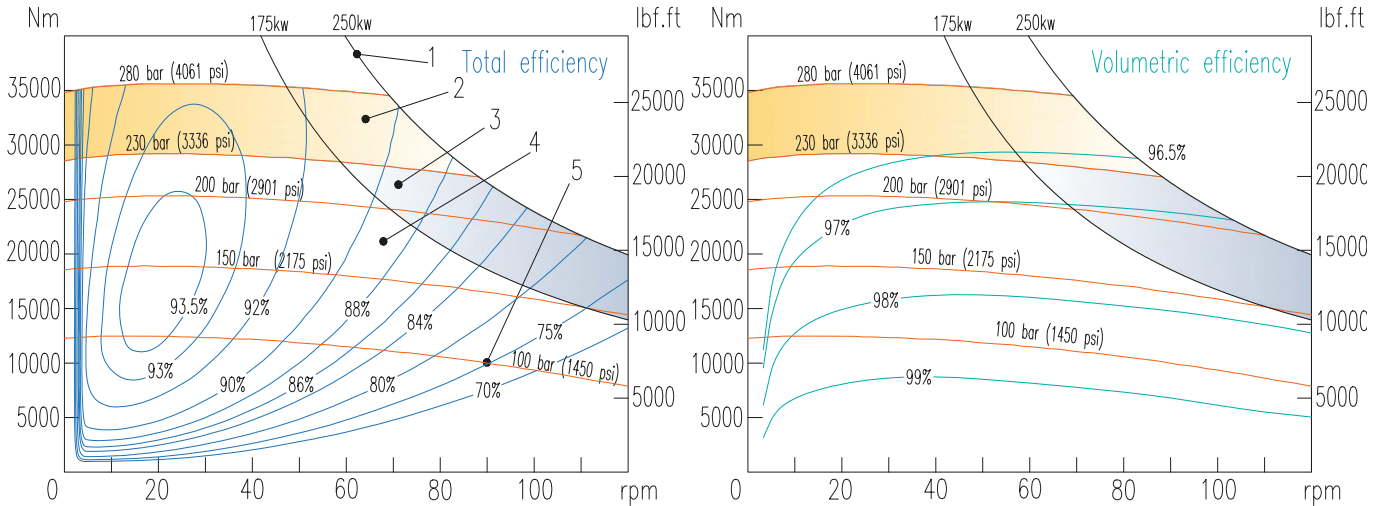
MR6500M



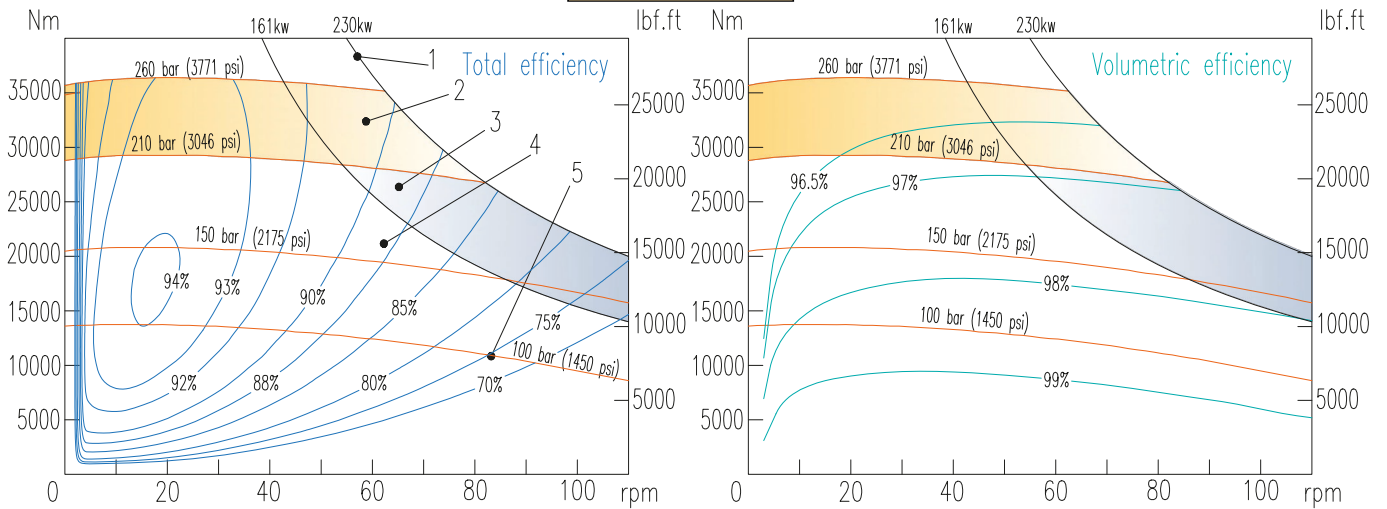
MR7000M



MRE8200M



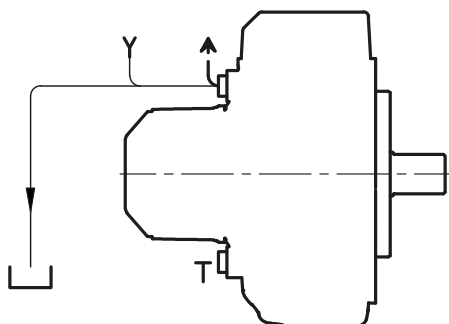
MRA9000M



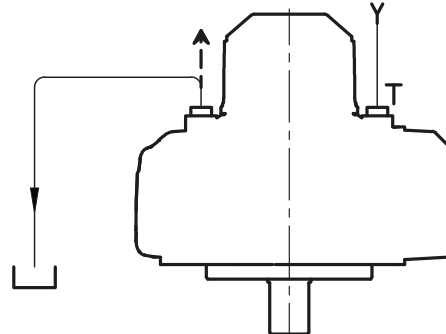
Motor without brake: drain and flushing connections (installation examples)

Position the case drain pipe, so that the motor cannot run empty. Low pressure case drain returns to tank.

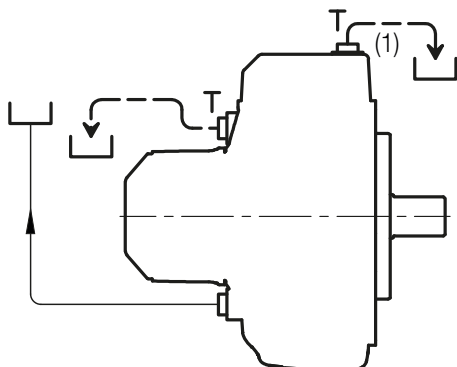
Horizontal mounting



Vertical mounting, shaft downwards

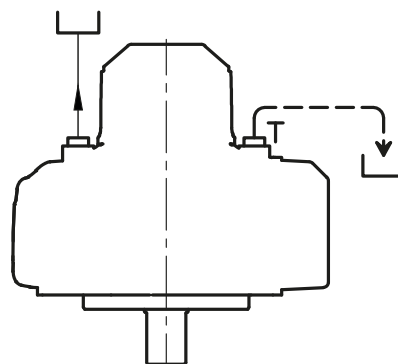


Horizontal mounting, tank located in higher position

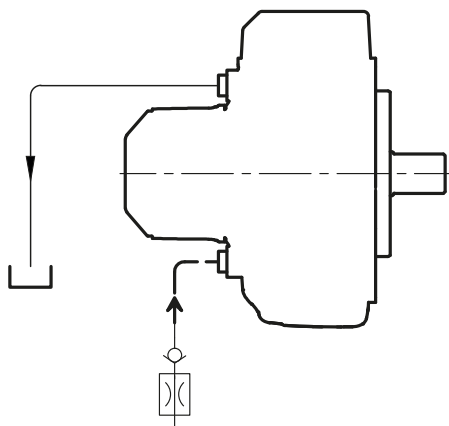


(1) = Bleed screw (on enquiry)

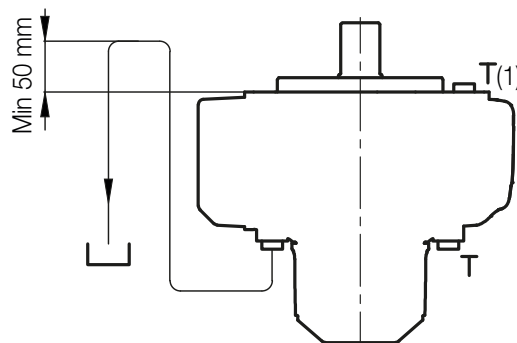
Vertical mounting, shaft downwards, tank located in higher position



Cooling circuit for high power continuous operation



Vertical mounting, shaft upwards



(1) = Bleed screw (on enquiry)

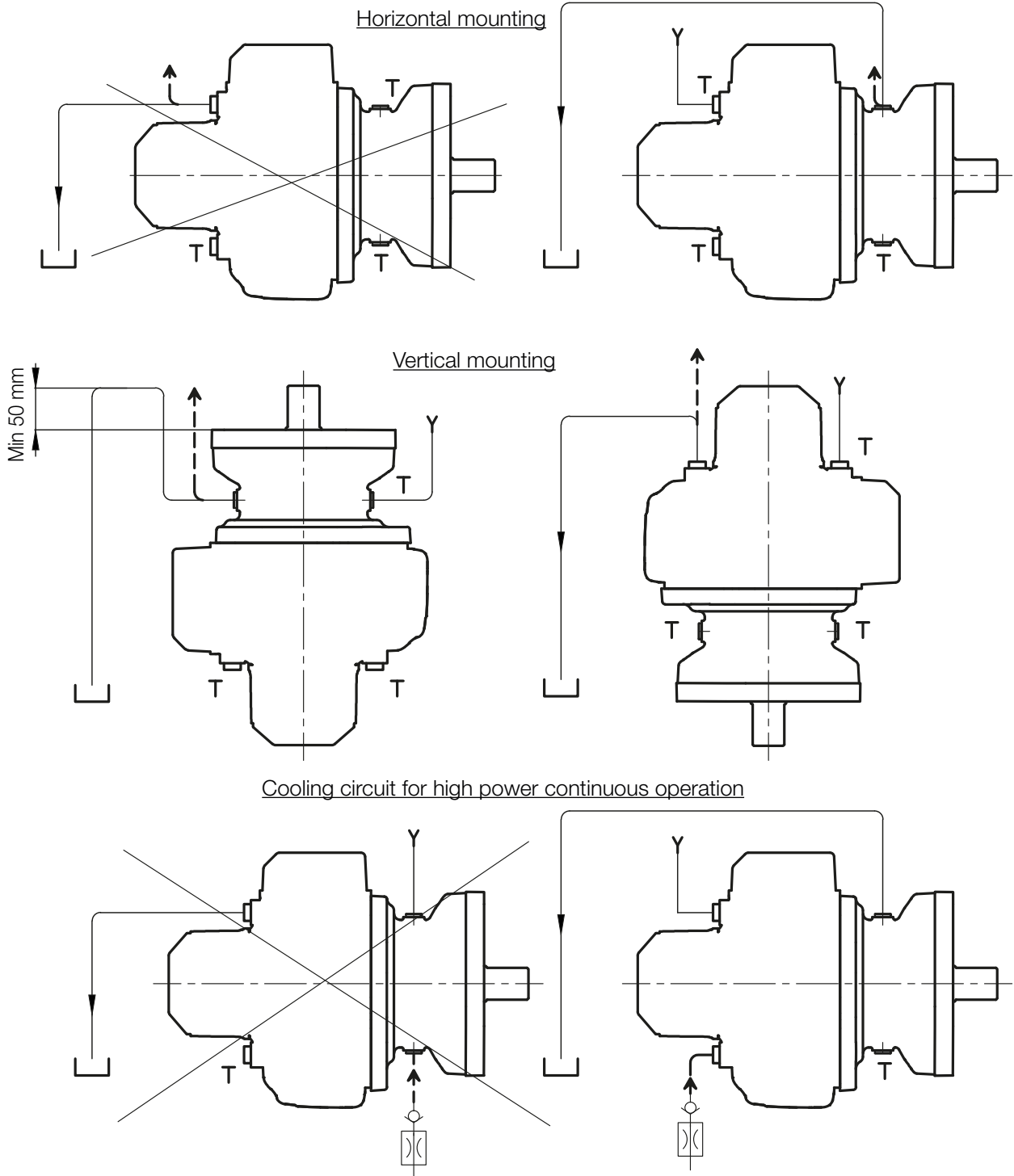
T = Seal

Y = Motor housing feeding line

--> = Air bleed

Motor with brake: drain and flushing connections (installation examples)

Position the case drain pipe, so that the motor cannot run empty. Low pressure case drain returns to tank.
 Motor without shaft seal used with brake.



T = Seal

Y = Motor housing feeding line

--> = Air bleed

Motor start-up

The motor does not require any special running in, but all residual impurities in the system must be eliminated by running the motor at low speed and with no applied load, granting the minimum necessary inlet pressure.

After a brief period in service, the system filters should be cleaned. This operation will also lead to the air venting from motor cylinders; air inside the motor cylinders may increase the possible noise at the start-up of the motor. Make sure the motor case has been filled (see “Motor case oil filling” paragraph).

Motor case oil filling

All motors are supplied without lubricating oil. Before start-up, the motor case must be filled in by using the same hydraulic oil used to operate the motor.

The two case drain holes are both plugged, one with a metal plug and the other one with a plastic plug. To fill in the motor case it is necessary:

- to place the motor in its working position, making sure to close the lower case drain hole by means of the metal plug;
- to use the upper case drain hole to fill in the motor case up to the level required, by using the same hydraulic oil used in the system, in order to ensure the perfect lubrication of the two bearings.

The volume of oil necessary to fill in the case has to be selected according to the motor size (see table below):

Motor type	Motor case oil		Motor type	Motor case oil		Motor type	Motor case oil		Motor type	Motor case oil	
	liters	gallons		liters	gallons		liters	gallons		liters	gallons
MR 75 B	1.5	0.40	MRE 330 D	2.0	0.53	MR 1600 H	9.5	2.50	MR 4500 L	19.0	5.02
MR 90 B			MRA 400 D			MR 1800 H			MRE 5400 L		
MR 110 B			MR 350 E	MRE 2100 H	MRA 6000 L						
MR 125 C	1.7	0.45	MR 400 E	2.8	0.74	MR 2400 I	13.0	3.43	MR 6500 M	27.0	7.13
MR 160 C			MR 450 E			MR 2800 I			MR 7000 M		
MR 190 C			MRE 500 E			MRE 3100 I			MRE 8200 M		
MR 200 D	MR 600 F	MRA 3500 I	MRA 9000 M								
MR 250 D	2.0	0.53	MR 700 F	3.3	0.87	MR 3600 L	19.0	5.02			
MR 300 D			MRE 800 F			MR 4100 L					
			MR 1100 G	6.0	1.58						
			MRE 1400 G								

Motor case filling volume

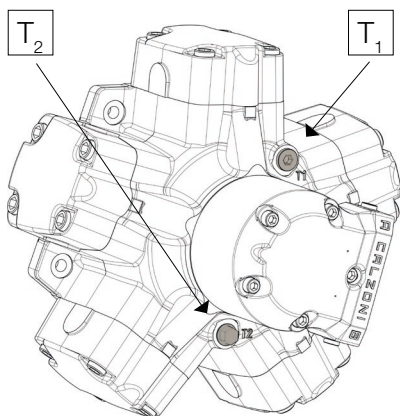
Flushing of motor case

Operating within the “Continuous operating area without flushing” (number 4 in operating diagrams from page 34 to page 47 - according to motor type) does not require any additional cooling of the motor case.

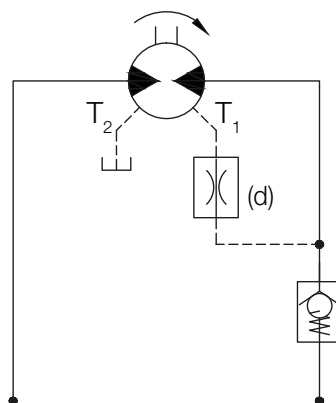
For operating conditions out of the “Continuous operating area without flushing”, additional cooling oil is required to avoid high temperature in the motor case (areas number 2 and 3 in operating diagrams from page 34 to page 47 - according to motor type).

Flushing can be also necessary when the operating performances are inside the “Continuous operating area without flushing”, but the system is not able to ensure the minimum viscosity conditions requested by the motor as specified at pages 32 and 33.

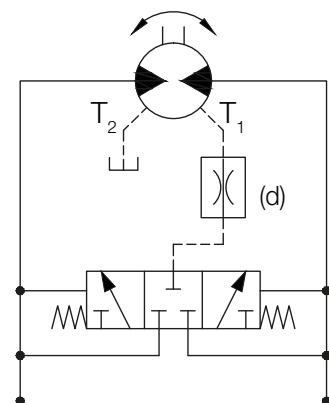
Flushing circuit examples
(Flushing valve available on request)



Motor drain and flushing connections



Mono-directional rotation



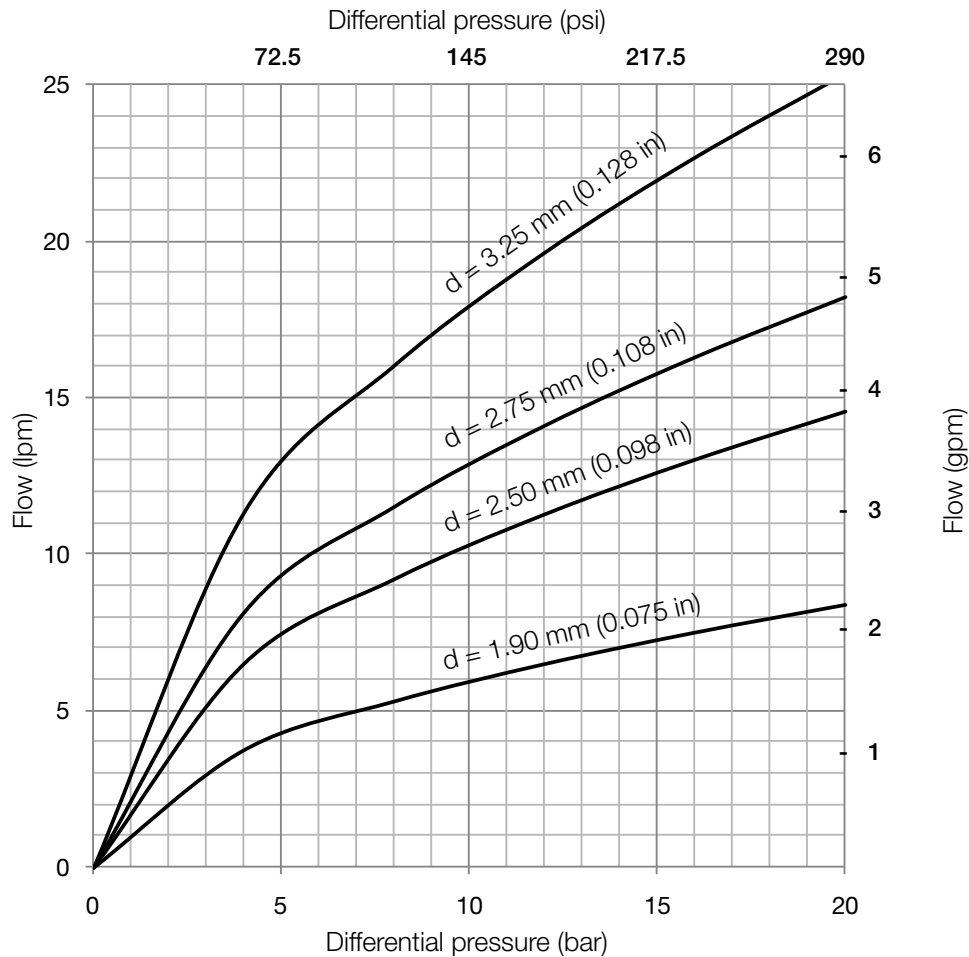
Bi-directional rotation

Motor type	Flushing flow		Motor type	Flushing flow		Motor type	Flushing flow		Motor type	Flushing flow	
	lpm	gpm		lpm	gpm		lpm	gpm		lpm	gpm
MR 33 A	5	1.3	MRE 330 D	6	1.6	MRA 1600 G	10	2.6	MR 4500 L	20	5.3
MR 57 A			MRA 400 D			MRA 1600 H			MR 5400 L		
MR 75 B			MR 350 E	MR 1800 H	MRA 6000 L						
MR 90 B			MR 400 E	MRE 2100 H	MR 6500 M						
MR 110 B			MR 450 E	MRA 2400 H	MR 7000 M						
MR 125 C	6	1.6	MRE 500 E	MR 2400 I	MRE 7600 M						
MR 160 C			MR 600 F	MR 2800 I	MRE 8200 M						
MR 190 C			MR 700 F	MRE 3100 I	MRA 9000 M						
MR 200 D			MRE 800 F	MRA 3500 I							
MR 250 D			MR 1100 G	MR 3600 L							
MR 300 D			MRE 1400 G	MR 4100 L							

Motor case filling volume

The motor return line can be used as source flow to flush the motor case (see “Flushing circuit examples on page 49).

The requested flow rate can be obtained selecting the correct restrictor diameter (d) according to the differential pressure between the motor case and the return line.



Braking mode and pumping operation

When operating in braking mode (motor operates as a pump), charge pressure is required at the inlet port according to the following formulas (metric unit on the left, imperial/US unit on the right):

$p = p_0 + A \cdot n + B \cdot n^2$	bar		$p = 14.5 \cdot (p_0 + A \cdot n + B \cdot n^2)$	psi
-------------------------------------	-----	--	--	-----

where n is the motor speed (rpm) and the terms A, B and p0 can be obtained from the table below according to the motor type.

Motor type	p_0	A	B
MR 75 B	4	$9.0 \cdot 10^{-3}$	$1.1 \cdot 10^{-5}$
MR 90 B	4	$1.4 \cdot 10^{-2}$	$1.0 \cdot 10^{-5}$
MR 110 B	4	$1.6 \cdot 10^{-2}$	$1.2 \cdot 10^{-5}$
MR 125 C	2	$3.1 \cdot 10^{-3}$	$1.4 \cdot 10^{-5}$
MR 160 C	2	$6.5 \cdot 10^{-3}$	$1.5 \cdot 10^{-5}$
MR 190 C	2	$7.5 \cdot 10^{-3}$	$1.9 \cdot 10^{-5}$
MR 200 D	2	$8.0 \cdot 10^{-3}$	$2.0 \cdot 10^{-5}$
MR 250 D	2	$9.0 \cdot 10^{-3}$	$2.9 \cdot 10^{-5}$
MR 300 D	2	$1.2 \cdot 10^{-2}$	$3.0 \cdot 10^{-5}$
MRE 330 D	2	$1.3 \cdot 10^{-2}$	$4.0 \cdot 10^{-5}$
MRA 400 D	2	$1.4 \cdot 10^{-2}$	$4.5 \cdot 10^{-5}$
MR 350 E	2	$1.2 \cdot 10^{-2}$	$4.0 \cdot 10^{-5}$
MR 400 E	2	$1.4 \cdot 10^{-2}$	$4.5 \cdot 10^{-5}$
MR 450 E	2	$1.5 \cdot 10^{-2}$	$5.0 \cdot 10^{-5}$
MRE 500 E	2	$1.7 \cdot 10^{-2}$	$7.0 \cdot 10^{-5}$
MR 600 F	2	$2.2 \cdot 10^{-2}$	$8.0 \cdot 10^{-5}$
MR 700 F	2	$2.8 \cdot 10^{-2}$	$8.7 \cdot 10^{-5}$
MRE 800 F	2	$2.9 \cdot 10^{-2}$	$9.0 \cdot 10^{-5}$
MR 1100 G	2	$1.0 \cdot 10^{-2}$	$2.0 \cdot 10^{-4}$

Motor type	p_0	A	B
MRE 1400 G	2	$1.2 \cdot 10^{-2}$	$4.0 \cdot 10^{-4}$
MR 1600 H	2	$1.4 \cdot 10^{-2}$	$3.2 \cdot 10^{-4}$
MR 1800 H	2	$1.5 \cdot 10^{-2}$	$3.5 \cdot 10^{-4}$
MRE 2100 H	2	$1.9 \cdot 10^{-2}$	$4.0 \cdot 10^{-4}$
MR 2400 I	2	$3.7 \cdot 10^{-2}$	$2.5 \cdot 10^{-4}$
MR 2800 I	2	$4.8 \cdot 10^{-2}$	$2.6 \cdot 10^{-4}$
MRE 3100 I	2	$5.0 \cdot 10^{-2}$	$3.6 \cdot 10^{-4}$
MRA 3500 I	2	$5.1 \cdot 10^{-2}$	$3.8 \cdot 10^{-4}$
MR 3600 L	2	$5.2 \cdot 10^{-2}$	$3.9 \cdot 10^{-4}$
MR 4100 L	2	$5.4 \cdot 10^{-2}$	$4.5 \cdot 10^{-4}$
MR 4500 L	2	$5.5 \cdot 10^{-2}$	$4.8 \cdot 10^{-4}$
MRE 5400 L	2	$6.0 \cdot 10^{-2}$	$7.0 \cdot 10^{-4}$
MRA 6000 L	2	$6.8 \cdot 10^{-2}$	$8.0 \cdot 10^{-4}$
MR 6500 M	2	$7.5 \cdot 10^{-2}$	$9.5 \cdot 10^{-4}$
MR 7000 M	2	$8.0 \cdot 10^{-2}$	$1.2 \cdot 10^{-3}$
MRE 8200 M	2	$8.4 \cdot 10^{-2}$	$1.9 \cdot 10^{-3}$
MRA 9000 M	2	$8.7 \cdot 10^{-2}$	$2.2 \cdot 10^{-3}$

ABS and ATEX requirements



Calzoni MR hydraulic motors have been approved by ABS for use on ABS classed vessels (PDA certificate available).
 Please contact Calzoni Hydraulics for more detailed information.

Calzoni MR hydraulic motors can be provided in conformity to the essential safety requirements according to the ATEX Directive 2014/34/EU. The motors, if destined to operate in potentially explosive atmospheres, are designed and realised in conformity to the Safety Essential Requirements (RES) of Annex II of the ATEX Directive 2014/34/EU.

The Directive provides the following classification:

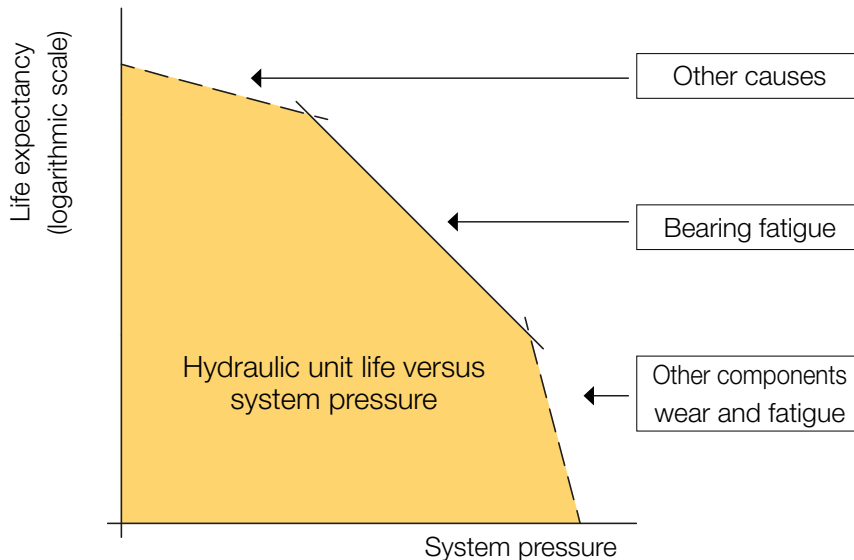
- Group II, category 2, operation in gaseous and dusty environment zone 1 and 21;
- Group II, category 3, operation in gaseous and dusty environment zone 2 e 22;
- Maximum surface temperature: class of temperature T4.



When ordering motors destined to operate in potentially explosive atmospheres, please contact Calzoni and specify group, category and application data (a specific code will be assigned to the motor).

General information

Bearing life can be calculated for that part of the load/life curve (shown below) that is designated 'Bearing fatigue'. 'Components wear' and 'Other causes', caused by material fatigue and fluid contamination, should also be taken into consideration when estimating the service life of a motor in a specific application.



Bearing life (in hours), depends on system pressure, operating speed, external shaft loads, fluid viscosity in the case, and fluid contamination level. When the motors operate inside the catalogue parameters, the bearing life can be equated to the motor life (service life of the motor before maintenance).

Bearing service life

Bearing L10h life (in hours) can be calculated according to motor speed and pressure (see below formulas, metric unit on the left, imperial/US unit on the right):

$$L_{10h} = \frac{16\,666}{n} \left(\frac{K}{p} \right)^{3.33}$$

p = pressure (bar)
n = speed (rpm)

$$L_{10h} = \frac{16\,666}{n} \left(\frac{14.5 \cdot K}{p} \right)^{3.33}$$

p = pressure (psi)
n = speed (rpm)

L10h is the basic rating life at 90% reliability: it means that 90% of the bearings survive at least the calculated number of hours. Statistically, 50% of the bearings will survive at least five times the L10h life.

Motor type	K
MR 75 B	1240
MR 90 B	1240
MR 110 B	1240
MR 125 C	1280
MR 160 C	1280
MR 190 C	1280
MR 200 D	1280
MR 250 D	1280
MR 300 D	1280

Motor type	K
MRE 330 D	1170
MRA 400 D	1170
MR 350 E	1500
MR 400 E	1500
MR 450 E	1500
MRE 500 E	1360
MR 600 F	1240
MR 700 F	1240
MRE 800 F	1090
MR 1100 G	1120
MRE 1400 G	920

Motor type	K
MR 1600 H	1040
MR 1800 H	1040
MRE 2100 H	900
MR 2400 I	1140
MR 2800 I	1140
MRE 3100 I	1020
MRA 3500 I	950
MR 3600 L	1170
MR 4100 L	1170

Motor type	K
MR 4500 L	1170
MRE 5400 L	980
MRA 6000 L	910
MR 6500 M	900
MR 7000 M	900
MRE 8200 M	770
MRA 9000 M	680

Under variable operating conditions bearing life can be predicted using the equation:

$$L10h = \frac{1}{\frac{U_1}{L10h_1} + \frac{U_2}{L10h_2} + \frac{U_3}{L10h_3} + \dots}$$

Where:

L10h = rating life (hours)

L10h₁, L10h₂, ... = fraction rating lives under constant conditions 1, 2, ... (hours)

U₁, U₂, ... = life fraction under the conditions 1, 2, ... (Note: U₁+U₂+...+U_n=1)

Calzoni motors are designed with bearings that can accept external radial loads. External radial shaft loads impact unit lifetime and the bearing life will be a function of the load position, orientation and operating conditions. In applications with external radial shaft loads, minimize the impact by positioning the load close to the motor mounting surface.

Please contact Calzoni to determine motor life in a specific application, taking into consideration also external shaft forces and fluid viscosity.

Quick motor selection

- 1 Required motor output torque (M) and system pressure (p) are known; calculate theoretical specific motor torque (Ts) as follows (metric unit on the left, imperial/US unit on the right):

$$T_s = \frac{M}{p} \quad \frac{\text{N}\cdot\text{m}}{\text{bar}}$$

$$T_s = \frac{1000 \cdot M}{p} \quad \frac{\text{lbf}\cdot\text{ft}}{1000 \cdot \text{psi}}$$

Example:

M = 20000 N.m (14750 lbf.ft), p = 200 bar (2900 psi) >>> Ts = 100 Nm/bar (5086 lbf.ft/1000.psi)

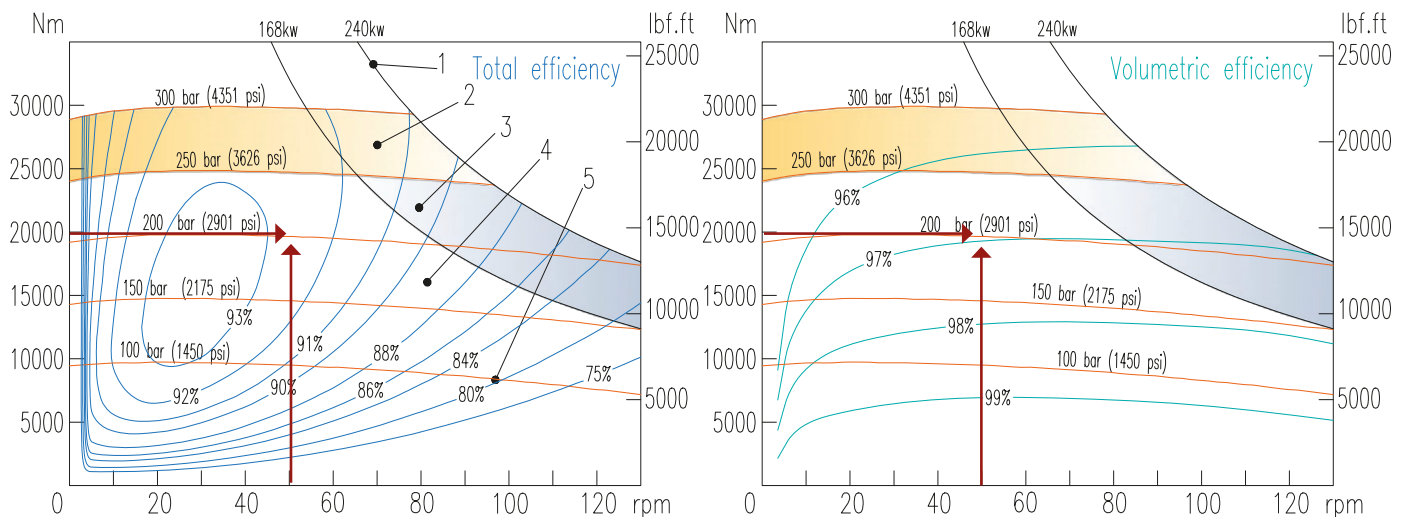
- 2 Select an hydraulic motor with a specific torque value bigger than the calculated one (see motor technical data from page 8 to page 11).

Example:

>>> selected motor is MR6500M with Ts = 103.6 Nm/bar (5229 lbf.ft/1000.psi)

- 3 Identify motor total efficiency (ηT) and volumetric efficiency (ηv) at the working parameters (see operating diagrams from page 34 to page 47); calculate mechanical efficiency (ηM = ηT/ηv).

Example:



>>> ηT = 92.5%; ηv = 97%; ηM = 95.3%

- 4 Calculate motor working pressure and required pumping flow as follows (motor speed n = 50 rpm):

$$p = \frac{M}{T_s \cdot \eta_M} \quad \text{bar}$$

$$p = \frac{1000 \cdot M}{T_s \cdot \eta_M} \quad \text{psi}$$

$$Q = \frac{V \cdot n}{1000 \cdot \eta_v} \quad \text{lpm}$$

$$Q = \frac{V \cdot n}{231 \cdot \eta_v} \quad \text{gpm}$$

Example:

>>> calculated pressure is p = 203 bar (2945 psi); required pumping flow is Q = 333 lpm (88 gpm).

- 5 Contemplate motor case oil filling according to instructions on page 50.

Example:

>>> Required filling oil volume 27 liters (7.13 gallons) for MR6500M motor.

- 6 Contemplate motor case oil flushing according to instructions on page 51.

Example:

>>> Flushing is not required for MR6500M motor at $p = 203$ bar (2945 psi) pressure and $n = 50$ rpm.



Calzoni Hydraulics Germany GmbH

Max-Eyth-Straße 65
72622 Nürtingen, Germany
Phone: +49 7022 405990

Calzoni Hydraulics Italy Srl

Via Casteldebole 10
40069 Zola Predosa (BO) Italy
Phone: +39 051 6501611

Email: info@calzoni-hydraulics.com

Catalogue CH-MR-0501.0/EN 2024