



Hydraulic Pumps Mobile & Industrial T6*R

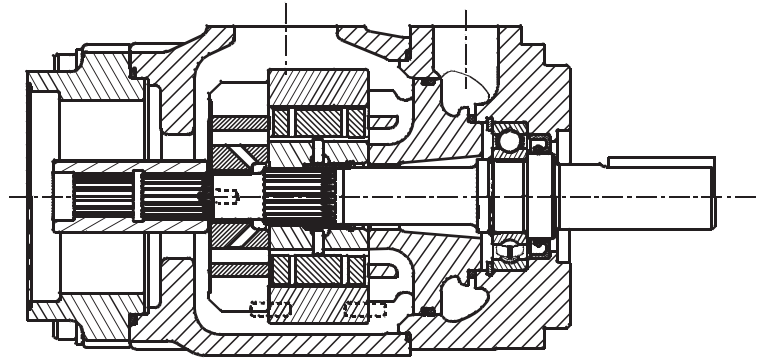
Denison Vane Technology, fixed displacement

aerospace
climate control
electromechanical
filtration
fluid & gas handling
hydraulics
pneumatics
process control
sealing & shielding



ENGINEERING YOUR SUCCESS.

GENERAL	Features	3
	Instructions	3
	Speed & pressure ratings	4
	Minimum allowable inlet pressure	5
	General characteristics	5
	Pump selection	6
	Intermittent pressure rating	6
	Start-up instructions and recommendations	7
INDUSTRIAL VERSION T6*R	Description	8
	Application advantages	8
	Shafts and hydraulic fluids	9
T6CR	Ordering code & Technical data	10
	Dimensions & Operating characteristics	11
T6DR	Ordering code & Technical data	12
	Dimensions & Operating characteristics	13
T6ER	Ordering code & Technical data	14
	Dimensions & Operating characteristics	15
T6DCCR	Ordering code & Operating characteristics	16
	Technical data	17
	Dimensions	18
	Porting diagrams	22-23
T6EDCR	Ordering code & Operating characteristics	20
	Technical data	21
	Dimensions	19
	Porting diagrams	22-23
MOBILE VERSION T6*RM	Description	24
	Application advantages	24
	Shafts and hydraulic fluids	25
T6CRM	Ordering code & Technical data	26
	Dimensions & Operating characteristics	27
T6DRM	Ordering code & Technical data	28
	Dimensions & Operating characteristics	29
T6ERM	Ordering code & Technical data	30
	Dimensions & Operating characteristics	31
	Ordering code, tandem assemblies	32
	Porting combination VV	32
	Porting combination VP, VH & VG	33
	Adaptator & coupling selection	34
	Example of combination	34
	Warning	35



GREATER FLOW

Greater flow for the envelope size is achieved by increased displacement cam rings: at high permissible speeds with atmospheric inlet
C → 3 to 31 GPM, 10 to 100 ml/rev.
D → 14 to 50 GPM, 48 to 158 ml/rev.
E → 42 to 72 GPM, 132 to 227 ml/rev.

HIGHER PRESSURE

Pressure ratings up to 275 bar, which allows to reduce the size and cost of the actuators, valves and lines.

BETTER EFFICIENCY

Better efficiency under load which increases the productivity and reduces the heating and operating costs.

MOUNTING FLEXIBILITY

Single pumps : 4 positions + 4 on rear drive.
Triple pumps : 128 positions + 2 on rear drive.

REAR DRIVE

Mounting pads and couplings are fully conformable to SAE J744c and ISO 3019-1.
Single pumps SAE A / B / C rear adaptors.
SAE A / B / BB / C couplings
Triple pumps SAE A adaptor and coupling.

LOWER NOISE LEVELS

Increase the operator's safety and acceptance.

COMPLETE CONFORMITY

To SAE - J744c 2-bolt standards and to ISO 3019-1 in the various keyed and splined shaft options offered.

CARTRIDGE DESIGN

Provides for drop-in assemblies. This design permits an easy conversion or renewal of serviceable elements in minutes at minimum expense and risk of contamination. Pump rotation is easy to change by changing the position of the cam ring on the port plate dowel pin hole.

WIDER RANGE OF ACCEPTABLE VISCOSITIES

Viscosities from 860 to 10 cSt, (2000 to 10 cSt for Mobile), permit colder starts and hotter running. The balanced design compensates for wear and temperature changes. At high viscosity or cold temperature, the rotor to side plates gap is well lubricated and improves the mechanical efficiency.

FIRE RESISTANT FLUIDS

Including phosphate esters, chlorinated hydrocarbons, water glycols and invert emulsions. They may be pumped at higher pressures and with longer service life by these pumps.

GENERAL APPLICATIONS INSTRUCTIONS

1. Check the speed range, pressure, temperature, fluid quality, viscosity and pump rotation.
2. Check the inlet conditions of the pump, if it can accept application requirement.
3. Type of shaft : check if it can support the system's operating torque.
4. Coupling must be chosen to minimize the pump shaft load (weight, misalignment).
5. Filtration : must be adequate for lowest contamination level.
6. Environment of pump : to avoid the noise reflection, pollution and shocks.

Size	Series	Theoretical Displacement Vi ml/rev.	Minimum Speed RPM	Maximum Speed		Maximum Pressure					
				HF-0, HF-1 HF-2	HF-3, HF-4 HF-5	HF-0, HF-2		HF-1, HF-4, HF-5		HF-3	
				RPM	RPM	Int. bar	Cont. bar	Int. bar	Cont. bar	Int. bar	Cont. bar
CR CRM	*03	10,8	600 / 400	2800	1800	275	240	210	175	175	140
	*05	17,2									
	*06	21,3									
	*08	26,4									
	*10	34,1									
	*12	37,1									
	*14	46,0									
	*17	58,3									
	*20	63,8									
	*22	70,3									
	*25	79,3									
	*28	88,8		2500			210	160		160	
DR DRM	*14	47,6	600 / 400	2500	1800	240	210	210	175	175	140
	*17	58,2									
	*20	66,0									
	*24	79,5									
	*28	89,7									
	*31	98,3									
	*35	111,0									
	*38	120,3									
	*42	136,0									
	*45	145,7									
	*50	158,0									
				2200			210	160		160	
ER ERM	042	132,3	600 / 400	2200	1800	240	210	210	175	175	140
	045	142,4									
	050	158,5									
	052	164,8									
	062	196,7									
	066	213,3									
	072	227,1									
T6DCCR	Same as			Same as		Same as					
P1	T6DR	600	T6DR		T6DR						
P2	T6CR				T6CR						
P3	T6CR				T6CR						
T6EDCR	Same as					Same as					
P1	T6ER	600	T6ER		T6ER						
P2	T6DR				T6DR						
P3	T6CR				T6CR						

* = 0 : Industrial version
* = B : Mobile version

HF-0, HF2 = Antiwear Petroleum Base
HF-1 = Non Antiwear Petroleum Base
HF-5 = Synthetic Fluids
HF-3 = Water in oil Emulsions
HF-4 = Water Glycols

For further information or if the performance characteristics outlined above do not meet your own particular requirements, please consult your local Parker office.

Cartridge		Speed RPM								Displacement
Size	Displacement	1200	1500	1800	2100	2200	2300	2500	2800	
C	*03	0,80	0,80	0,80	0,80	0,80	0,80	0,80	1,00	*03
	*05									*05
	*06									*06
	*08									*08
	*10									*10
	*12									*12
	*14									*14
	*17									*17
	*20									*20
	*22									*22
	*25									*25
	*28									*28
D	*14	0,80	0,80	0,80	0,80	0,80	0,88	0,95	1,00	*14
	*17									*17
	*20									*20
	*24									*24
	*28									*28
	*31									*31
	*35									*35
	*38									*38
	*42									*42
	*45									*45
	*50									*50
	E									042
045		045								
050		050								
052		052								
062		062								
066		066								
072		072								
072		072								

Inlet pressure is measured at inlet flange with petroleum base fluids at a viscosity between 10 and 65 cSt. The difference between inlet pressure at the pump flange and atmospheric pressure must not exceed 0.2 bar to prevent aeration.

Multiply absolute pressure by 1.25 for HF-3, HF-4 fluids.
by 1.35 for HF-5 fluid.
by 1.10 for ester or rapeseed base.

Use highest cartridge absolute pressure for triple pumps.

GENERAL CHARACTERISTICS

	Mounting standard	Weight without connectors and bracket - kg	Moment of inertia km ² x 10 ⁻⁴	SAE 4 bolts J518c - ISO/DIS 6162-1			
				Suction	Pressure		
T6CR/ T6CRM	SAE J744c ISO/3019-1 SAE B	17,0	7,6	1.1/2"	1"		
T6DR/ T6DRM	SAE J744c ISO/3019-1 SAE C	29,0	23,4	2"	1.1/4"		
T6ER/ T6ERM		39,2	51,6	3"	1.1/2"		
T6DCCR		62,0	37,4	4"	P1	P2	P3
					1.1/4"	1"	1" or 3/4"
T6EDCR	250 B4HW ISO/3019-2	100,0	80,3	4"	1.1/2"	1.1/4"	1" or 3/4"

CALCULATION

<i>To resolve</i>		<i>Performances required</i>	
Volumetric displacement	V_i [ml/rev.]	Requested flow	Q [l/min] 60
Available flow	Q [l/min]	Speed	n [R.P.M.] 1500
Input Power	p [Kw]	Pressure	p [bar] 150

Routine :

Example :

1. First calculation $V_i = \frac{1000 Q}{n}$

$V_i = \frac{1000 \times 60}{1500} = 40 \text{ ml/rev.}$

2. Choose V_i of pump immediately greater (see tabulation)

T6CR 014 $V_i = 46 \text{ ml/rev.}$

3. Theoretical flow of this pump

$Q_{theo.} = \frac{V_i \times n}{1000}$

$Q_{theo.} = \frac{46 \times 1500}{1000} = 69 \text{ l/min}$

4. Find $Q_{per.}$ leakage function of pressure $Q_{per.} = f(p)$ on curve at 10 or 24 cSt

T6CR (page 10) : $Q_{per.} = 5 \text{ l/min at } 150 \text{ bar, } 24 \text{ cSt}$

5. Available flow $Q_{eff.} = Q_{theo.} - Q_{per.}$

$Q_{eff.} = 69 - 5 = 64 \text{ l/min}$

6. Theoretical input power curve

$P_{theo.} = \frac{Q_{theo.} \times p}{600}$

$P_{theo.} = \frac{69 \times 150}{600} = 17,3 \text{ kW}$

7. Find P_s hydrodynamic power loss on curve

T6CR (page 10) : P_s at 1500 R.P.M., 150 bar = 1,5 kW

8. Calculation of necessary input power

$P_{eff.} = P_{theo.} + P_s$

$P_{eff.} = 17,3 + 1,5 = 18,8 \text{ kW}$

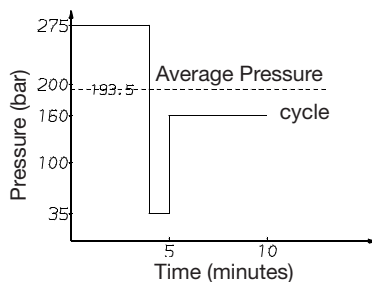
9. Results

$V_i = 46,0 \text{ ml/rev}$
 $Q_{eff.} = 64,0 \text{ l/min}$
 $P_{eff.} = 18,8 \text{ kW}$ } T6CR 014

These calculation steps must be followed for each application.

INTERMITTENT PRESSURE RATING

T6 units may be operated intermittently at pressures higher than the recommended continuous rating when the time weighted average of pressure is less than or equal to the continuous duty pressure rating. This intermittent pressure rating calculation is only valid if other parameters : speed, fluid, viscosity and contamination level are respected. For total cycle time higher than 15 minutes, please consult your Parker representative.



Example : T6CR - 014
 Duty cycle 4 min. at 275 bar
 1 min. at 35 bar
 5 min. at 160 bar

$\frac{(4 \times 275) + (1 \times 35) + (5 \times 160)}{10} = 193,5 \text{ bar}$

193,5 bar < 240 bar allowed as continuous pressure for T6CR - 014 with HF-0 fluid.

GENERAL

All Parker vane pumps are individually tested to provide the best quality & reliability. Modifications, conversions & repairs can only be done by authorized dealer or OEM to avoid invalidation of the guarantee.

The pumps are to be used in the design limits indicated in all the sales bulletins. Please contact Parker when trespassing the catalogue limits.

Do not modify or work on the pump under pressure or when the electric motor (or any drive) is on.

Qualified personnel is required to assemble and set-up hydraulic devices.

Always conform yourself to the valid regulations (safety, electrical, environment...).

Carefully following the below instructions will help in getting a long lasting pump.

**ROTATION WAY AND PORTS
INDICATION**

The rotation way and ports orientation are viewed from the shaft end.

CW stands for clockwise = Right-hand rotation.

CCW stands for counter-clockwise = Left-hand rotation.

PRE-START CHECKS

Before initial starting of the pump, the following checks should be made :

- a. Check the rotation of the power source to be sure the pump shaft will rotate in the direction indicated by the arrow on the pump nameplate.
- b. Check inlet and discharge lines to be sure all connections are tight and properly connected.
- c. Check fluid type, its cleanliness and level. Make sure it can freely reach the pump inlet.

**FILLING, AIR REMOVING &
PRIMING**

The pressure relief valve should be backed off to its minimum setting value so the pump is unloaded when started. Circuit priming and air bleed off have to be performed before resetting the pressure relief valve. For priming, a minimum pump shaft speed of 600 rpm is recommended. To prevent possible damage to the internal parts, the pump should never be started dry or without internal lubrication.

- Pump with positive head : allow the fluid to flow to the pump inlet, loosen the discharge port(s) fitting(s) until the fluid comes out and re-tighten the discharge line(s). Then start the pump which should prime quite instantly. Purge the air off the circuit, preferably using air bleed off valves or pressure test points. Let the pump discharge several minutes unloaded.

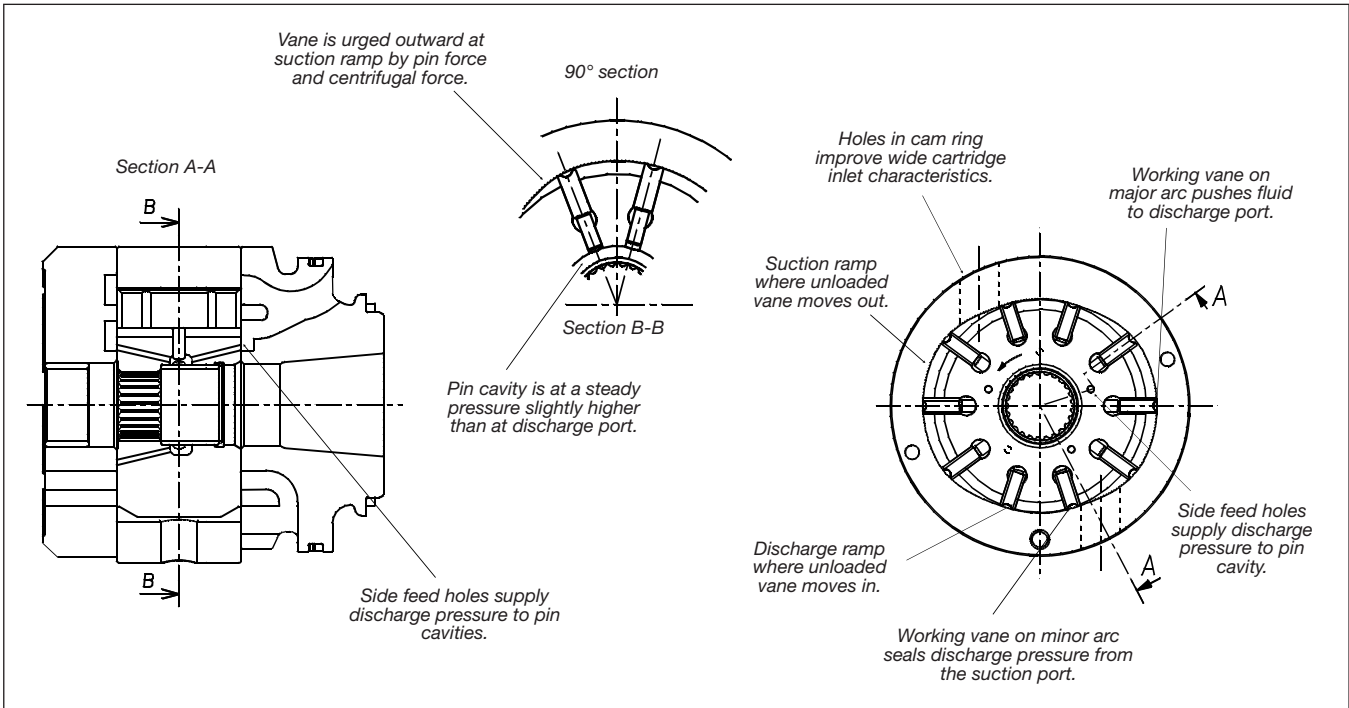
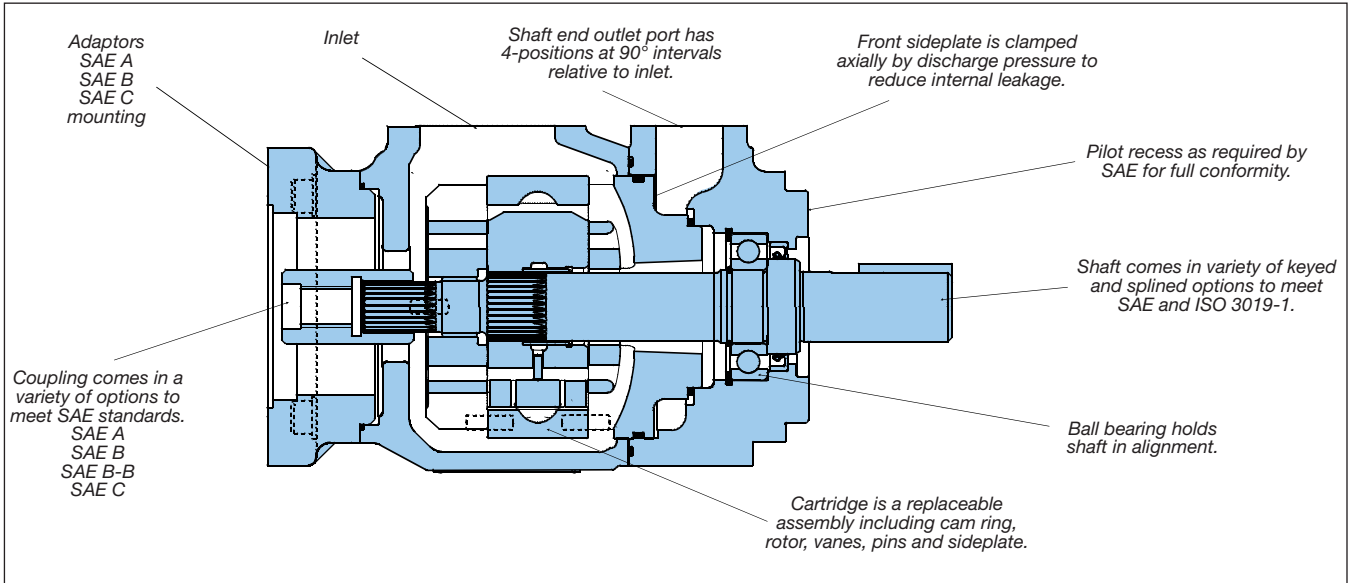
- Pump mounted above fluid level : fill the pump through outlet port(s) with suitable and clean fluid and start rotation in jog mode. Purge the air off the circuit, preferably using air bleed off valves or pressure test points. Let the pump discharge several minutes unloaded.

NOTE

If the pump does not prime properly or pressure cannot be obtained within seconds, it should be shut down and conditions corrected. Refer to the machine/vehicle manufacturer instructions and pump catalogue.

MAINTENANCE

The pump is self-lubricating and its preventive maintenance is limited to keeping the hydraulic fluid clean and maintaining its viscosity within the acceptable limits. Keep all fittings and screws tight. Do not operate at pressures or speeds in excess of the recommended limits. If the pump does not operate properly, check with the troubleshooting chart before attempting to overhaul the unit. The pump is fully serviceable.



APPLICATION ADVANTAGES

- High pressure capability up to 275 bar, in a small envelope, reduces the installation costs.
- High mechanical efficiency, typically 94%. Reduced heat generation.
- Wide speed range. Large size cartridge displacements. Lowest noise level.
- Low ripple pressure reduces the piping noise and increases the life time of other components in the circuit.
- High resistance to particle contamination and increased pump life thanks to the double lip vanes.
- Many of options (cam displacement, shaft, porting) for customized installation.

RECOMMENDED FLUIDS

Petroleum based antiwear R & O fluids.
 These fluids are the recommended fluids for T6 series pumps. Maximum catalog ratings and performance data are based on operation with these fluids. These fluids are covered by Denison fluids HF-0 and HF-2 specification.

ACCEPTABLE ALTERNATE FLUIDS

The use of fluids other than petroleum based antiwear R & O fluids requires that the maximum ratings of the pumps will be reduced. In some cases the minimum replenishment pressures must be increased. Consult specific sections for more details.

VISCOSITY

Max (cold start, low speed & pressure) _____	860 mm ² /s (cSt)
Max (full speed & pressure) _____	108 mm ² /s (cSt)
Optimum (max. life) _____	30 mm ² /s (cSt)
Min (full speed & pressure for HF-1, HF-3, HF-4 & HF-5 fluids) _____	18 mm ² /s (cSt)
Min (full speed & pressure for HF-0 & HF-2 fluids) _____	10 mm ² /s (cSt)

VISCOSITY INDEX

90° min. higher values extend range of operating temperatures.
 Maximum fluid temperature (θ) °C
 HF-0, HF-1, HF-2 _____ + 100° C
 HF-3, HF-4 _____ + 50° C
 HF-5 _____ + 70° C
 Biodegradable fluids (esters & rapeseed base) _____ + 65° C

Minimum fluid temperature (θ) °C
 HF-0, HF-1, HF-2, HF-5 _____ - 18° C
 HF-3, HF-4 _____ + 10° C
 Biodegradable fluids (esters & rapeseed base) _____ - 20° C

FLUID CLEANLINESS

The fluid must be cleaned before and during operation to maintain the contamination level of NAS 1638 class 8 (or ISO 19/17/14) or better. Filters with 25 micron (or better, β10 ≥ 100) nominal ratings may be adequate but do not guarantee the required cleanliness levels. Suction strainers must be of adequate size to provide the minimum inlet pressure specified. 100 mesh (150 micron) is the finest mesh recommended. Use oversize strainers or omit them altogether on applications which require cold starts or use fire resistant fluids.

OPERATING TEMPERATURES AND VISCOSITIES

Operating temperatures are a function of fluid viscosities, fluid type, and the pump. Fluid viscosity should be selected to provide the optimum viscosity at normal operating temperatures. For cold starts, the pumps should be operated at low speed and pressure until the fluid warms up to an acceptable viscosity for full power operation.

WATER CONTAMINATION IN THE FLUID

Maximum acceptable content of water.
 • 0.10% for mineral base fluids.
 • 0.05% for synthetic fluids, crankcase oils, biodegradable fluids.
 If amount of water is higher then it should be drained off the circuit.

COUPLINGS AND FEMALE SPLINES SPLINES

- The mating female spline should be free to float and find its own center. If both members are rigidly supported, they must be aligned within 0,15 TIR or less to reduce fretting. The angular alignment of two spline axes must be less than ± 0,05 per 25,4 radius.
- The coupling spline must be lubricated with a lithium molydisulfide grease or a similar lubricant.
- The coupling must be hardened to a hardness between 27 and 45 R.C.
- The female spline must be made to conform to the Class 1 fit as described in SAE-J498b (1971). This is described as a Flat Root Side Fit.

KEYED SHAFTS

Parker supplies the T6 series keyed shaft pumps with high strength heat-treated keys. Therefore, when installing or replacing these pumps, the heat-treated keys must be used in order to insure maximum life in the application. If the key is replaced, it must be a heat-treated key between 27 and 34 R.C. hardness. The corners of the keys must be chamfered from 0,76 to 1,02 at 45° to clear the radii in the key way. The alignment of keyed shafts must be within the tolerances given for splined shafts.

SHAFT LOADS

These products are primarily designed for coaxial drives which do not impose axial or side loading on the shaft. Consult specific sections for more details.

Ordering Code

Model No. T6CR (Y) - 022 - 1 L 00 - A 1 0 - A 1

Series
Y = Port flanges with metric threads

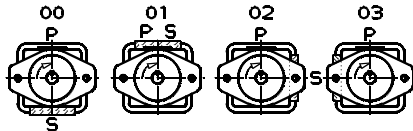
Cam ring
(Delivery at 0 bar & 1500 r.p.m.)
003 = 16,2 l/min 017 = 87,4 l/min
005 = 25,8 l/min 020 = 95,7 l/min
006 = 31,9 l/min 022 = 105,4 l/min
008 = 39,6 l/min 025 = 118,9 l/min
010 = 51,1 l/min 028 = 133,2 l/min
012 = 55,6 l/min 031 = 150,0 l/min
014 = 69,0 l/min

Type of shaft
1 = keyed (SAE BB) 4 = splined (SAE BB)
2 = keyed (non SAE) 5 = keyed (non SAE)
3 = splined (SAE B)

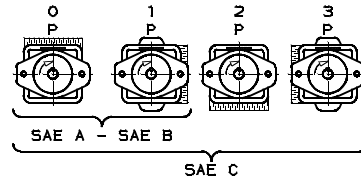
Direct. of rotation (view on shaft end)
R = clockwise
L = counter-clockwise

Porting combination
00 = standard

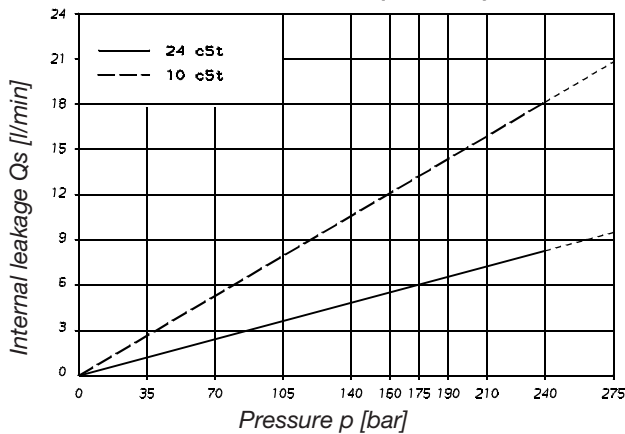
Modification
Seal class
1 = S1 (for mineral oil)
4 = S4 (for the resistant fluids)
5 = S5 (for mineral oil and fire resistant fluids)
Design letter
Porting adaptor
Coupling
1 = SAE A 4 = SAE C
2 = SAE B 5 = SAE J498b
3 = SAE BB 16/32 - 11 teeth
Adaptor
0 = None B = SAE B
A = SAE A C = SAE C



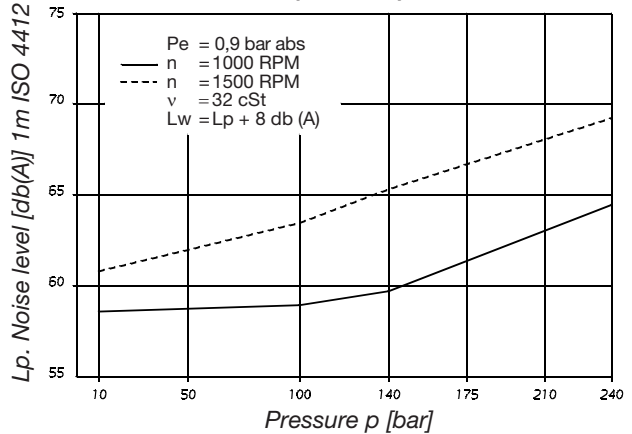
Porting adaptor



INTERNAL LEAKAGE (TYPICAL)

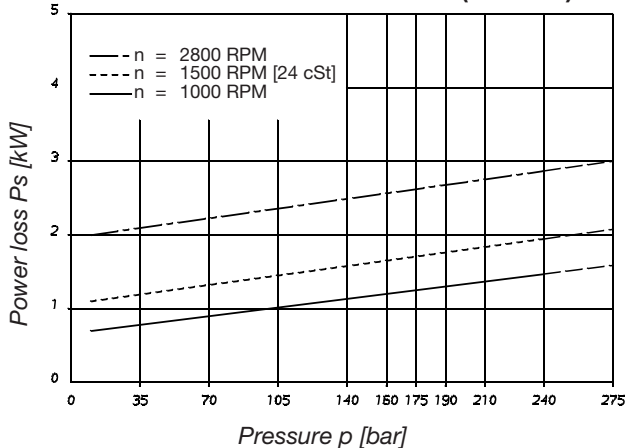


NOISE LEVEL (TYPICAL) - T6CR - 022

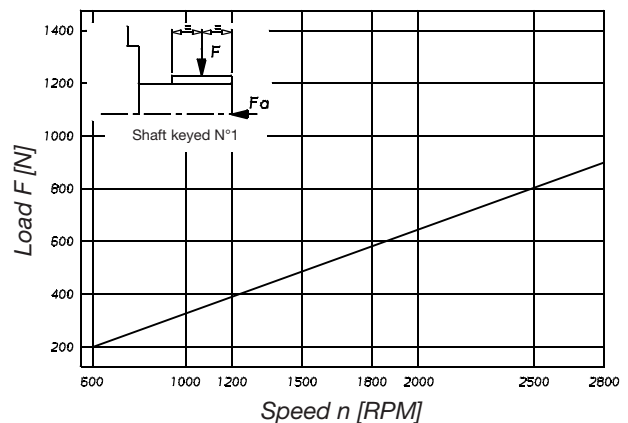


Do not operate the pump more than 5 seconds at any speed or viscosity if internal leakage is more than 50% of theoretical flow

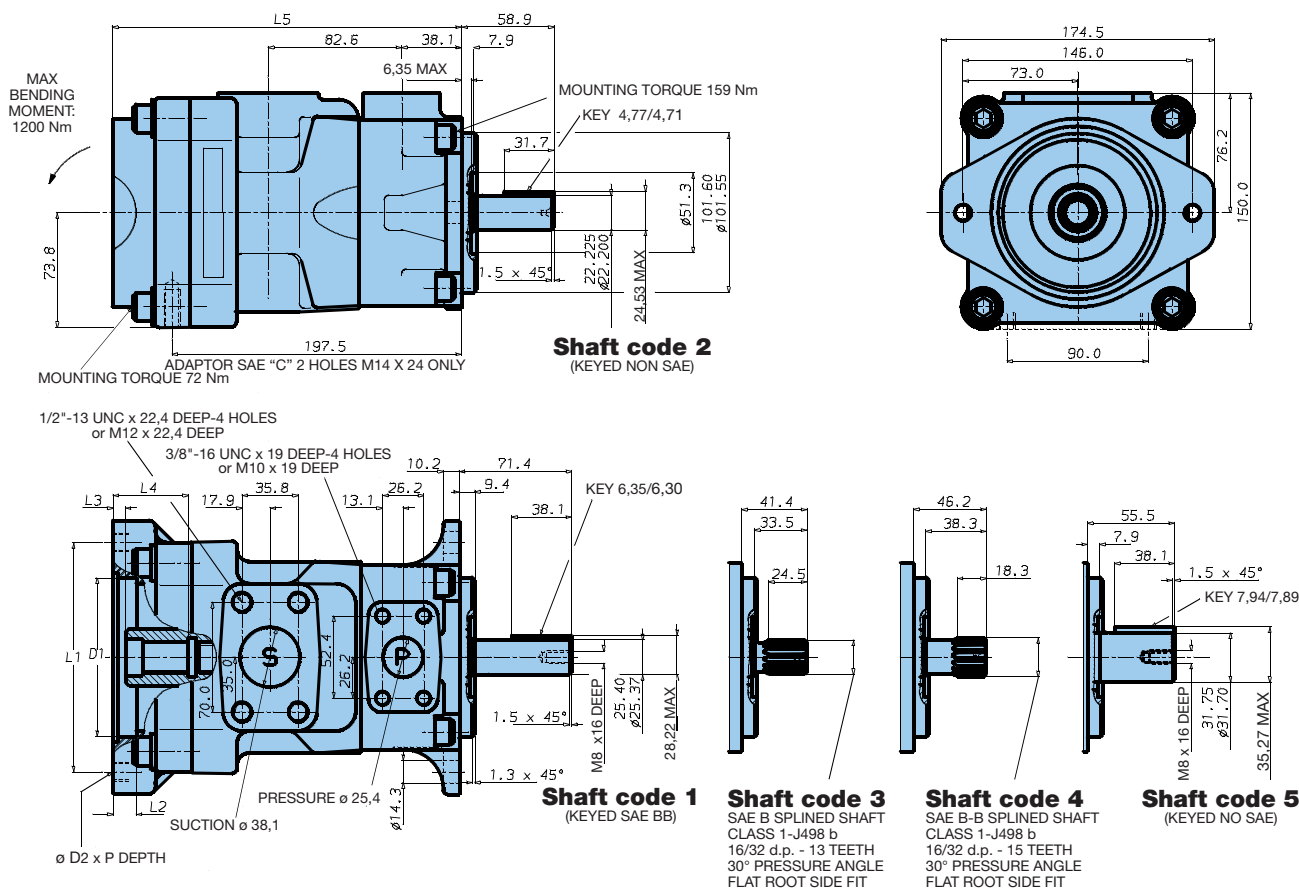
POWER LOSS HYDROMECHANICAL (TYPICAL)



PERMISSIBLE RADIAL LOAD



Maximum permissible axial load Fa = 800 N



Adaptor	D1	D2	P	L1	L2	L3	L4	L5
SAE A	82,65/82,60	M10	24	106,4	11,0	8,0	32,0	209,0
SAE B	101,70/101,65	M12	28	146,0	16,0	8,0	46,0	223,0
SAE C	127,10/127,05	M16	-	181,0	16,0	8,0	56,0	233,0

Weight 20,4 kg

Adaptor	SAE A			SAE B		SAE C
Coupling drive	SAE A	SAE 11 teeth	SAE B	SAE B	SAE BB	SAE C
Number of teeth	9	11	13	13	15	14
Pitch	16/32	16/32	16/32	16/32	16/32	12/24
Pressure angle	30°	30°	30°	30°	30°	30°
Major dia. (min)	15,875	19,05	22,225	22,225	25,400	31,750
Minor dia. (min)	12,700	16,017	19,134	19,134	22,268	27,589

Shaft torque limits [ml/rev x bar]			
Shaft	Vi x p max.	Coupling drive	Vi x p max.
1	21420	SAE A	11000
2	14300	SAE B	20600
3	20600	SAE BB	22050
4	32670	SAE C	22050
5	34180	SAE - 11 teeth	15850

OPERATING CHARACTERISTICS - TYPICAL [24 cSt]

Series	Volumetric Displacement Vi	Flow Q [l/min] & n = 1500 RPM			Input power P [kW] & n = 1500 RPM		
		p = 0 bar	p = 140 bar	p = 240 bar	p = 7 bar	p = 140 bar	p = 240 bar
003	10,8 ml/rev	16,2	11,2	7,7	1,3	5,3	8,4
005	17,2 ml/rev	25,8	20,8	17,3	1,4	7,5	12,2
006	21,3 ml/rev	31,9	26,9	23,4	1,5	8,9	14,7
008	26,4 ml/rev	39,6	34,6	31,1	1,6	10,7	17,7
010	34,1 ml/rev	51,1	46,1	42,6	1,7	13,4	22,3
012	37,1 ml/rev	55,6	50,6	47,1	1,7	14,4	24,1
014	46,0 ml/rev	69,0	64,0	60,5	1,9	17,6	29,5
017	58,3 ml/rev	87,4	82,4	78,9	2,1	21,9	36,9
020	63,8 ml/rev	95,7	90,7	87,2	2,2	23,8	40,2
022	70,3 ml/rev	105,4	100,4	96,9	2,3	26,1	44,1
025 ¹⁾	79,3 ml/rev	118,9	113,9	110,4	2,5	29,2	49,5
028 ¹⁾	88,8 ml/rev	133,2	128,2	125,8 ²⁾	2,8	32,7	48,5 ²⁾
031 ¹⁾	100,0 ml/rev	150,0	145,0	142,6 ²⁾	2,8	36,5	54,4 ²⁾

¹⁾ 025 - 028 - 031 = 2500 R.P.M. max. ²⁾ 028 - 031 = 210 bar max. int. Port connection can be furnished with metric threads.

Ordering Code

Model No. T6DR (Y) - 022 - 1 L 00 - A 1 0 - A 1

Series

Y = Port flanges with metric threads

Cam ring

(Delivery at 0 bar & 1500 r.p.m.)

014 = 71,4 l/min	035 = 166,5 l/min
017 = 87,3 l/min	038 = 180,4 l/min
020 = 99,0 l/min	042 = 204,0 l/min
024 = 119,3 l/min	045 = 218,5 l/min
028 = 134,5 l/min	050 = 237,0 l/min
031 = 147,4 l/min	

Type of shaft

- 1 = keyed (SAE C)
- 2 = keyed (SAE CC)
- 3 = splined (SAE C)
- 5 = keyed (non SAE)

Direct. of rotation (view on shaft end)

- R = clockwise
- L = counter-clockwise

Porting combination

00 = standard

Modification

Seal class

- 1 = S1 (for mineral oil)
- 4 = S4 (for the resistant fluids)
- 5 = S5 (for mineral oil and fire resistant fluids)

Design letter

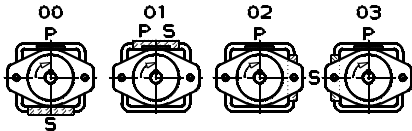
Porting adaptor

Coupling

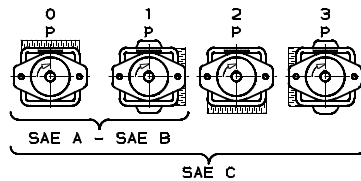
- 1 = SAE A
- 2 = SAE B
- 3 = SAE BB
- 4 = SAE C
- 5 = SAE J498b
- 16/32 - 11 teeth

Adaptor

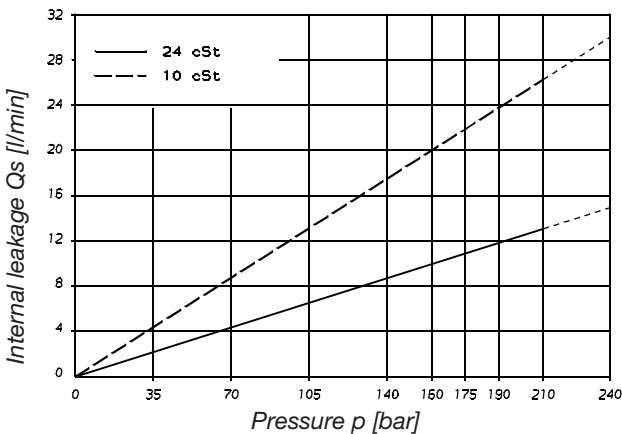
- 0 = None
- A = SAE A
- B = SAE B
- C = SAE C



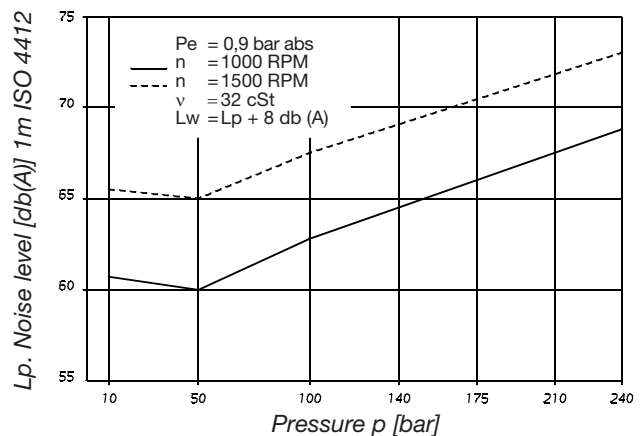
Porting adaptor



INTERNAL LEAKAGE (TYPICAL)

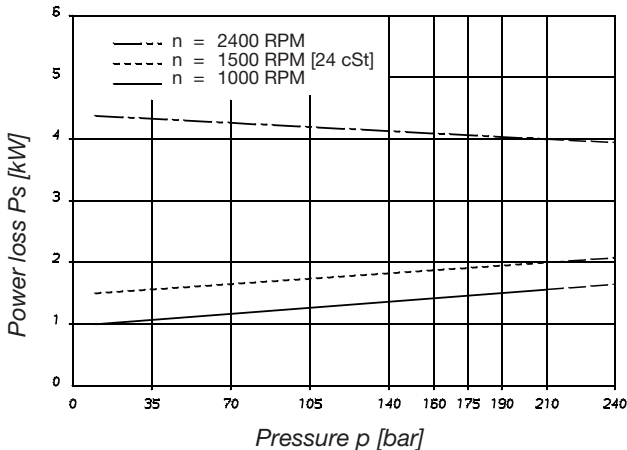


NOISE LEVEL (TYPICAL) - T6DR - 038

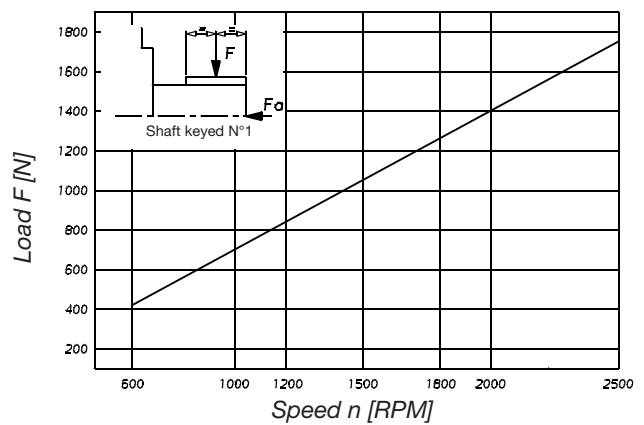


Do not operate the pump more than 5 seconds at any speed or viscosity if internal leakage is more than 50% of theoretical flow

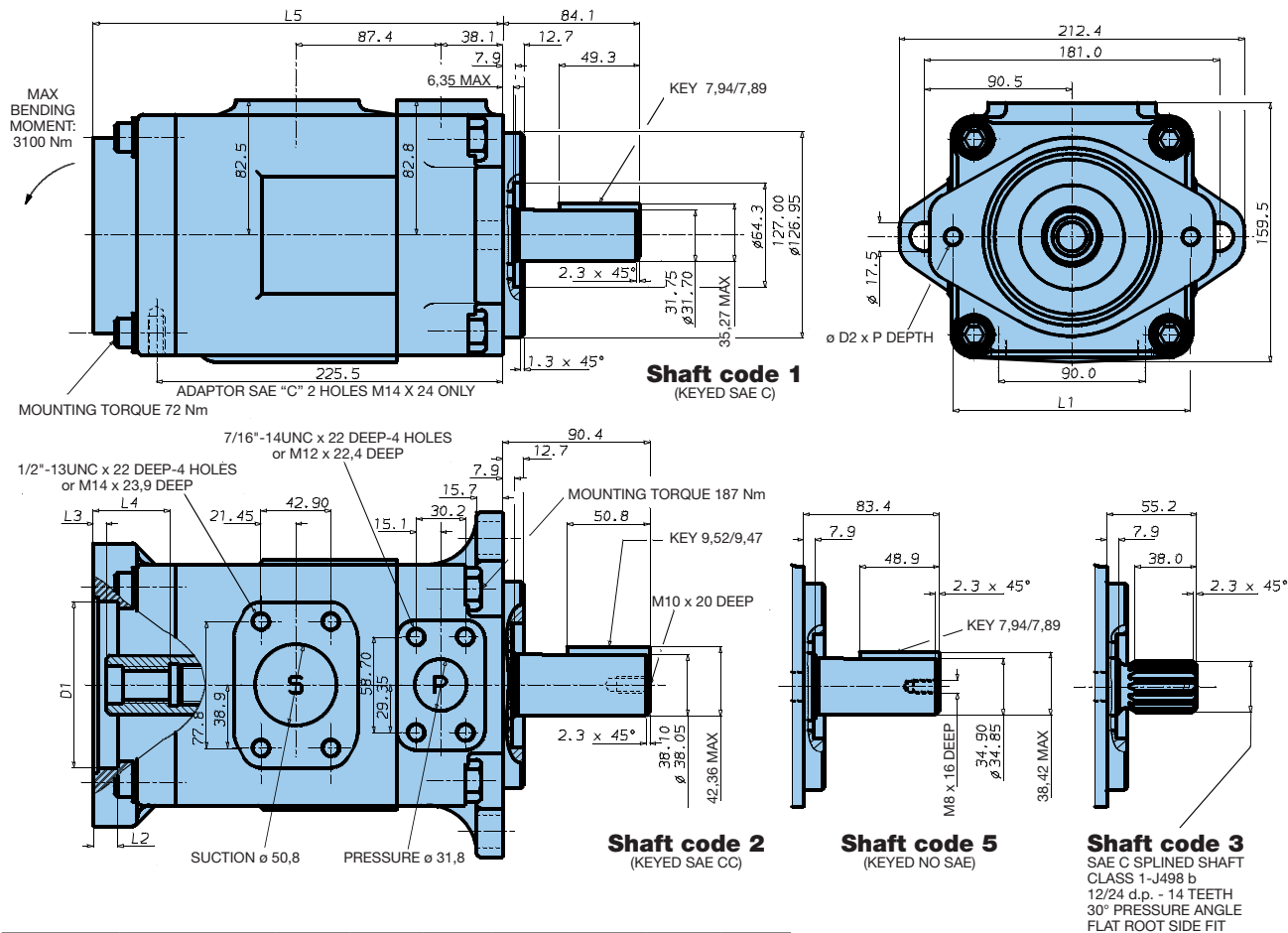
POWER LOSS HYDROMECHANICAL (TYPICAL)



PERMISSIBLE RADIAL LOAD



Maximum permissible axial load Fa = 1200 N



Adaptor	D1	D2	P	L1	L2	L3	L4	L5
SAE A	82,65/82,60	M10	24	106,4	11,0	8,0	32,0	237,0
SAE B	101,70/101,65	M12	28	146,0	16,0	8,0	46,0	251,0
SAE C	127,10/127,05	M16	-	181,0	16,0	8,0	56,0	261,0

Weight 32,3 kg

Adaptor	SAE A			SAE B		SAE C
Coupling drive	SAE A	SAE 11 teeth	SAE B	SAE B	SAE BB	SAE C
Number of teeth	9	11	13	13	15	14
Pitch	16/32	16/32	16/32	16/32	16/32	12/24
Pressure angle	30°	30°	30°	30°	30°	30°
Major dia. (min)	15,875	19,05	22,225	22,225	25,400	31,750
Minor dia. (min)	12,700	16,017	19,134	19,134	22,268	27,589

Shaft torque limits [ml/rev x bar]			
Shaft	Vi x p max.	Coupling drive	Vi x p max.
1	43240	SAE A	11000
2	66036	SAE B	20600
3	61200	SAE BB	32670
5	55600	SAE C	37390
		SAE - 11 teeth	15850

OPERATING CHARACTERISTICS - TYPICAL [24 cSt]

Series	Volumetric Displacement Vi	Flow Q [l/min] & n = 1500 RPM			Input power P [kW] & n = 1500 RPM		
		p = 0 bar	p = 140 bar	p = 240 bar	p = 7 bar	p = 140 bar	p = 240 bar
014	47,6 ml/rev	71,4	62,1	55,9	2,3	18,5	30,6
017	58,2 ml/rev	87,3	78,0	71,8	2,5	22,2	37,0
020	66,0 ml/rev	99,0	89,7	83,5	2,8	24,9	41,7
024	79,5 ml/rev	119,3	110,0	103,8	3,0	29,6	49,8
028	89,7 ml/rev	134,5	125,2	119,0	3,2	33,2	55,9
031	98,3 ml/rev	147,4	138,1	131,9	3,3	36,2	61,1
035	111,0 ml/rev	166,5	157,2	151,0	3,5	40,7	68,7
038	120,3 ml/rev	180,4	171,1	164,9	3,7	43,9	74,3
042 ¹⁾	136,0 ml/rev	204,0	194,7	188,5	4,0	49,4	83,7
045 ¹⁾	145,7 ml/rev	218,5	209,2	203,0	4,1	52,8	89,5
050 ¹⁾	158,0 ml/rev	237,0	227,7	224,0 ²⁾	4,4	57,0	85,0 ²⁾

¹⁾ 042 - 045 - 050 = 2200 R.P.M. max.

²⁾ 050 = 210 bar max. int.

Port connection can be furnished with metric threads.

Ordering Code

Model No. T6ER (Y) - 066 - 1 R 00 - A 1 0 - A 1 ..

Series

Y = Port flanges with metric threads

Cam ring

(Delivery at 0 bar & 1500 r.p.m.)

042 = 198,5 l/min 062 = 295,0 l/min
045 = 213,6 l/min 066 = 319,9 l/min
050 = 237,7 l/min 072 = 340,6 l/min
052 = 247,2 l/min

Type of shaft

1 = keyed (SAE CC)
3 = splined (SAE C)
4 = splined (SAE CC)

Direct. of rotation (view on shaft end)

R = clockwise
L = counter-clockwise

Porting combination

00 = standard

Modification

Seal class

1 = S1 (for mineral oil)
4 = S4 (for the resistant fluids)
5 = S5 (for mineral oil and fire resistant fluids)

Design letter

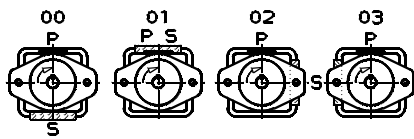
Porting adaptor

Coupling

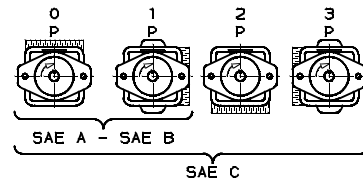
1 = SAE A 4 = SAE C
2 = SAE B 5 = SAE J498b
3 = SAE BB 16/32 - 11 teeth

Adaptor

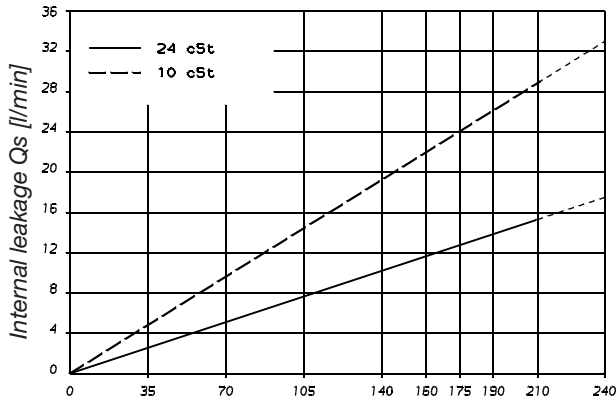
0 = None B = SAE B
A = SAE A C = SAE C



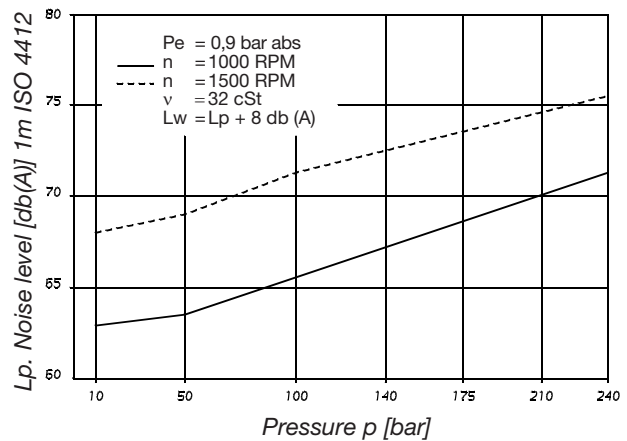
Porting adaptor



INTERNAL LEAKAGE (TYPICAL)

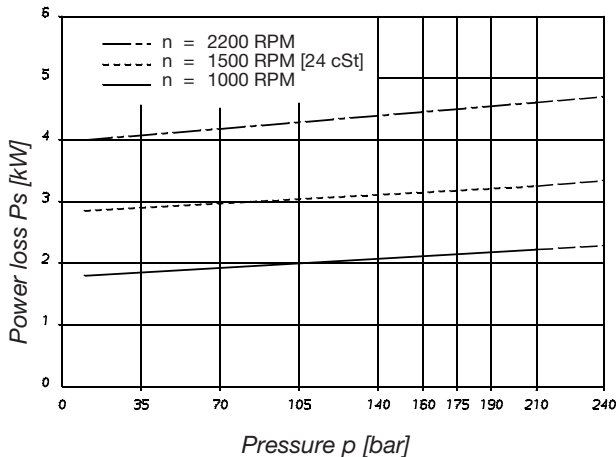


NOISE LEVEL (TYPICAL) - T6ER - 050

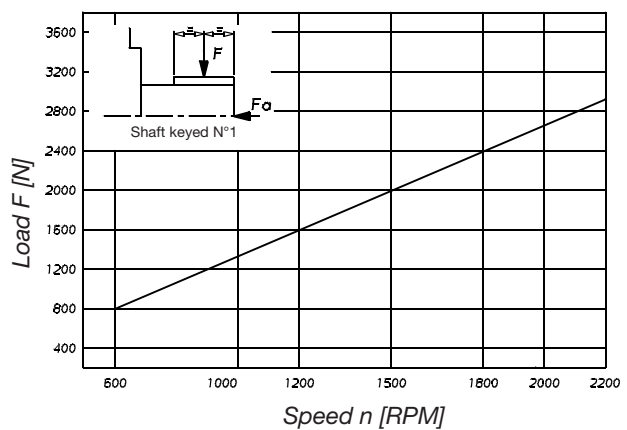


Do not operate the pump more than 5 seconds at any speed or viscosity if internal leakage is more than 50% of theoretical flow

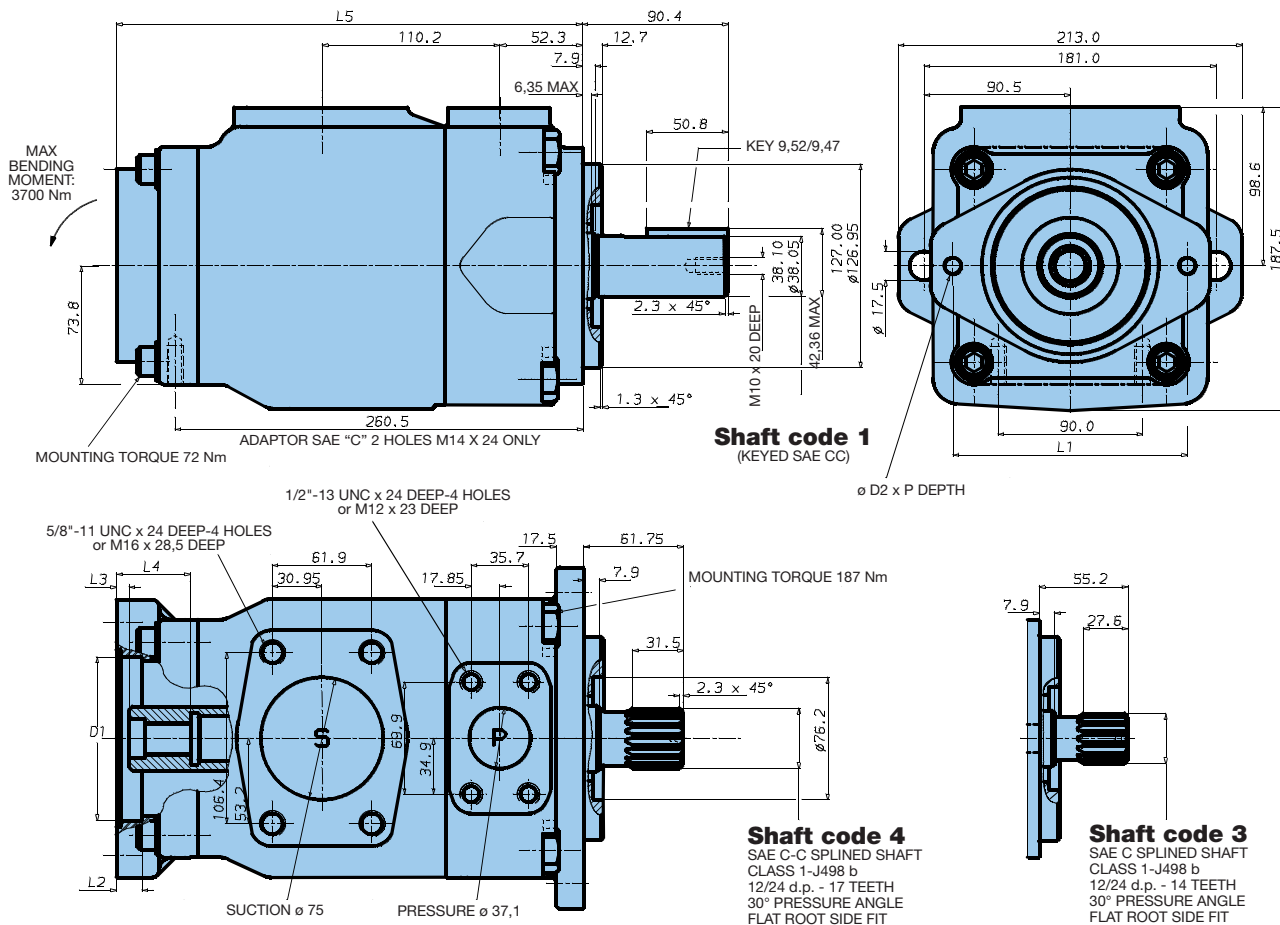
POWER LOSS HYDROMECHANICAL (TYPICAL)



PERMISSIBLE RADIAL LOAD



Maximum permissible axial load Fa = 2000 N



Weight 42.5 kg

Adaptor	D1	D2	P	L1	L2	L3	L4	L5
SAE A	82,65/82,60	M10	24	106,4	11,0	8,0	32,0	272,0
SAE B	101,70/101,65	M12	28	146,0	16,0	8,0	46,0	286,0
SAE C	127,10/127,05	M16	-	181,0	16,0	8,0	56,0	296,0

Adaptor	SAE A			SAE B		SAE C
Coupling drive	SAE A	SAE 11 teeth	SAE B	SAE B	SAE BB	SAE C
Number of teeth	9	11	13	13	15	14
Pitch	16/32	16/32	16/32	16/32	16/32	12/24
Pressure angle	30°	30°	30°	30°	30°	30°
Major dia. (min)	15,875	19,05	22,225	22,225	25,400	31,750
Minor dia. (min)	12,700	16,017	19,134	19,134	22,268	27,589

Shaft torque limits [ml/rev x bar]			
Shaft	Vi x p max.	Coupling drive	Vi x p max.
1	80560	SAE A	11000
2	61200	SAE B	20600
4	120210	SAE BB	32670
		SAE C	66480
		SAE - 11 teeth	15850

OPERATING CHARACTERISTICS - TYPICAL [24 cSt]

Series	Volumetric Displacement Vi	Flow Q [l/min] & n = 1500 RPM			Input power P [kW] & n = 1500 RPM		
		p = 0 bar	p = 140 bar	p = 240 bar	p = 7 bar	p = 140 bar	p = 240 bar
042	132,3 ml/rev	198,5	188,5	181,3	5,2	49,4	82,6
045	142,4 ml/rev	213,6	203,6	196,5	5,4	52,9	88,7
050	158,5 ml/rev	237,7	227,7	220,6	5,7	58,5	98,3
052	164,8 ml/rev	247,2	237,2	230,1	5,8	60,8	102,1
062	196,7 ml/rev	295,0	285,0	277,7	6,4	71,9	121,3
066	213,3 ml/rev	319,9	309,9	302,8	6,7	77,7	131,2
072	227,1 ml/rev	340,6	330,6	323,5	6,9	82,6	139,5

Port connection can be furnished with metric threads.

Model No. **T6DCCR - 038 - 028 - 008 - 2 R 00 - A 1 - 00 ..**

Series

Rear cap end for mounting
SAE A auxiliary pump

Cam ring for "P1"

(Delivery at 0 bar & 1500 r.p.m.)

014 = 71,4 l/min	035 =166,5 l/min
017 = 87,3 l/min	038 =180,4 l/min
020 = 99,0 l/min	042 =204,0 l/min
024 =119,3 l/min	045 =218,5 l/min
028 =134,5 l/min	050 =237,0 l/min
031 =147,4 l/min	

Cam ring for "P2" & "P3"

(Delivery at 0 bar & 1500 r.p.m.)

003 = 16,2 l/min	017 = 87,4 l/min
005 = 25,8 l/min	020 = 95,7 l/min
006 = 31,9 l/min	022 =105,4 l/min
008 = 39,6 l/min	025 =118,9 l/min
010 = 51,1 l/min	028 =133,2 l/min
012 = 55,6 l/min	031 =150,0 l/min
014 = 69,0 l/min	

Modification

Mounting W/connection variables
4 bolts SAE flange (J518c)

Type	UNC		Metric	
P3	1"	3/4"	1"	3/4"
Code	00	01	M0	M1

Seal class

1 = S1 (for mineral oil)
4 = S4 (for the resistant fluids)
5 = S5 (for mineral oil and fire resistant fluids)

Design letter

Porting combination (see pages 22 - 23)

00 = standard

Direct. of rotation (view on shaft end)

R = clockwise
L = counter-clockwise

Type of shaft

2 = keyed (SAE CC)
3 = splined (SAE D & E)

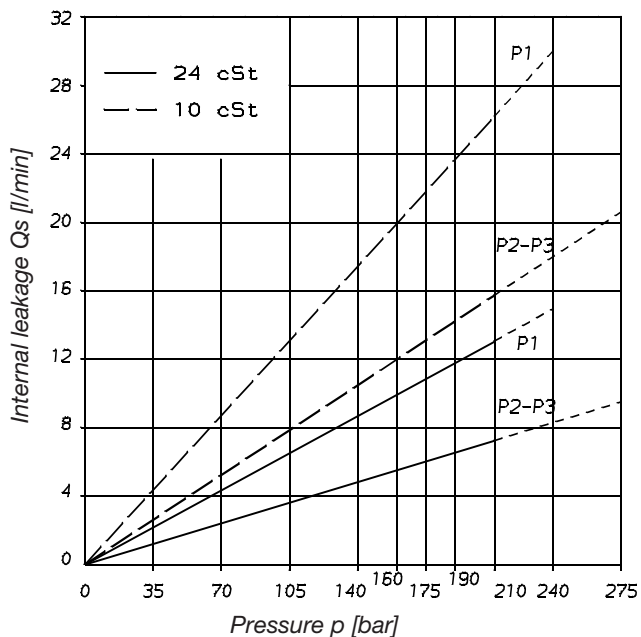
OPERATING CHARACTERISTICS - TYPICAL [24 cSt]

Pressure Port	Series	Volumetric Displacement Vi	Flow Q [l/min] & n = 1500 RPM			Input power P [kW] & n = 1500 RPM		
			p = 0 bar	p = 140 bar	p = 240 bar	p = 7 bar	p = 140 bar	p = 240 bar
P1	014	47,6 ml/rev	71,4	62,1	55,9	2,3	18,5	30,6
	017	58,2 ml/rev	87,3	78,0	71,8	2,5	22,2	37,0
	020	66,0 ml/rev	99,0	89,7	83,5	2,8	24,9	41,7
	024	79,5 ml/rev	119,3	110,0	103,8	3,0	29,6	49,8
	028	89,7 ml/rev	134,5	125,2	119,0	3,2	33,2	55,9
	031	98,3 ml/rev	147,4	138,1	131,9	3,3	36,2	61,0
	035	111,0 ml/rev	166,5	157,2	151,0	3,5	40,7	68,7
	038	120,3 ml/rev	180,4	171,1	164,9	3,7	43,9	74,3
	042 ²⁾	136,0 ml/rev	204,0	194,7	188,5	4,0	49,4	83,9
	045 ²⁾	145,7 ml/rev	218,5	209,2	203,0	4,1	52,8	89,5
050 ²⁾	158,0 ml/rev	237,0	227,7	224,0 ¹⁾	4,4	57,0	85,0 ¹⁾	
P2 & P3	003	10,8 ml/rev	16,2	11,2	7,7	1,3	5,3	8,4
	005	17,2 ml/rev	25,8	20,8	17,3	1,4	7,5	12,2
	006	21,3 ml/rev	31,9	26,9	23,4	1,5	8,9	14,7
	008	26,4 ml/rev	39,6	34,6	31,1	1,6	10,7	17,7
	010	34,1 ml/rev	51,1	46,1	42,6	1,7	13,4	22,3
	012	37,1 ml/rev	55,6	50,6	47,1	1,7	14,4	24,1
	014	46,0 ml/rev	69,0	64,0	60,5	1,9	17,6	29,5
	017	58,3 ml/rev	87,4	82,4	78,9	2,1	21,9	36,9
	020	63,8 ml/rev	95,7	90,7	87,2	2,2	23,8	40,2
	022	70,3 ml/rev	105,4	100,4	96,9	2,3	26,1	44,1
	025	79,3 ml/rev	118,9	113,9	110,4	2,5	29,2	49,5
	028	88,8 ml/rev	133,2	128,2	125,8 ¹⁾	2,8	32,7	48,5 ¹⁾
	031	100,0 ml/rev	150,0	145,0	142,6 ¹⁾	2,8	36,5	54,4 ¹⁾

¹⁾ 028 - 031 - 050 = 210 bar max. int.

²⁾ 042 - 045 - 050 = 2200 R.P.M max.

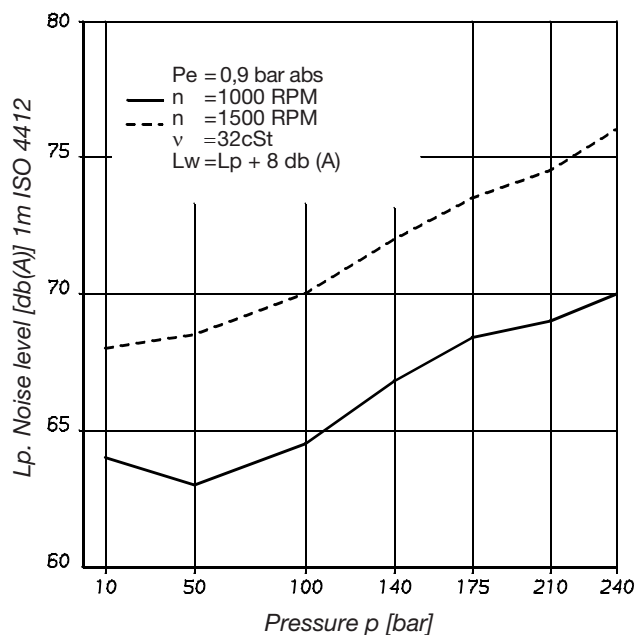
INTERNAL LEAKAGE (TYPICAL)



Total leakage is the sum of each section loss at its operating conditions.

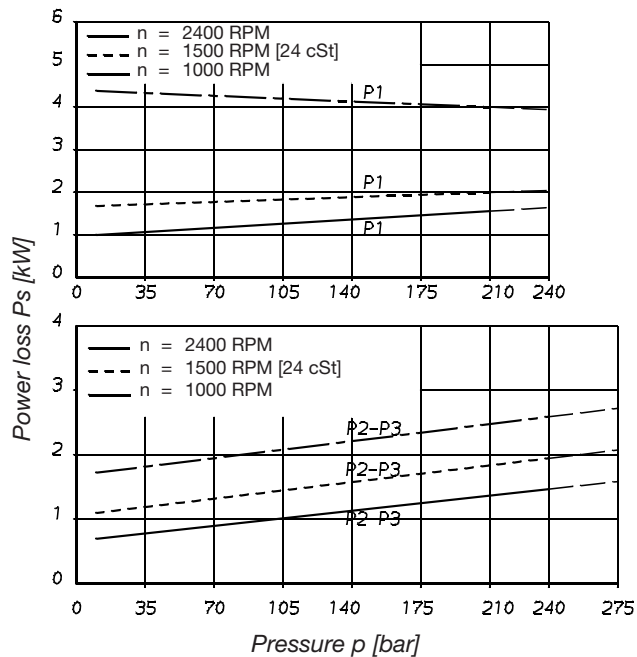
Do not operate the pump more than 5 seconds at any speed or viscosity if internal leakage is more than 50% of theoretical flow

NOISE LEVEL (TYPICAL)
T6DCCR - 038 - 022 - 022



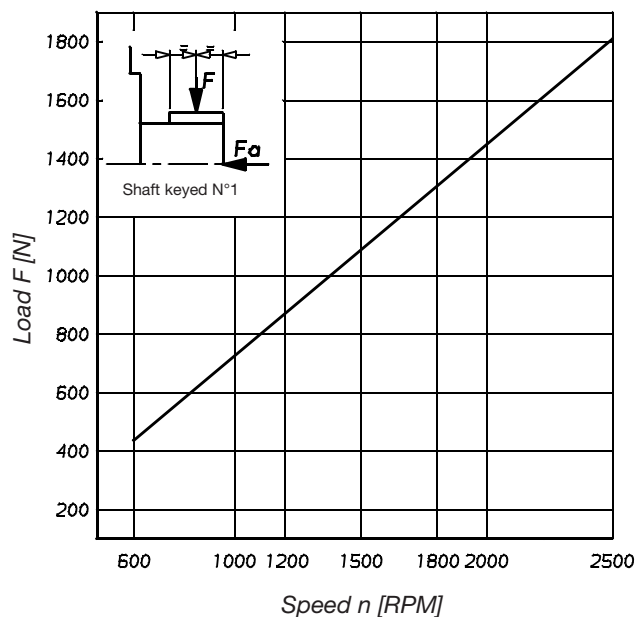
Triple pump noise level is given with each section discharging at the pressure noted on the curve.

HYDROMECHANICAL POWER LOSS (TYPICAL)



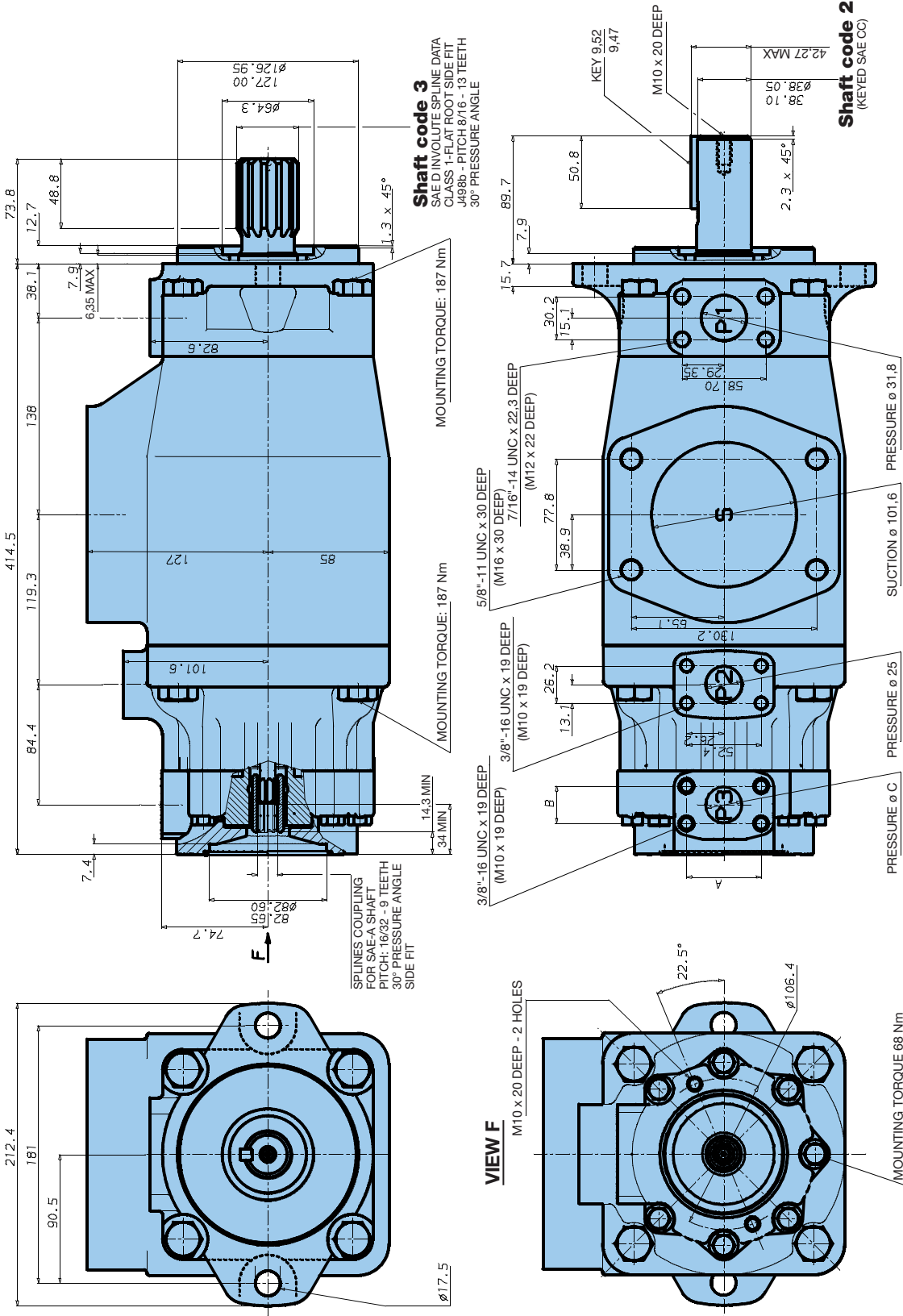
Total hydrodynamic power loss is the sum of each section at its operating conditions.

PERMISSIBLE RADIAL LOAD

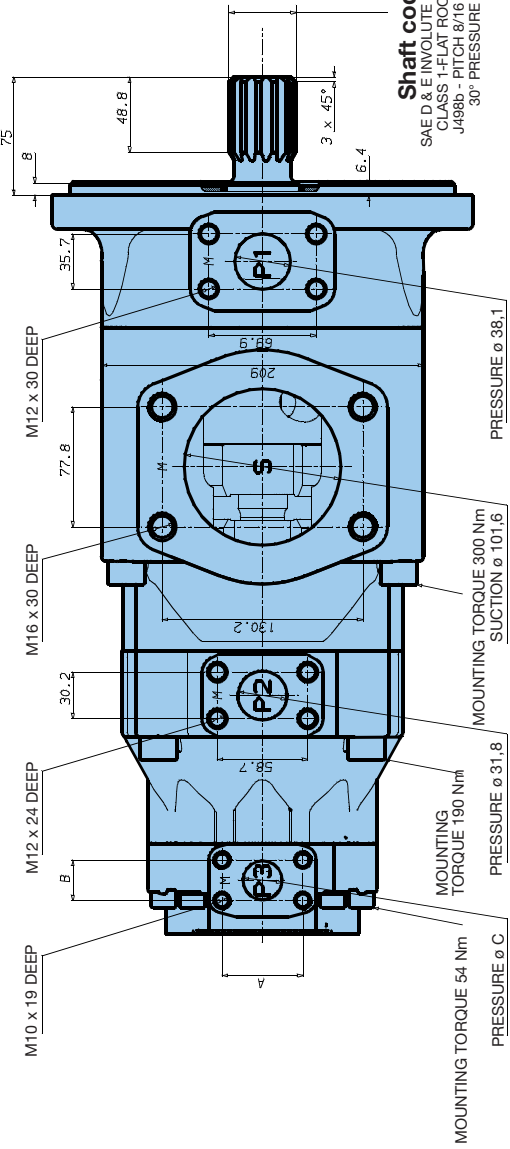
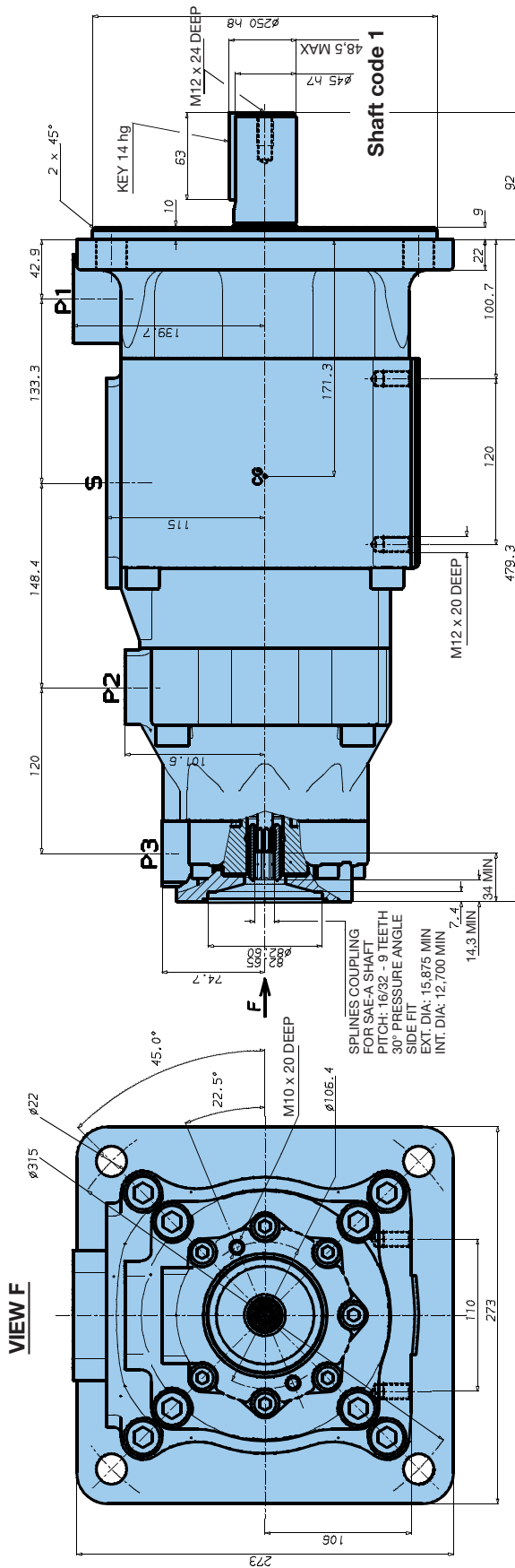


Maximum permissible axial load $F_a = 1200\text{ N}$

Weight 62,0 kg



Weight 100,0 kg



Shaft torque limits [ml/rev x bar]		
Pump	Shaft	Vi x p max. P1 + P2 + P3
TE6DCR	3	61200
Coupling	SAE "A"	Vi x p max. = 3456

Alternative ports				
Port	Code	A	B	ϕ C
P3	00	52,4	26,2	25,4
P3	01	47,6	22,2	19,0

Model No. T6EDCR - 062 - 035 - 017 - 1 R 00 - A P 1- 00 ..

Series _____
Rear cap end for mounting SAE A auxiliary pump

Cam ring for "P1"
(Delivery at 0 bar & 1500 r.p.m.)
042 = 198,5 l/min 062 = 295,0 l/min
045 = 213,6 l/min 066 = 319,9 l/min
050 = 237,7 l/min 072 = 340,6 l/min
052 = 247,2 l/min

Cam ring for "P2"
(Delivery at 0 bar & 1500 r.p.m.)
014 = 71,4 l/min 035 = 166,5 l/min
017 = 87,3 l/min 038 = 180,4 l/min
020 = 99,0 l/min 042 = 204,0 l/min
024 = 119,3 l/min 045 = 218,5 l/min
028 = 134,5 l/min 050 = 237,0 l/min
031 = 147,4 l/min

Cam ring for "P3"
(Delivery at 0 bar & 1500 r.p.m.)
003 = 16,2 l/min 012 = 55,6 l/min 022 = 105,4 l/min
005 = 25,8 l/min 014 = 69,0 l/min 025 = 118,9 l/min
006 = 31,9 l/min 017 = 87,4 l/min 028 = 133,2 l/min
008 = 39,6 l/min 020 = 95,7 l/min 031 = 150,0 l/min
010 = 51,1 l/min

Modification

Mounting W/connection variables

0 = P3 = 1" SAE
1 = P3 = 3/4" SAE

Options

P = 4 holes for external support

Seal class

1 = S1 (for mineral oil)
4 = S4 (for the resistant fluids)
5 = S5 (for mineral oil and fire resistant fluids)

Design letter

Porting combination (see pages 22 - 23)

00 = standard

Direct. of rotation (view on shaft end)

R = clockwise
L = counter-clockwise

Type of shaft

1 = keyed (G45N - ISO 3019-2)
3 = splined (SAE D & E)

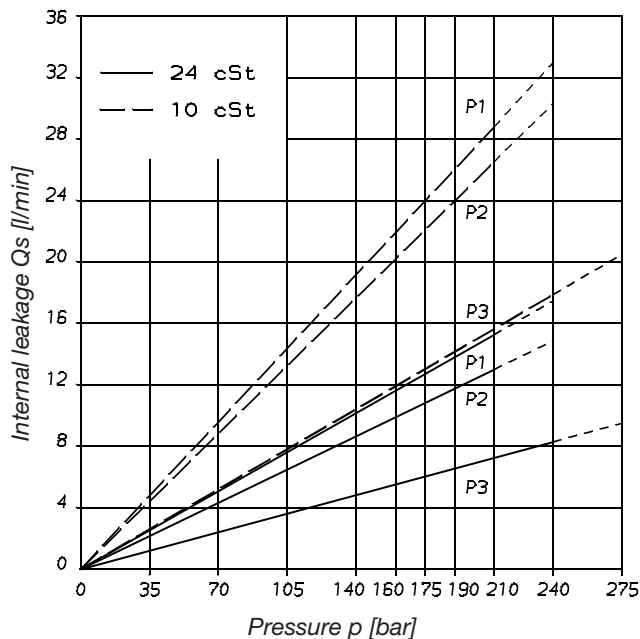
OPERATING CHARACTERISTICS - TYPICAL [24 cSt]

Pressure Port	Series	Volumetric Displacement Vi	Flow Q [l/min] & n = 1500 RPM			Input power P [kW] & n = 1500 RPM		
			p = 0 bar	p = 140 bar	p = 240 bar	p = 7 bar	p = 140 bar	p = 240 bar
P1	042	132,3 ml/rev	198,5	188,5	181,3	5,2	49,4	82,6
	045	142,4 ml/rev	213,6	203,6	196,5	5,4	52,9	88,7
	050	158,5 ml/rev	237,7	227,7	220,6	5,7	58,5	98,3
	052	164,8 ml/rev	247,2	237,2	230,1	5,8	60,8	102,1
	062	196,7 ml/rev	295,0	285,0	277,9	6,4	71,9	121,3
	066	213,3 ml/rev	319,9	309,9	302,8	6,7	77,7	131,2
	072	227,1 ml/rev	340,6	330,6	323,5	6,9	82,6	139,5
P2	014	47,6 ml/rev	71,4	62,1	55,9	2,3	18,5	30,6
	017	58,2 ml/rev	87,3	78,0	71,8	2,5	22,2	37,0
	020	66,0 ml/rev	99,0	89,7	83,5	2,8	24,9	41,7
	024	79,5 ml/rev	119,3	110,0	103,8	3,0	29,6	49,8
	028	89,7 ml/rev	134,5	125,2	119,0	3,2	33,2	55,9
	031	98,3 ml/rev	147,4	138,1	131,9	3,3	36,2	61,0
	035	111,0 ml/rev	166,5	157,2	151,0	3,5	40,7	68,7
	038	120,3 ml/rev	180,4	171,1	164,9	3,7	43,9	74,3
	042 ²⁾	136,0 ml/rev	204,0	194,7	188,5	4,0	49,4	83,7
	045 ²⁾	145,7 ml/rev	218,5	209,2	203,0	4,1	52,8	89,5
050 ²⁾	158,0 ml/rev	237,0	227,7	224,0 ¹⁾	4,4	57,0	85,0 ¹⁾	
P3	003	10,8 ml/rev	16,2	11,2	7,7	1,3	5,3	8,4
	005	17,2 ml/rev	25,8	20,8	17,3	1,4	7,5	12,2
	006	21,3 ml/rev	31,9	26,9	23,4	1,5	8,9	14,7
	008	26,4 ml/rev	39,6	34,6	31,1	1,6	10,7	17,7
	010	34,1 ml/rev	51,1	46,1	42,6	1,7	13,4	22,3
	012	37,1 ml/rev	55,6	50,6	47,1	1,7	14,4	24,1
	014	46,0 ml/rev	69,0	64,0	60,5	1,9	17,6	29,5
	017	58,3 ml/rev	87,4	82,4	78,9	2,1	21,9	36,9
	020	63,8 ml/rev	95,7	90,7	87,2	2,2	23,8	40,2
	022	70,3 ml/rev	105,4	100,4	96,9	2,3	26,1	44,1
	025	79,3 ml/rev	118,9	113,9	110,4	2,5	29,2	49,5
	028	88,8 ml/rev	133,2	128,2	125,8 ¹⁾	2,8	32,7	48,5 ¹⁾
	031	100,0 ml/rev	150,0	145,0	142,6 ¹⁾	2,8	36,5	54,4 ¹⁾

¹⁾ 028 - 031 - 050 = 210 bar max. int.

²⁾ 042 - 045 - 050 = 2200 R.P.M max.

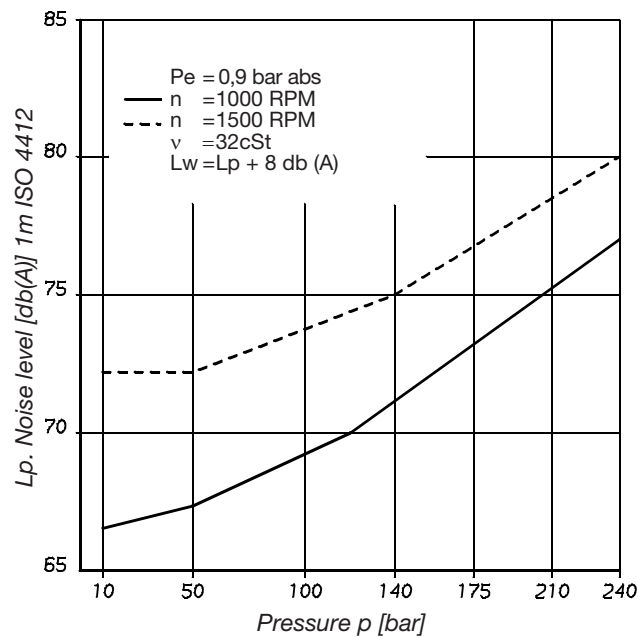
INTERNAL LEAKAGE (TYPICAL)



Total leakage is the sum of each section loss at its operating conditions.

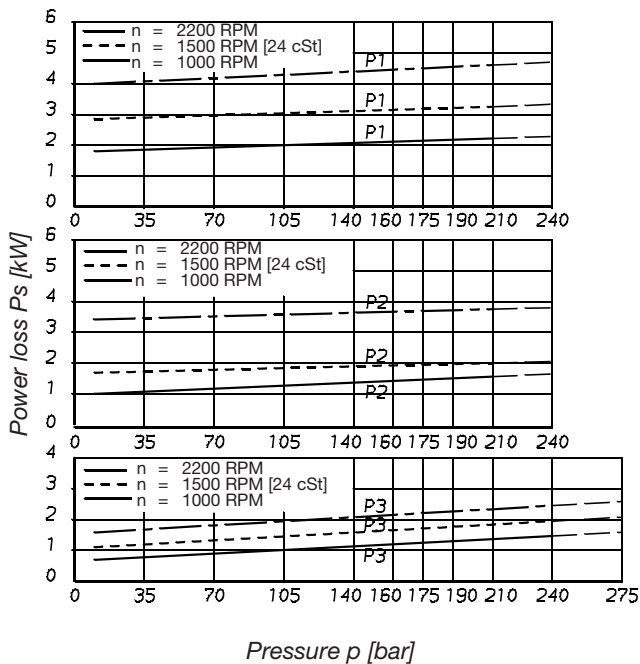
Do not operate the pump more than 5 seconds at any speed or viscosity if internal leakage is more than 50% of theoretical flow

NOISE LEVEL (TYPICAL)
T6EDCR - 062 - 035 - 017



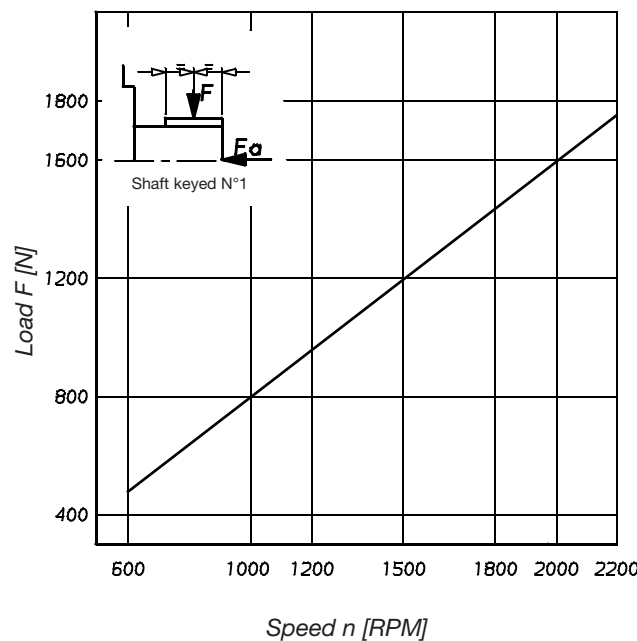
Triple pump noise level is given with each section discharging at the pressure noted on the curve.

HYDROMECHANICAL POWER LOSS (TYPICAL)



Total hydrodynamic power loss is the sum of each section at its operating conditions.

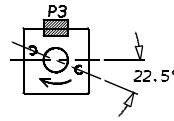
PERMISSIBLE RADIAL LOAD



Maximum permissible axial load $F_a = 2000 \text{ N}$

Industrial application

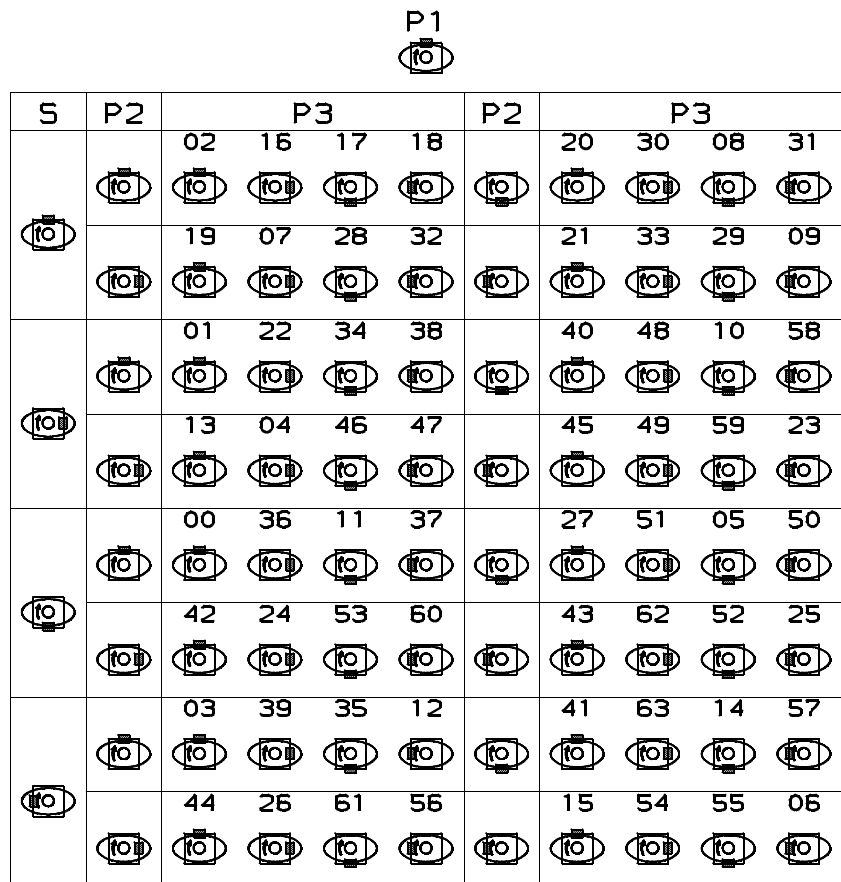
T6DCCR - T6EDCR
 (View from shaft end)

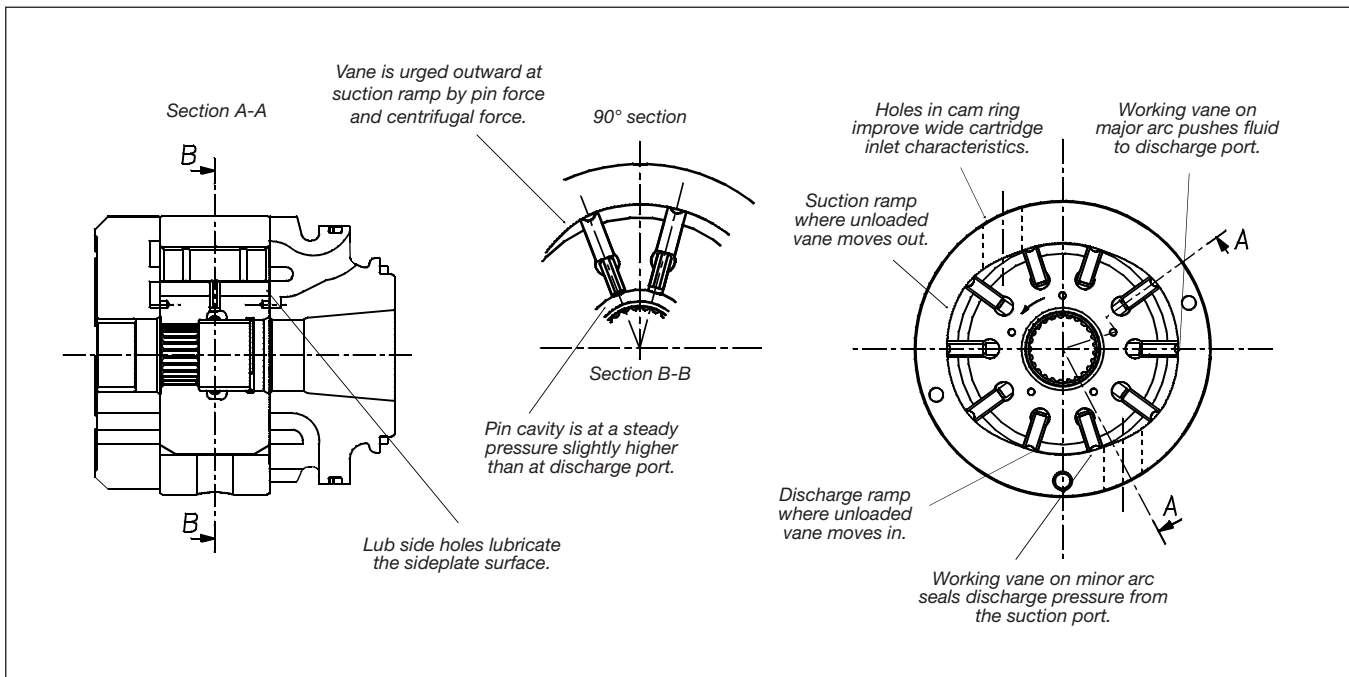
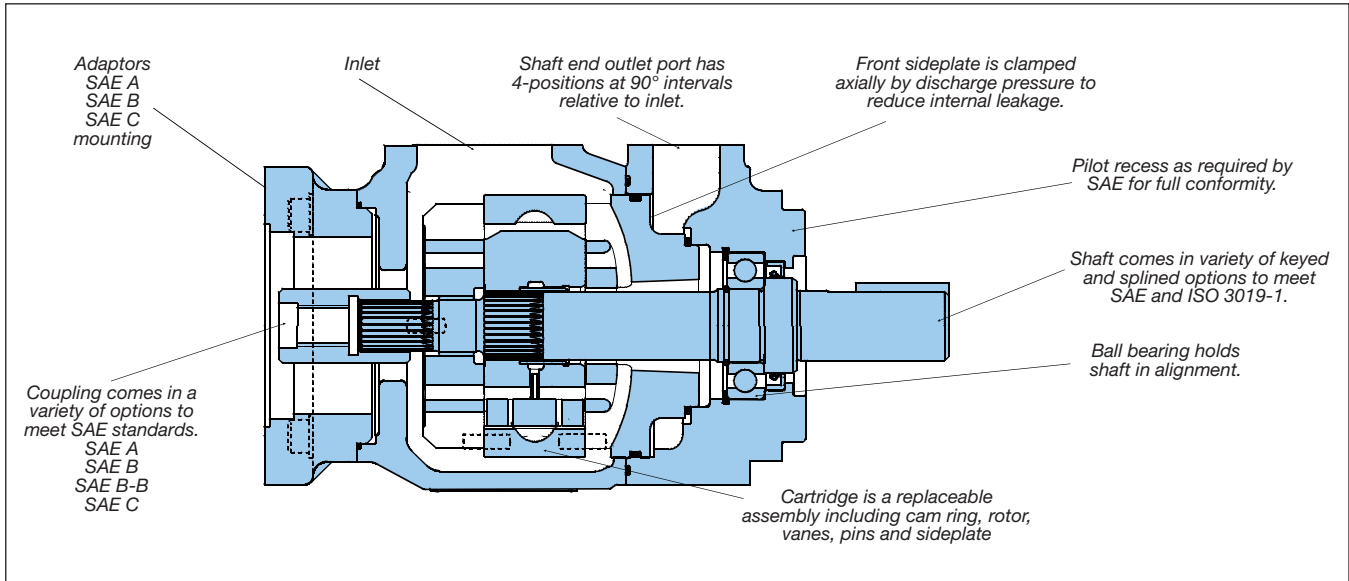


00 P1-P2-P3 	01 P1-P2-P3 	02 S-P1-P2-P3 	03 P1-P2-P3 	04 P1 	05 P1 	06 P1 	07 P1-S
08 P1-S 	09 P1-S 	10 P1 	11 P1-P2 	12 P1-P2 	13 P1-P3 	14 P1 	15 P1-P3
16 S-P1-P2 	17 S-P1-P2 	18 S-P1-P2 	19 S-P1-P3 	20 S-P1-P3 	21 S-P1-P3 	22 P1-P2 	23 P1
24 P1 	25 P1 	26 P1 	27 P1-P3 	28 P1-S 	29 P1-S 	30 P1-S 	31 P1-S
32 P1-S 	33 P1-S 	34 P1-P2 	35 P1-P2 	36 P1-P2 	37 P1-P2 	38 P1-P2 	39 P1-P2
40 P1-P3 	41 P1-P3 	42 P1-P3 	43 P1-P3 	44 P1-P3 	45 P1-P3 	46 P1 	47 P1
48 P1 	49 P1 	50 P1 	51 P1 	52 P1 	53 P1 	54 P1 	55 P1
56 P1 	57 P1 	58 P1 	59 P1 	60 P1 	61 P1 	62 P1 	63 P1

Industrial application

T6DCCR - T6EDCR
 (View from shaft end)





APPLICATION ADVANTAGES

- High pressure capability up to 275 bar, in a small envelope, reduces the installation costs.
- High mechanical efficiency, typically 94%. Reduced heat generation.
- Wide speed range. Large size cartridge displacements Lowest noise level.
- Low speed 400 RPM, low pressure, high viscosity 2000 cSt allowing applications in cold environments with minimum energy consumption.
- Low ripple pressure reduces the piping noise and increases the life time of other components in the circuit.
- High resistance to particle contamination and increased pump life thanks to the double lip vanes.
- Many of options (cam displacement, shaft, porting) for customized installation.

RECOMMENDED FLUIDS

Petroleum based antiwear R & O fluids.
 These fluids are the recommended fluids for T6 series pumps. Maximum catalog ratings and performance data are based on operation with these fluids. These fluids are covered by Denison fluid HF-0 and HF-2 specification.

ACCEPTABLE ALTERNATE FLUIDS

The use of fluids other than petroleum based antiwear R & O fluids requires that the maximum ratings of the pumps will be reduced. In some cases the minimum replenishment pressures must be increased. Consult specific sections for more details.

VISCOSITY

Max (cold start, low speed & pressure) _____ 2000 mm²/s (cSt)
 Max (full speed & pressure) _____ 108 mm²/s (cSt)
 Optimum (max. life) _____ 30 mm²/s (cSt)
 Min (full speed & pressure for HF-1, HF-3, HF-4 & HF-5 fluids) _____ 18 mm²/s (cSt)
 Min (full speed & pressure for HF-0 & HF-2 fluids) _____ 10 mm²/s (cSt)

VISCOSITY INDEX

90° min. higher values extend range of operating temperatures.
 Maximum fluid temperature (θ) °C
 HF-0, HF-1, HF-2 _____ + 100°C
 HF-3, HF-4 _____ + 50°C
 HF-5 _____ + 70°C
 Biodegradable fluids (esters & rapeseed base) _____ + 65°C

Minimum fluid temperature (θ) °C
 HF-0, HF-1, HF-2, HF-5 _____ - 18°C
 HF-3, HF-4 _____ + 10°C
 Biodegradable fluids (esters & rapeseed base) _____ - 20°C

FLUID CLEANLINESS

The fluid must be cleaned before and during operation to maintain the contamination level of NAS 1638 class 8 (or ISO 19/17/14) or better. Filters with 25 micron (or better, β10 ≥ 100) nominal ratings may be adequate but do not guarantee the required cleanliness levels. Suction strainers must be of adequate size to provide the minimum inlet pressure specified. 100 mesh (150 micron) is the finest mesh recommended. Use oversize strainers or omit them altogether on applications which require cold starts or use fire resistant fluids.

OPERATING TEMPERATURES AND VISCOSITIES

Operating temperatures are a function of fluid viscosities, fluid type, and the pump. Fluid viscosity should be selected to provide the optimum viscosity at normal operating temperatures. For cold starts, the pumps should be operated at low speed and pressure until the fluid warms up to an acceptable viscosity for full power operation.

WATER CONTAMINATION IN THE FLUID

Maximum acceptable content of water.
 • 0.10% for mineral base fluids.
 • 0.05% for synthetic fluids, crankcase oils, biodegradable fluids.
 If amount of water is higher then it should be drained off the circuit.

COUPLINGS AND FEMALE SPLINES SPLINES

- The mating female spline should be free to float and find its own center. If both members are rigidly supported, they must be aligned within 0,15 TIR or less to reduce fretting. The angular alignment of two spline axes must be less than ± 0.05 per 25.4 radius..
- The coupling spline must be lubricated with a lithium molydisulfide grease or a similar lubricant.
- The coupling must be hardened to a hardness between 27 and 45 R.C.
- The female spline must be made to conform to the Class 1 fit as described in SAE-J498b (1971). This is described as a Flat Root Side Fit.

KEYED SHAFTS

Parker supplies the T6 series keyed shaft pumps with high strength heat-treated keys. Therefore, when installing or replacing these pumps, the heat-treated keys must be used in order to insure maximum life in the application. If the key is replaced, it must be a heat-treated key between 27 and 34 R.C. hardness. The corners of the keys must be chamfered from 0,76 to 1,02 at 45° to clear the radii in the key way. The alignment of keyed shafts must be within the tolerances given for splined shafts.

SHAFT LOADS

These products are primarily designed for coaxial drives which do not impose axial or side loading on the shaft. Consult specific sections for more details.

Ordering Code

**Hydraulic Pumps, Fixed
Series T6CRM, Denison Mobile Vane Pumps**

Model No. T6CRM (Y) - B22 - 1 R 00 - A 1 0 - A 1 ..

Series

Y = Port flanges with metric threads

Cam ring

(Delivery at 0 bar & 1500 r.p.m.)

B03 = 16,2 l/min	B17 = 87,4 l/min
B05 = 25,8 l/min	B20 = 95,7 l/min
B06 = 31,9 l/min	B22 = 105,4 l/min
B08 = 39,6 l/min	B25 = 118,9 l/min
B10 = 51,1 l/min	B28 = 133,2 l/min
B12 = 55,6 l/min	B31 = 150,0 l/min
B14 = 69,0 l/min	

Type of shaft

- 1 = keyed (SAE BB)
- 2 = keyed (non SAE)
- 3 = splined (SAE B)
- 4 = splined (SAE BB)
- 5 = keyed (non SAE)

Direct. of rotation (view on shaft end)

- R = clockwise
- L = counter-clockwise

Porting combination

00 = standard

Modification

Seal class

- 1 = S1 (for mineral oil)
- 4 = S4 (for the resistant fluids)
- 5 = S5 (for mineral oil and fire resistant fluids)

Design letter

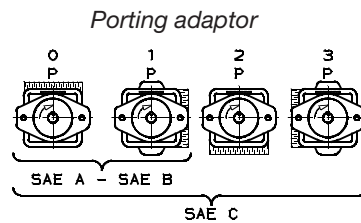
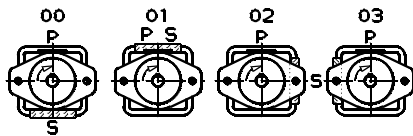
Porting adaptor

Coupling

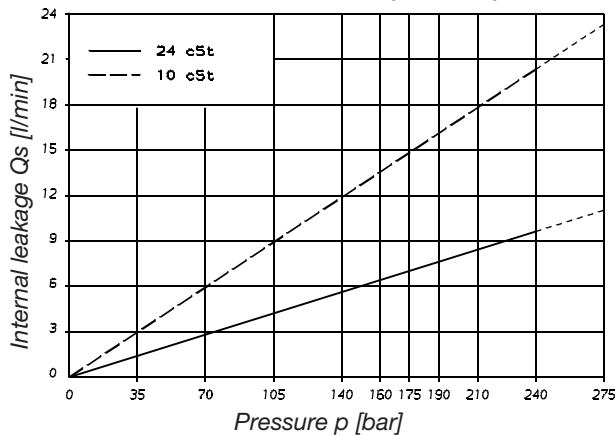
- 1 = SAE A
- 2 = SAE B
- 3 = SAE BB
- 4 = SAE C
- 5 = SAE J498b
- 16/32 - 11 teeth

Adaptor

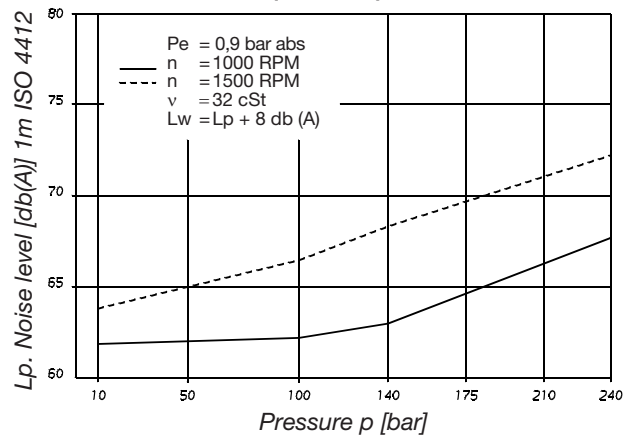
- 0 = None
- A = SAE A
- B = SAE B
- C = SAE C



INTERNAL LEAKAGE (TYPICAL)

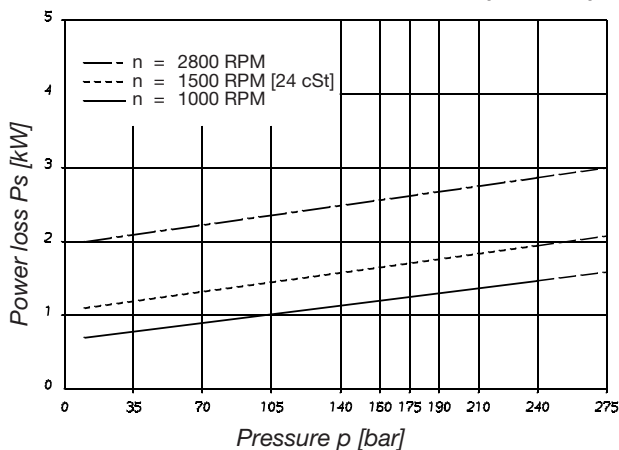


NOISE LEVEL (TYPICAL) - T6CRM - B22

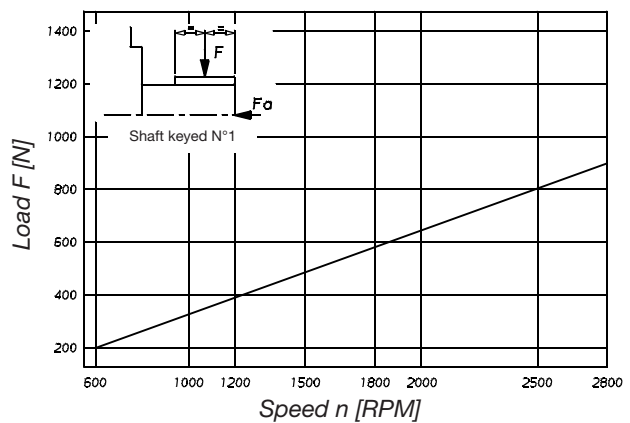


Do not operate the pump more than 5 seconds at any speed or viscosity if internal leakage is more than 50% of theoretical flow.

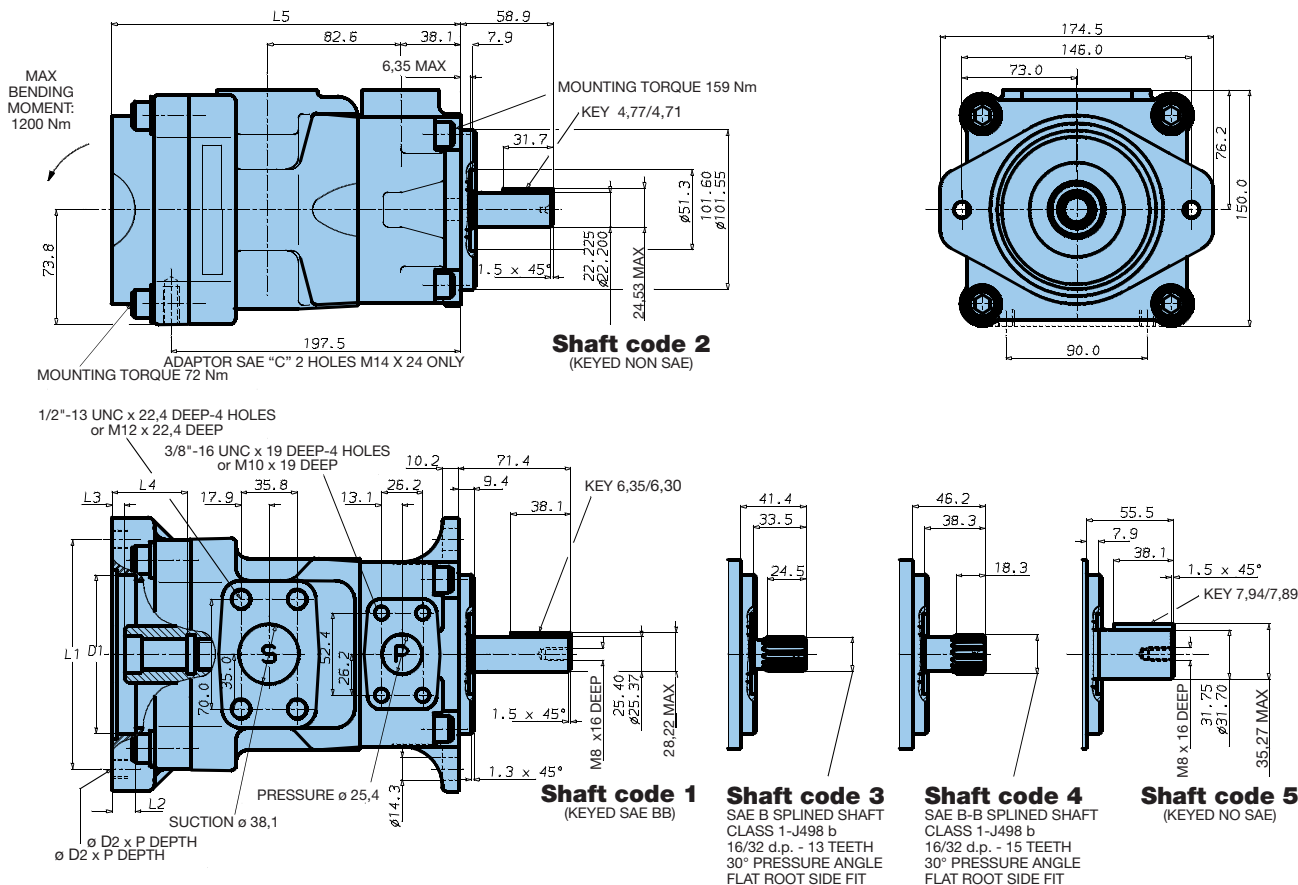
POWER LOSS HYDROMECHANICAL (TYPICAL)



PERMISSIBLE RADIAL LOAD



Maximum permissible axial load $F_a = 800$ N



Adaptor	D1	D2	P	L1	L2	L3	L4	L5
SAE A	82,65/82,60	M10	24	106,4	11,0	8,0	32,0	209,0
SAE B	101,70/101,65	M12	28	146,0	16,0	8,0	46,0	223,0
SAE C	127,10/127,05	M16	-	181,0	16,0	8,0	56,0	233,0

Weight 20.4 kg

Adaptor	SAE A			SAE B		SAE C
Coupling drive	SAE A	SAE 11 teeth	SAE B	SAE B	SAE BB	SAE C
Number of teeth	9	11	13	13	15	14
Pitch	16/32	16/32	16/32	16/32	16/32	12/24
Pressure angle	30°	30°	30°	30°	30°	30°
Major dia. (min)	15,875	19,05	22,225	22,225	25,400	31,750
Minor dia. (min)	12,700	16,017	19,134	19,134	22,268	27,589

Shaft torque limits [ml/rev x bar]			
Shaft	Vi x p max.	Coupling drive	Vi x p max.
1	21420	SAE A	11000
2	14300	SAE B	20600
3	20600	SAE BB	22050
4	32670	SAE C	22050
5	34180	SAE - 11 teeth	15850

OPERATING CHARACTERISTICS - TYPICAL [24 cSt]

Series	Volumetric Displacement Vi	Flow Q [l/min] & n = 1500 RPM			Input power P [kW] & n = 1500 RPM		
		p = 0 bar	p = 140 bar	p = 240 bar	p = 7 bar	p = 140 bar	p = 240 bar
B03	10,8 ml/rev	16,2	11,2	7,7	1,3	5,3	8,4
B05	17,2 ml/rev	25,8	20,8	17,3	1,4	7,5	12,2
B06	21,3 ml/rev	31,9	26,9	23,4	1,5	8,9	14,7
B08	26,4 ml/rev	51,1	46,1	42,6	1,7	13,4	22,3
B10	34,1 ml/rev	55,6	50,6	47,1	1,7	14,4	24,1
B12	37,1 ml/rev	55,6	50,6	47,1	1,7	14,4	24,1
B14	46,0 ml/rev	69,0	64,0	60,5	1,9	17,6	29,5
B17	58,3 ml/rev	87,4	82,4	78,9	2,1	21,9	36,9
B20	63,8 ml/rev	95,7	90,7	87,2	2,2	23,8	40,2
B22	70,3 ml/rev	105,4	100,4	96,9	2,3	26,1	44,1
B25 ¹⁾	79,3 ml/rev	118,9	113,9	110,4	2,5	29,2	49,5
B28 ¹⁾	88,8 ml/rev	133,2	128,2	125,8 ²⁾	2,8	32,7	48,5 ²⁾
B31 ¹⁾	100,0 ml/rev	150,0	145,0	142,6 ²⁾	2,8	36,5	54,4 ²⁾

¹⁾ B25 - B28 - B31 = 2500 R.P.M. max. ²⁾ B28 - B31 = 210 bar max. int. Port connection can be furnished with metric threads.

Ordering Code

**Hydraulic Pumps, Fixed
Series T6DRM, Denison Mobile Vane Pumps**

Model No. T6DRM (Y) - B45 - 1 R 00 - A 1 0 - A 1 ..

Series

Y = Port flanges with metric threads

Cam ring

(Delivery at 0 bar & 1500 r.p.m.)

B14 = 71,4 l/min	B35 = 166,5 l/min
B17 = 87,3 l/min	B38 = 180,4 l/min
B20 = 99,0 l/min	B42 = 204,0 l/min
B24 = 119,3 l/min	B45 = 218,5 l/min
B28 = 134,5 l/min	B50 = 237,0 l/min
B31 = 147,4 l/min	

Type of shaft

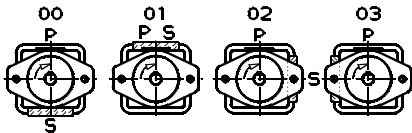
- 1 = keyed (SAE C)
- 2 = keyed (SAE CC)
- 3 = splined (SAE C)
- 5 = keyed (non SAE)

Direct. of rotation (view on shaft end)

- R = clockwise
- L = counter-clockwise

Porting combination

00 = standard



Modification

Seal class

- 1 = S1 (for mineral oil)
- 4 = S4 (for the resistant fluids)
- 5 = S5 (for mineral oil and fire resistant fluids)

Design letter

Porting adaptor

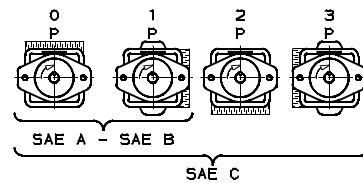
Coupling

- 1 = SAE A
- 2 = SAE B
- 3 = SAE BB
- 4 = SAE C
- 5 = SAE J498b
- 16/32 - 11 teeth

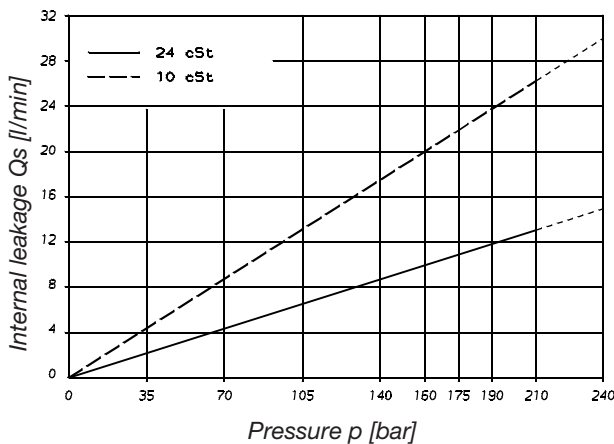
Adaptor

- 0 = None
- A = SAE A
- B = SAE B
- C = SAE C

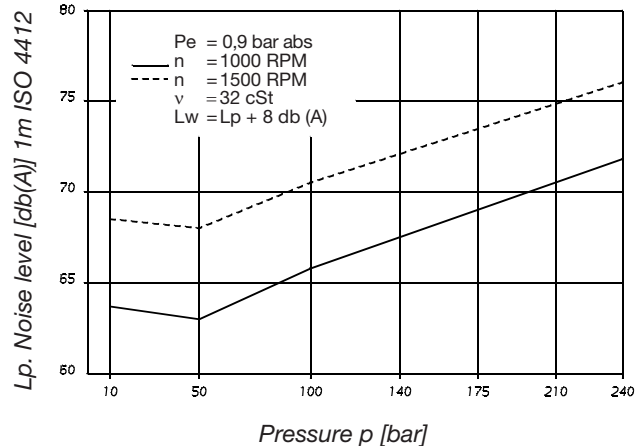
Porting adaptor



INTERNAL LEAKAGE (TYPICAL)

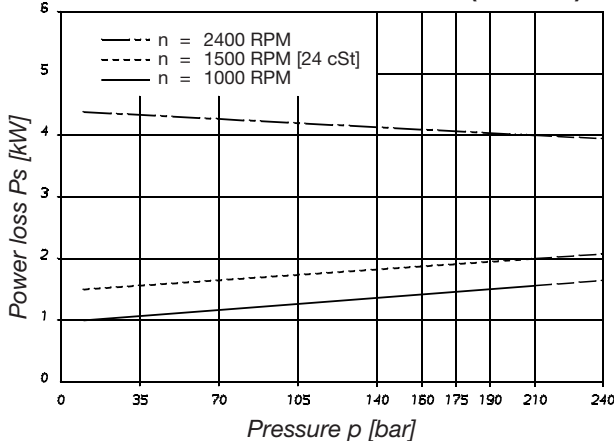


NOISE LEVEL (TYPICAL) - T6DRM - B38

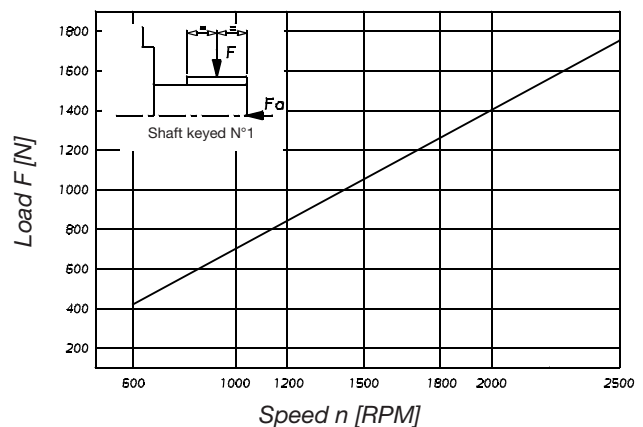


Do not operate the pump more than 5 seconds at any speed or viscosity if internal leakage is more than 50% of theoretical flow.

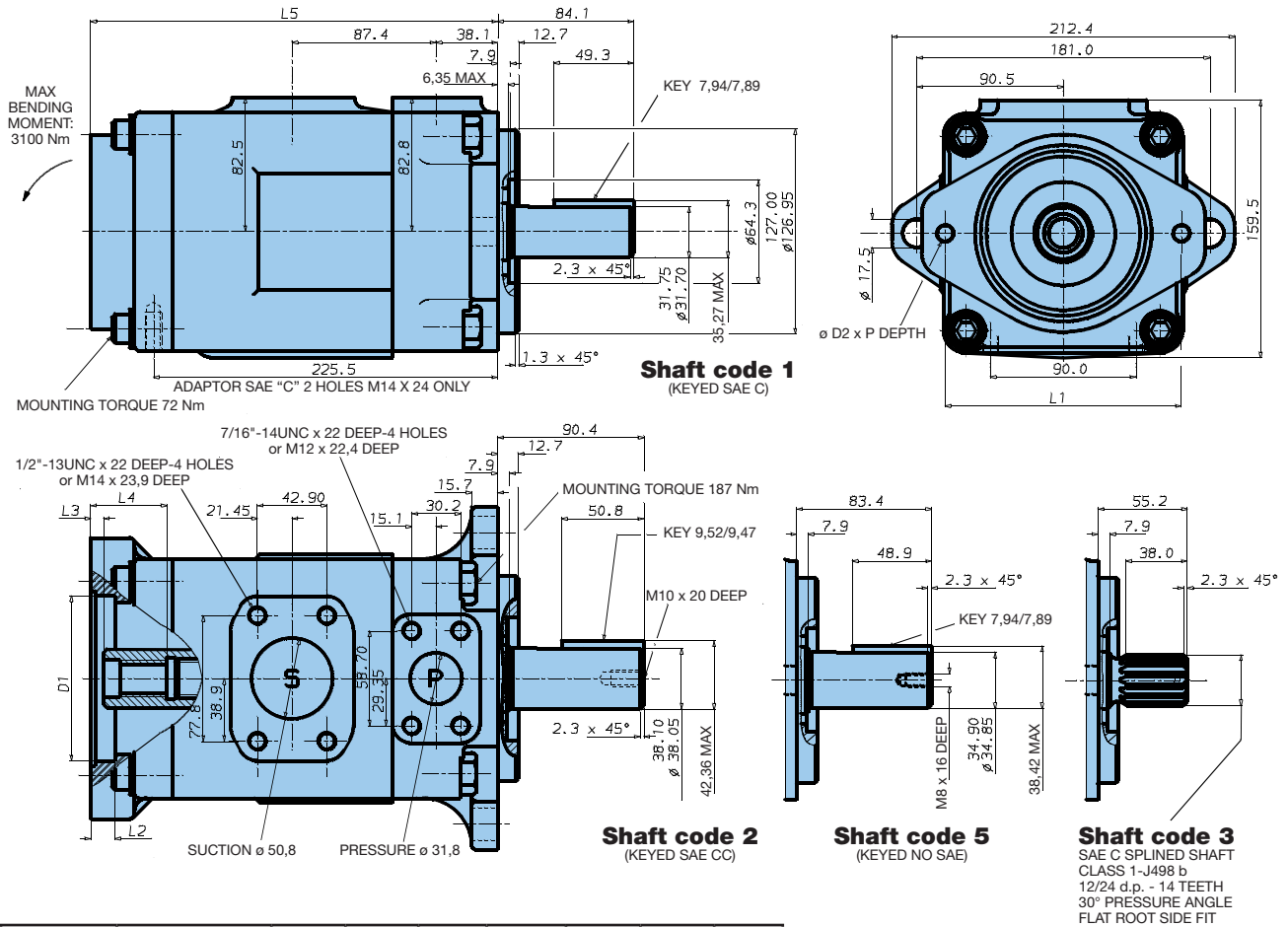
POWER LOSS HYDROMECHANICAL (TYPICAL)



PERMISSIBLE RADIAL LOAD



Maximum permissible axial load Fa = 1200 N



Weight 32,3 kg

Adaptor	D1	D2	P	L1	L2	L3	L4	L5
SAE A	82,65/82,60	M10	24	106,4	11,0	8,0	32,0	237,0
SAE B	101,70/101,65	M12	28	146,0	16,0	8,0	46,0	251,0
SAE C	127,10/127,05	M16	-	181,0	16,0	8,0	56,0	261,0

Adaptor	SAE A			SAE B		SAE C
	SAE A	SAE 11 teeth	SAE B	SAE B	SAE BB	SAE C
Coupling drive	SAE A	SAE 11 teeth	SAE B	SAE B	SAE BB	SAE C
Number of teeth	9	11	13	13	15	14
Pitch	16/32	16/32	16/32	16/32	16/32	12/24
Pressure angle	30°	30°	30°	30°	30°	30°
Major dia. (min)	15,875	19,05	22,225	22,225	25,400	31,750
Minor dia. (min)	12,700	16,017	19,134	19,134	22,268	27,589

Shaft torque limits [ml/rev x bar]			
Shaft	Vi x p max.	Coupling drive	Vi x p max.
1	43240	SAE A	11000
2	66036	SAE B	20600
3	61200	SAE BB	32670
5	55600	SAE C	37390
		SAE - 11 teeth	15850

OPERATING CHARACTERISTICS - TYPICAL [24 cSt]

Series	Volumetric Displacement Vi	Flow Q [l/min] & n = 1500 RPM			Input power P [kW] & n = 1500 RPM		
		p = 0 bar	p = 140 bar	p = 240 bar	p = 7 bar	p = 140 bar	p = 240 bar
B014	47,6 ml/rev	71,4	62,1	55,9	2,3	18,5	30,6
B017	58,2 ml/rev	87,3	78,0	71,8	2,5	22,2	37,0
B020	66,0 ml/rev	99,0	89,7	83,5	2,8	24,9	41,7
B024	79,5 ml/rev	119,3	110,0	103,8	3,0	29,6	49,8
B028	89,7 ml/rev	134,5	125,2	119,0	3,2	33,2	55,9
B031	98,3 ml/rev	147,4	138,1	131,9	3,3	36,2	61,0
B035	111,0 ml/rev	166,5	157,2	151,0	3,5	40,7	68,7
B038	120,3 ml/rev	180,4	171,1	164,9	3,7	43,9	74,3
B042 ¹⁾	136,0 ml/rev	204,0	194,7	188,5	4,0	49,4	83,7
B045 ¹⁾	145,7 ml/rev	218,5	209,2	203,0	4,1	52,8	89,5
B050 ¹⁾	158,0 ml/rev	237,0	227,7	224,0 ²⁾	4,4	57,0	85,0 ²⁾

¹⁾ B42 - B45 - B50 = 2200 R.P.M. max. ²⁾ B50 = 210 bar max. int. Port connection can be furnished with metric threads.

Model No. T6ERM (Y) - 066 - 1 R 00 - A 1 0 - A 1 ..

Series _____
 Y = Port flanges with metric threads

Cam ring _____
 (Delivery at 0 bar & 1500 r.p.m.)
 042 = 198,5 l/min 062 = 295,0 l/min
 045 = 213,6 l/min 066 = 319,9 l/min
 050 = 237,7 l/min 072 = 340,6 l/min
 052 = 247,2 l/min

Type of shaft _____
 1 = keyed (SAE CC)
 3 = splined (SAE C)
 4 = splined (SAE CC)

Direct. of rotation (view on shaft end) _____
 R = clockwise
 L = counter-clockwise

Porting combination _____
 00 = standard

Modification

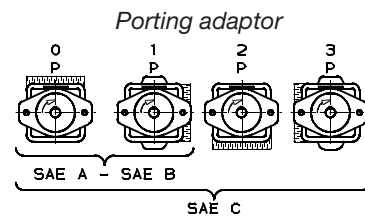
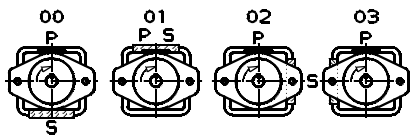
Seal class
 1 = S1 (for mineral oil)
 4 = S4 (for the resistant fluids)
 5 = S5 (for mineral oil and fire resistant fluids)

Design letter

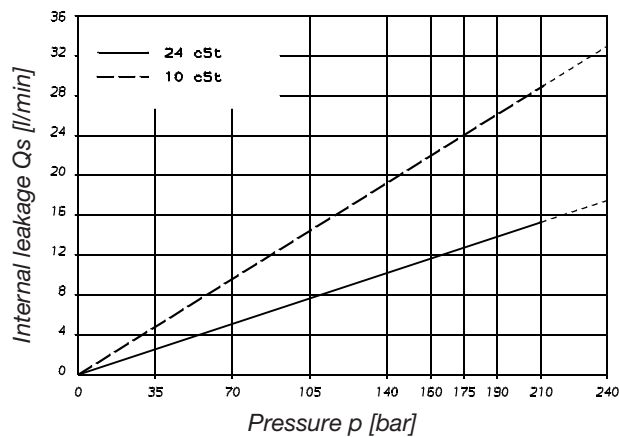
Porting adaptor

Coupling
 1 = SAE A 4 = SAE C
 2 = SAE B 5 = SAE J498b
 3 = SAE BB 16/32 - 11 teeth

Adaptor
 0 = None B = SAE B
 A = SAE A C = SAE C

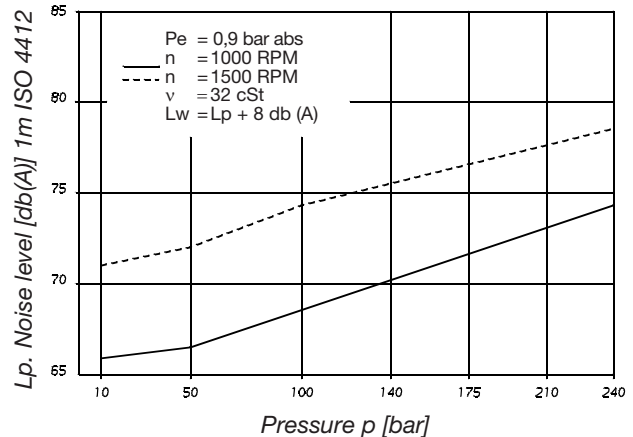


INTERNAL LEAKAGE (TYPICAL)

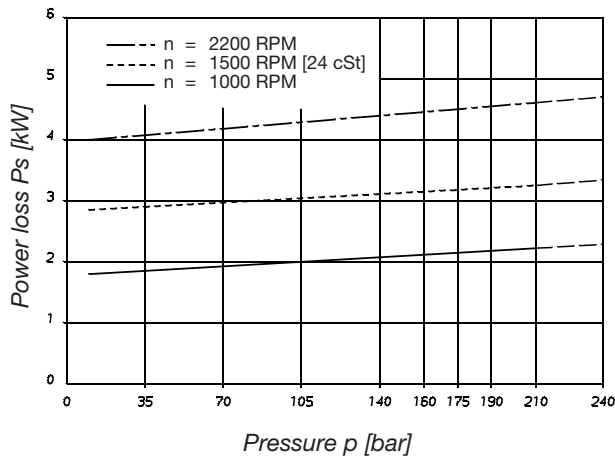


Do not operate the pump more than 5 seconds at any speed or viscosity if internal leakage is more than 50% of theoretical flow.

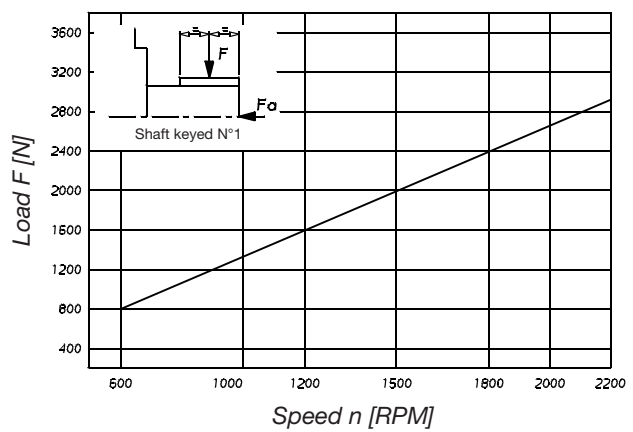
NOISE LEVEL (TYPICAL) - T6ERM - 050



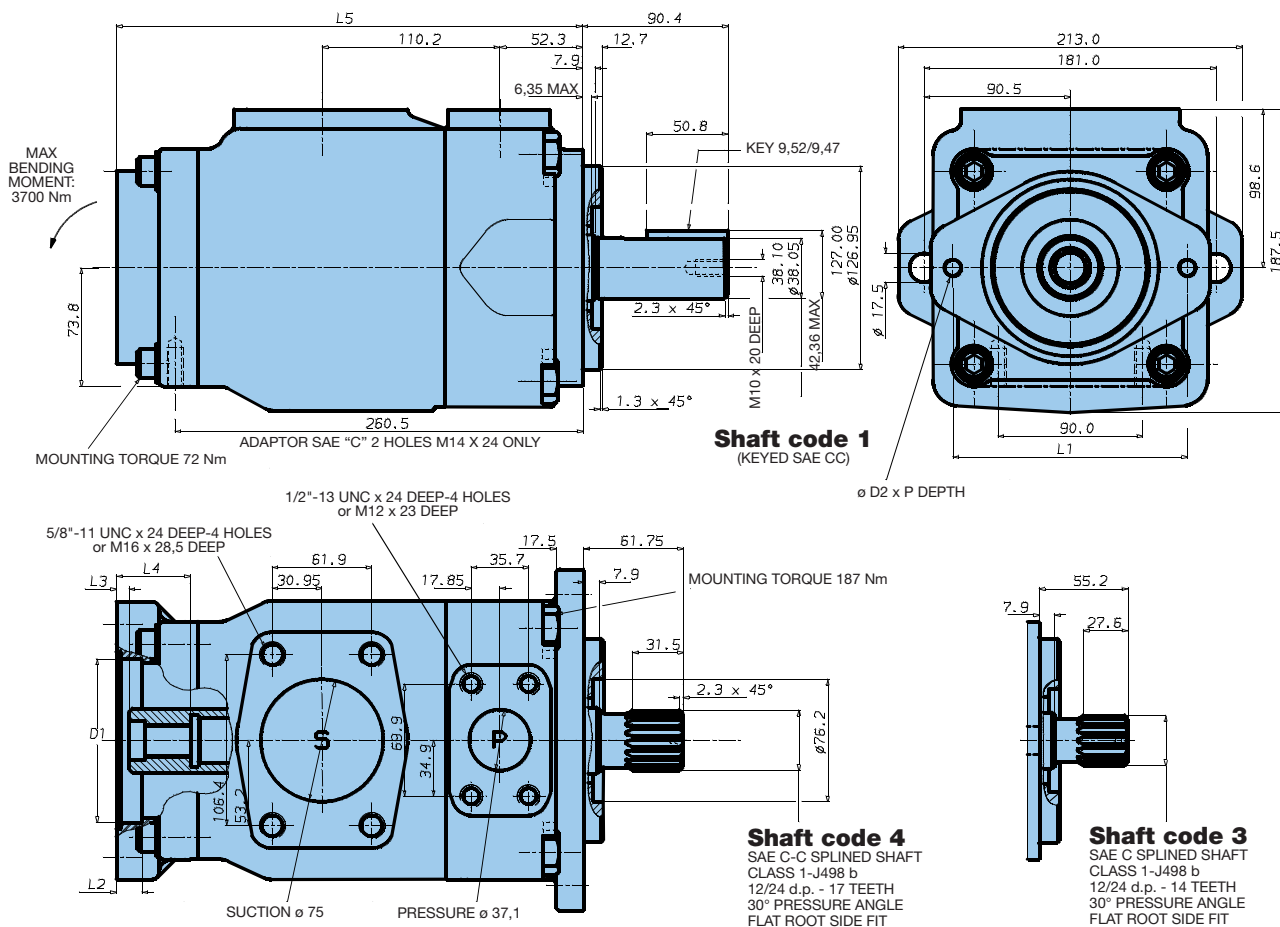
POWER LOSS HYDROMECHANICAL (TYPICAL)



PERMISSIBLE RADIAL LOAD



Maximum permissible axial load Fa = 2000 N



Adaptor	D1	D2	P	L1	L2	L3	L4	L5
SAE A	82,65/82,60	M10	24	106,4	11,0	8,0	32,0	272,0
SAE B	101,70/101,65	M12	28	146,0	16,0	8,0	46,0	286,0
SAE C	127,10/127,05	M16	-	181,0	16,0	8,0	56,0	296,0

Weight 42,5 kg

Adaptor	SAE A			SAE B		SAE C
Coupling drive	SAE A	SAE 11 teeth	SAE B	SAE B	SAE BB	SAE C
Number of teeth	9	11	13	13	15	14
Pitch	16/32	16/32	16/32	16/32	16/32	12/24
Pressure angle	30°	30°	30°	30°	30°	30°
Major dia. (min)	15,875	19,05	22,225	22,225	25,400	31,750
Minor dia. (min)	12,700	16,017	19,134	19,134	22,268	27,589

Shaft torque limits [ml/rev x bar]			
Shaft	Vi x p max.	Coupling drive	Vi x p max.
1	80560	SAE A	11000
3	61200	SAE B	20600
4	120210	SAE BB	32670
		SAE C	66480
		SAE - 11 teeth	15850

OPERATING CHARACTERISTICS - TYPICAL [24 cSt]

Series	Volumetric Displacement Vi	Flow Q [l/min] & n = 1500 RPM			Input power P [kW] & n = 1500 RPM		
		p = 0 bar	p = 140 bar	p = 240 bar	p = 7 bar	p = 140 bar	p = 240 bar
042	132,3 ml/rev	198,5	188,5	181,3	5,2	49,4	82,6
045	142,4 ml/rev	213,6	203,6	196,5	5,4	52,9	88,7
050	158,5 ml/rev	237,7	227,7	220,6	5,7	58,5	98,3
052	164,8 ml/rev	247,2	237,2	230,1	5,8	60,8	102,1
062	196,7 ml/rev	295,0	285,0	277,9	6,4	71,9	121,3
066	213,3 ml/rev	319,9	309,9	302,8	6,7	77,7	131,2
072	227,1 ml/rev	340,6	330,6	323,5	6,9	82,6	139,5

Port connection can be furnished with metric threads.

Ass'y Tandem VV - ...

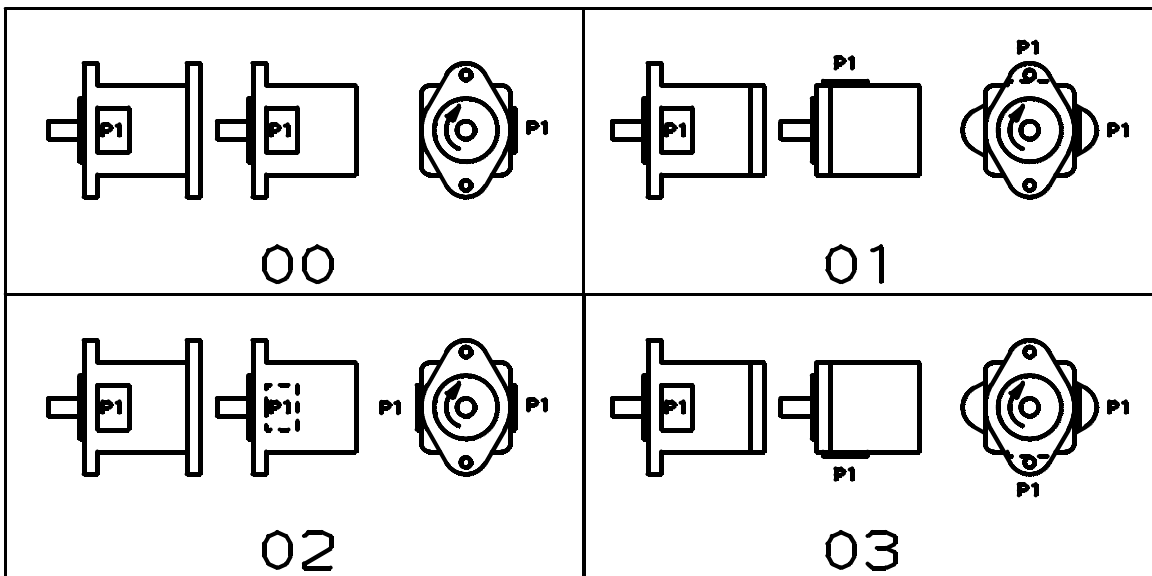
VV = Vane pump + vane pump	Porting combination
VP = Vane pump + Piston pump (PV)	00
VG = Vane pump + Gear pump (GP)	01
VH = Vane pump + Hybrid pump (T6H*)	02
	03

Assembly screws

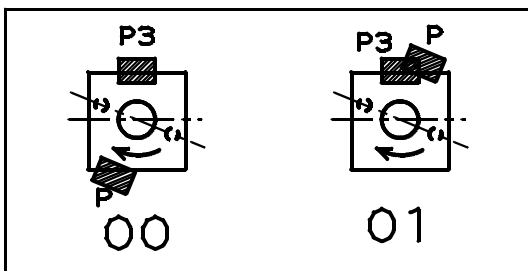
- SAE A rear mounting adaptor : 2 screws M10 x 30 (Mounting torque = 49 Nm.)
- SAE B rear mounting adaptor : 2 screws M12 x 35 (Mounting torque = 88 Nm.)
- SAE C rear mounting adaptor : 2 screws M16 x 40 (Mounting torque = 190 Nm.)

ASSEMBLY PORTING COMBINATION

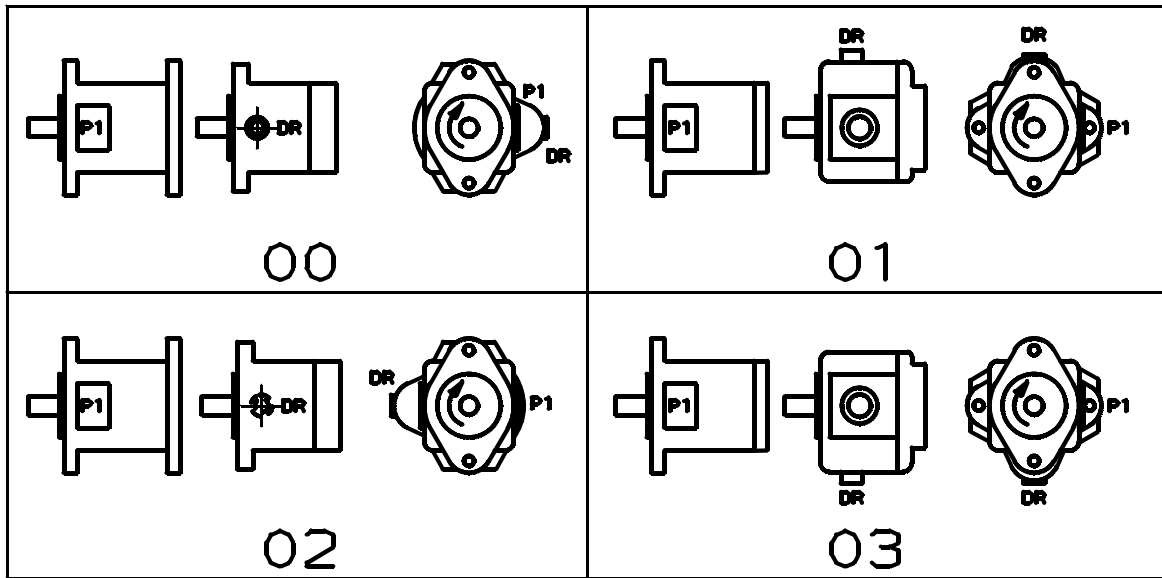
- VV type = Front single vane pump (view from shaft end).



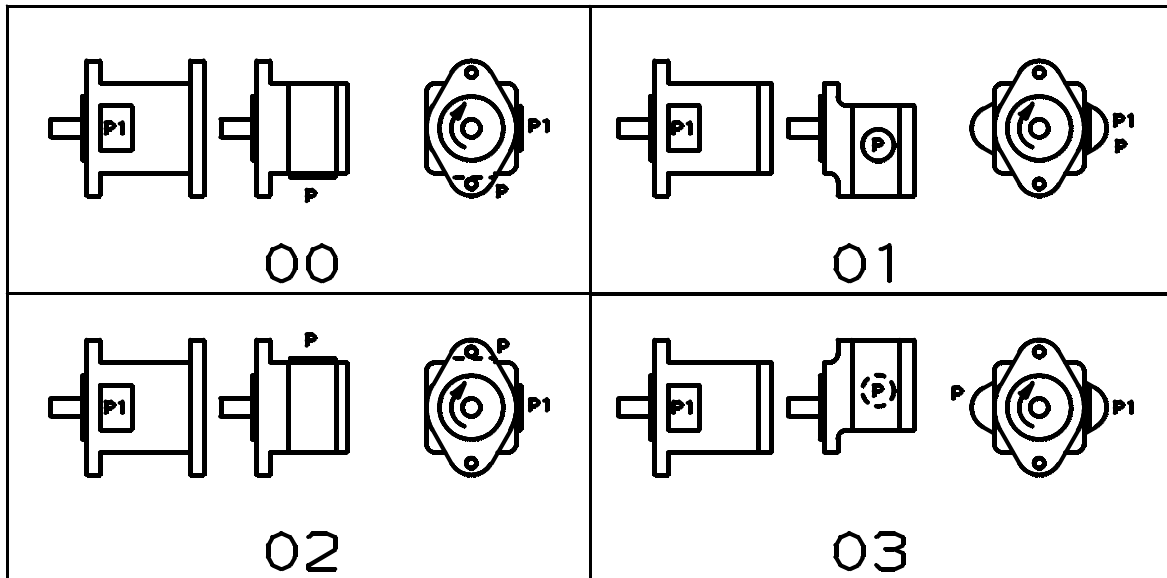
- VV type = For triple vane pump (view from shaft end).



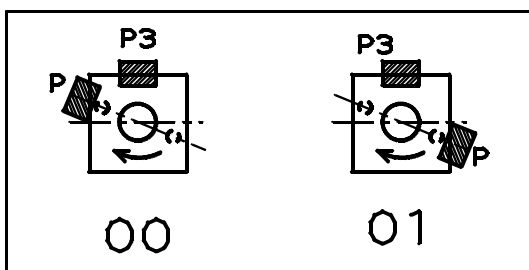
- VP & VH type = For the second pump the reference is the DR drain port on piston pump (view from shaft end).



- VG type = For single vane pump (view from shaft end).



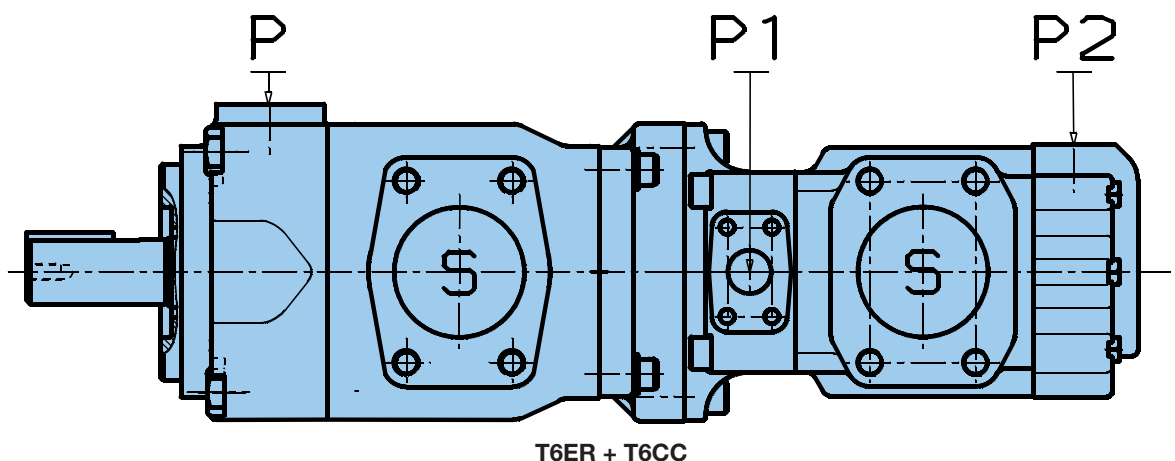
- VG type = For triple vane pump (view from shaft end).



Rear pump		Drive train vane pump			
		T6*R (single pumps)		T6***R (triple pumps)	
Serie	Shaft	Coupling	Adaptor	Coupling	Adaptor
T6C* T6CR* T6CSH	3	2	B	Not available	
T6CC*	3	3	B	Not available	
	5	2	B	Not available	
T6D* T6DR* T6DC* T6DCC*	3	4	C	Not available	
T6E* T6ER* T6EC* T6ED*	3	4	C	Not available	
TB	4	1	A	Available	
	3	5	A	Available	
T7B	3	2	B	Not available	
	4	3	B	Not available	
T6H***	4	3	B	Not available	
PV6	1	2	A	Available with special coupling	
PV10 PV15	1	2	B	Not available	
PV20 PV29	1	4	C	Not available	
GP1D	3	1	A	Available	
GP2D	3	1	A	Available up to 12 cm ³ /rev.	
GP2A	3	1	A	Available	
GP3A	3	2	B	Not available	

For additional information on Piston or Gear pumps, see the specific bulletins.

EXAMPLE OF COMBINATION



- 1. Define front pump
T6ER - *** - 1 R 02 - B21 - A 1
- 2. Define rear pump
T6CC - *** - *** - 5 R 01 - C 100
- 3. Define mounting
Ass'y tandem WV03

**WARNING – USER RESPONSIBILITY**

FAILURE OR IMPROPER SELECTION OR IMPROPER USE OF THE PRODUCTS DESCRIBED HEREIN OR RELATED ITEMS CAN CAUSE DEATH, PERSONAL INJURY AND PROPERTY DAMAGE.

- This document and other information from Parker-Hannifin Corporation, its subsidiaries and authorized distributors provide product or system options for further investigation by users having technical expertise.
- The user, through its own analysis and testing, is solely responsible for making the final selection of the system and components and assuring that all performance, endurance, maintenance, safety and warning requirements of the application are met. The user must analyze all aspects of the application, follow applicable industry standards, and follow the information concerning the product in the current product catalog and in any other materials provided from Parker or its subsidiaries or authorized distributors.
- To the extent that Parker or its subsidiaries or authorized distributors provide component or system options based upon data or specifications provided by the user, the user is responsible for determining that such data and specifications are suitable and sufficient for all applications and reasonably foreseeable uses of the components or systems.

Offer of Sale

Please contact your Parker representation for a detailed "Offer of Sale".

Parker Worldwide

Europe, Middle East, Africa

AE – United Arab Emirates,
Dubai

Tel: +971 4 8127100
parker.me@parker.com

AT – Austria, Wiener Neustadt
Tel: +43 (0)2622 23501-0
parker.austria@parker.com

AT – Eastern Europe, Wiener
Neustadt
Tel: +43 (0)2622 23501 900
parker.easteurope@parker.com

AZ – Azerbaijan, Baku
Tel: +994 50 22 33 458
parker.azerbaijan@parker.com

BE/LU – Belgium, Nivelles
Tel: +32 (0)67 280 900
parker.belgium@parker.com

BG – Bulgaria, Sofia
Tel: +359 2 980 1344
parker.bulgaria@parker.com

BY – Belarus, Minsk
Tel: +48 (0)22 573 24 00
parker.poland@parker.com

CH – Switzerland, Etoy
Tel: +41 (0)21 821 87 00
parker.switzerland@parker.com

CZ – Czech Republic, Klecany
Tel: +420 284 083 111
parker.czechrepublic@parker.com

DE – Germany, Kaarst
Tel: +49 (0)2131 4016 0
parker.germany@parker.com

DK – Denmark, Ballerup
Tel: +45 43 56 04 00
parker.denmark@parker.com

ES – Spain, Madrid
Tel: +34 902 330 001
parker.spain@parker.com

FI – Finland, Vantaa
Tel: +358 (0)20 753 2500
parker.finland@parker.com

FR – France, Contamine s/Arve
Tel: +33 (0)4 50 25 80 25
parker.france@parker.com

GR – Greece, Athens
Tel: +30 210 933 6450
parker.greece@parker.com

HU – Hungary, Budaoers
Tel: +36 23 885 470
parker.hungary@parker.com

IE – Ireland, Dublin
Tel: +353 (0)1 466 6370
parker.ireland@parker.com

IT – Italy, Corsico (MI)
Tel: +39 02 45 19 21
parker.italy@parker.com

KZ – Kazakhstan, Almaty
Tel: +7 7273 561 000
parker.easteurope@parker.com

NL – The Netherlands, Oldenzaal
Tel: +31 (0)541 585 000
parker.nl@parker.com

NO – Norway, Asker
Tel: +47 66 75 34 00
parker.norway@parker.com

PL – Poland, Warsaw
Tel: +48 (0)22 573 24 00
parker.poland@parker.com

PT – Portugal, Leca da Palmeira
Tel: +351 22 999 7360
parker.portugal@parker.com

RO – Romania, Bucharest
Tel: +40 21 252 1382
parker.romania@parker.com

RU – Russia, Moscow
Tel: +7 495 645-2156
parker.russia@parker.com

SE – Sweden, Spånga
Tel: +46 (0)8 59 79 50 00
parker.sweden@parker.com

SK – Slovakia, Banská Bystrica
Tel: +421 484 162 252
parker.slovakia@parker.com

SL – Slovenia, Novo Mesto
Tel: +386 7 337 6650
parker.slovenia@parker.com

TR – Turkey, Istanbul
Tel: +90 216 4997081
parker.turkey@parker.com

UA – Ukraine, Kiev
Tel: +48 (0)22 573 24 00
parker.poland@parker.com

UK – United Kingdom, Warwick
Tel: +44 (0)1926 317 878
parker.uk@parker.com

ZA – South Africa, Kempton Park
Tel: +27 (0)11 961 0700
parker.southafrica@parker.com

European Product Information Centre
Free phone: 00 800 27 27 5374

(from AT, BE, CH, CZ, DE, DK, EE, ES, FI,
FR, IE, IL, IS, IT, LU, MT, NL, NO, PL, PT,
RU, SE, SK, UK, ZA)

North America

CA – Canada, Milton, Ontario
Tel: +1 905 693 3000

US – USA, Cleveland
(industrial)
Tel: +1 216 896 3000

US – USA, Elk Grove Village
(mobile)
Tel: +1 847 258 6200

Asia Pacific

AU – Australia, Castle Hill
Tel: +61 (0)2-9634 7777

CN – China, Shanghai
Tel: +86 21 2899 5000

HK – Hong Kong
Tel: +852 2428 8008

ID – Indonesia, Tangerang
Tel: +62 21 7588 1906

IN – India, Mumbai
Tel: +91 22 6513 7081-85

JP – Japan, Fujisawa
Tel: +81 (0)4 6635 3050

KR – South Korea, Seoul
Tel: +82 2 559 0400

MY – Malaysia, Shah Alam
Tel: +60 3 7849 0800

NZ – New Zealand, Mt Wellington
Tel: +64 9 574 1744

SG – Singapore
Tel: +65 6887 6300

TH – Thailand, Bangkok
Tel: +662 186 7000

TW – Taiwan, New Taipei City
Tel: +886 2 2298 8987

VN – Vietnam, Ho Chi Minh City
Tel: +84 8 3999 1600

South America

AR – Argentina, Buenos Aires
Tel: +54 3327 44 4129

BR – Brazil, Cachoeirinha RS
Tel: +55 51 3470 9144

CL – Chile, Santiago
Tel: +56 2 623 1216

MX – Mexico, Toluca
Tel: +52 72 2275 4200

Ed. 2015-01-12



EMEA Product Information Centre

Free phone: 00 800 27 27 5374

(from AT, BE, CH, CZ, DE, DK, EE, ES, FI, FR,
IE, IL, IS, IT, LU, MT, NL, NO, PL, PT, RU, SE,
SK, UK, ZA)

US Product Information Centre

Toll-free number: 1-800-27 27 537

www.parker.com