

MAKING MODERN LIVING POSSIBLE



Technical Information

Series 45

H Frame

Contents

Frame H

Design 4

Specifications 5

Performance H57B..... 6

Performance H75D 7

Order code..... 8

Controls..... 10

 Pressure compensated control (PC)..... 10

 Load sensing control (LS)..... 10

 Load sensing control with internal bleed orifice (LB)..... 11

Input shafts 12

Auxiliary mounting pads..... 15

 SAE-A auxiliary mounting pad 15

 SAE-B auxiliary mounting pad 15

Displacement limiters..... 16

 SAE-C auxiliary mounting pad 16

Installation drawings 17

 Adjustable displacement limiter 17

 SAE-C mounting flange, axial ported endcap..... 18

 SAE-C mounting flange, radial ported endcap..... 20

 SAE-B mounting flange, axial ported endcap 22

 SAE-B mounting flange, radial ported endcap..... 24

General Information

This information was removed from:
Series 45 Axial Piston Open Circuit Pumps Technical Information Manual **520L0519**
Rev E November 2006

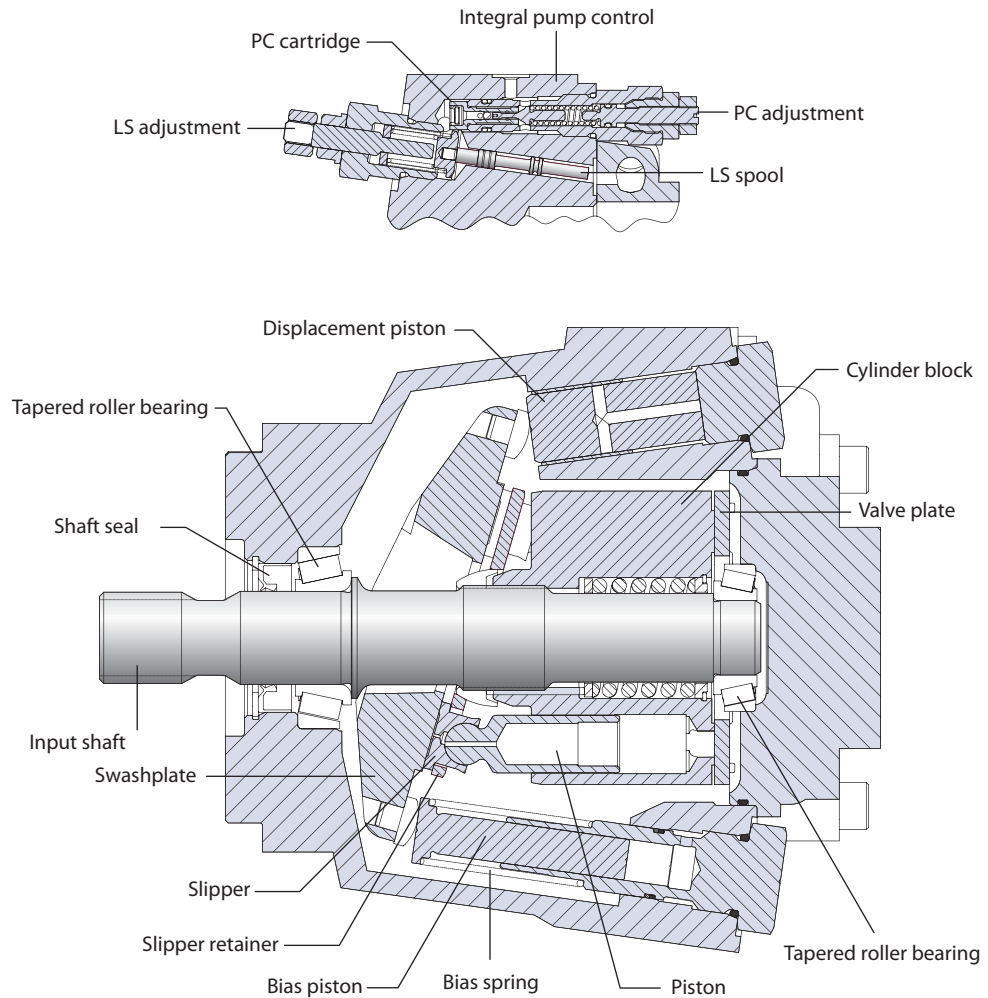
For more information regarding the Series 45 product line refer to the current version of **520L0519**.

Frame H

Design Series 45 Frame H pumps have a dual servo piston design with a cradle-type swashplate set in polymer-coated journal bearings. The bias piston increases swashplate angle. The displacement piston decreases swashplate angle. At equal pressure, the larger diameter displacement piston overpowers the bias piston. Nine reciprocating pistons displace fluid from the pump inlet to the pump outlet as the cylinder block rotates on the pump input shaft. The block spring holds the piston slippers to the swashplate via the slipper retainer. The cylinder block rides on a bi-metal valve plate optimized for high volumetric efficiency and low noise. Tapered roller bearings support the input shaft and a viton lip-seal protects against shaft leaks.

An integral, adjustable, two-stage control senses system pressure (PC and LS controls) and load pressure (LS only). The pump control ports system pressure to the displacement piston to control pump output flow.

Frame H cross section



P101 984E

Specifications

For general operating parameters, including fluid viscosity, temperature, and inlet and case pressures, [see page 14](#). For system design parameters, including installation, filtration, reservoir, and line velocities, [see page 16](#).

Features and options

Feature		Unit	Model	
			H57B	H75D
Maximum Displacement		cm ³ [in ³]	57 [3.48]	75 [4.58]
Flow at rated speed (theoretical)		l/min [US gal/min]	148.2 [39.2]	180 [47.5]
Input torque at maximum displacement (theoretical)		N·m/bar [lbf·in/1000 psi]	0.907 [554]	1.194 [729]
Mass moment of inertia of internal rotating components		kg·m ² [slug·ft ²]	0.00430 [0.00318]	0.00420 [0.00310]
Weight	Axial ports	kg [lb]	24 [53]	
	Radial ports		27 [60]	
Rotation		Clockwise, Counterclockwise		
Mounting		SAE-B, SAE-C		
Auxiliary mounting (See page 51)		SAE-A, SAE-B, SAE-BB, SAE-C		
System ports (type)		SAE O-ring boss, 4-bolt split flange		
System ports (location)		Axial, Radial		
Control types (See page 46)		PC, LS, LS with internal bleed		
Shafts (See page 48)	Splined	13 tooth, 14 tooth, 15 tooth		
	Tapered	Ø 31.75 mm [1.25 in], 1:8 taper		
	Straight	Ø 31.75 mm [1.25 in]		
Displacement limiters (See page 52)		Optional, adjustable		

For definitions of pressure and speed ratings, [see page 15](#). For more information on external shaft loads, [see page 17](#); mounting flange loads, [see page 18](#).

Ratings

Rating		Units	Model	
			H57B	H75D
Input speed ¹	minimum	min ⁻¹ (rpm)	500	500
	continuous		2600	2400
	maximum		3200	2800
Working pressure	continuous	bar [psi]	310 [4495]	210 [3045]
	maximum		400 [5800]	300 [4350]
External shaft loads	External moment (M _e)	N·m [lbf·in]	226 [2000]	226 [2000]
	Thrust in (T _{in}), out (T _{out})	N [lbf]	2200 [495]	2200 [495]
Bearing life	at 140 bar [2030 psi]	B ₁₀ hours	29 712	10 755
	at 210 bar [3045 psi]		6834	2474
	at 260 bar [3770 psi]		3151	—
	at 310 bar [4495 psi]		1666	—
Mounting flange load moments	Vibratory (continuous)	N·m [lbf·in]	SAE-C: 1500 [14 000], SAE-B: 735 [6500]	
	Shock (max)		SAE-C: 5650 [50 000], SAE-B: 2600 [23 000]	

1. Input speeds are valid at 1 bar absolute [0 in Hg vac] inlet pressure. See [Inlet pressure vs. speed](#) charts.

Sound levels²

For more information on noise levels, [see page 20](#).

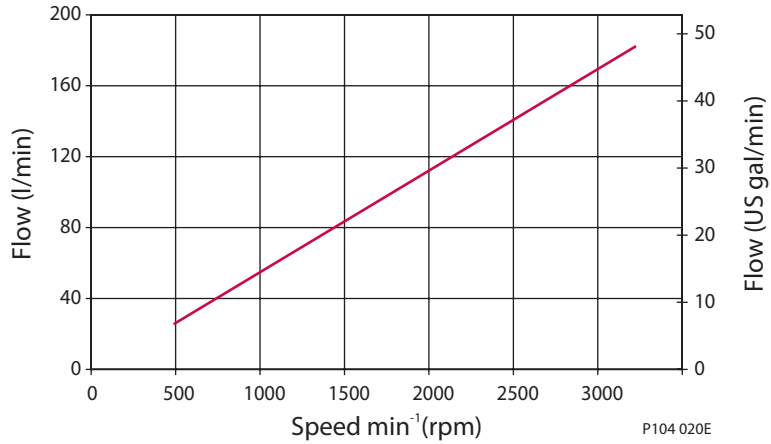
dB(A)	210 bar [3045 psi]		260 bar [3770 psi]		310 bar [4495 psi]		
	Model	1800 min ⁻¹ (rpm)	Rated speed	1800 min ⁻¹ (rpm)	Rated speed	1800 min ⁻¹ (rpm)	Rated speed
H57B		69	72	70	73	71	74
H75D		71	74	—	—	—	—

2. Sound data was collected in a *semi-anechoic* chamber. Values have been adjusted (-3 dB) to reflect *anechoic* levels.

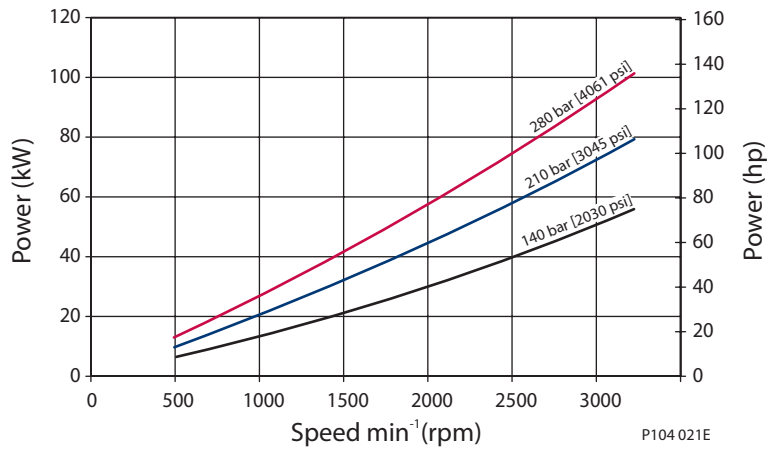
Performance
H57B

Flow and power data valid at 49°C [120°F] and viscosity of 17.8 mm²/sec [88 SUS].

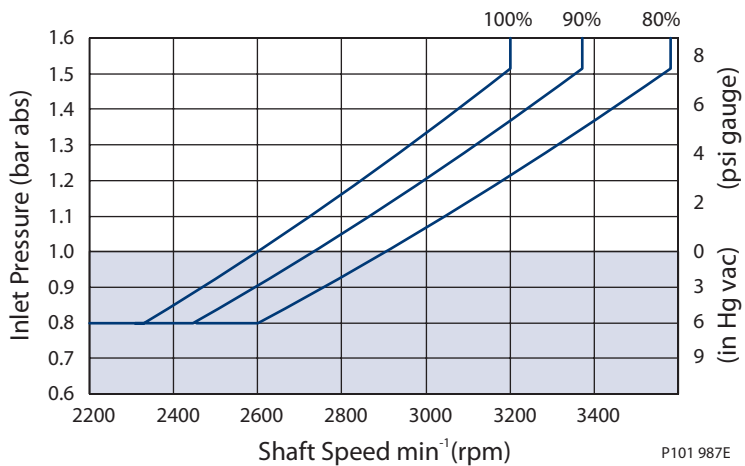
Flow vs. speed



Input power vs. speed



Inlet pressure vs. speed

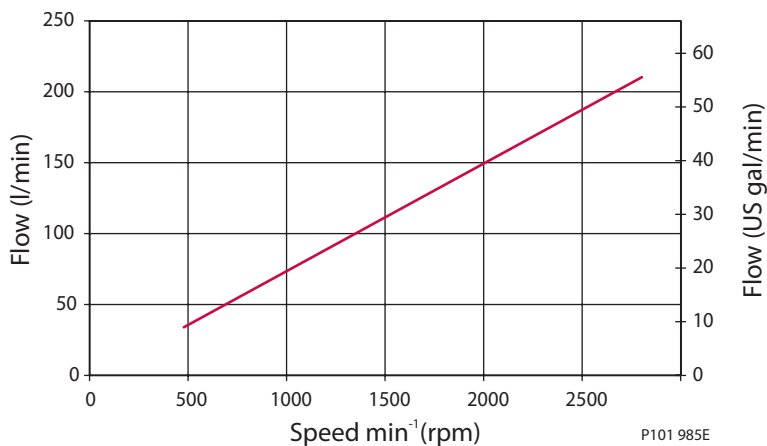


The chart on the right shows allowable inlet pressure and speed at various displacements. Greater speeds and lower inlet pressures are possible at reduced displacement. Operating outside of acceptable limits reduces pump life.

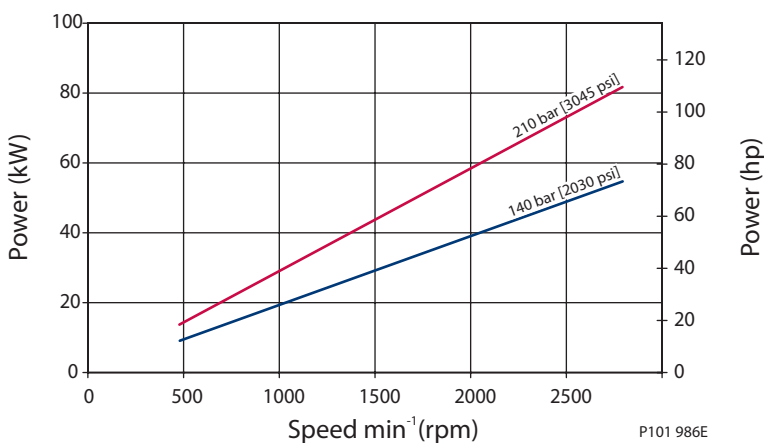
Performance
H75D

Flow and power data valid at 49°C [120°F] and viscosity of 17.8 mm²/sec [88 SUS].

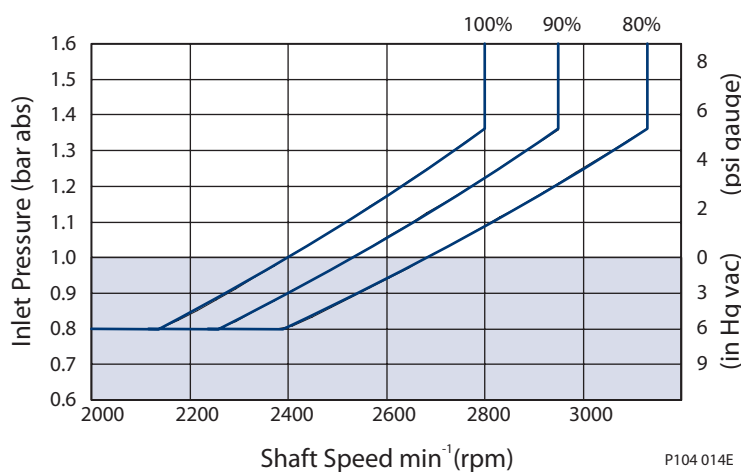
Flow vs. speed



Input power vs. speed



Inlet pressure vs. speed



The chart on the right shows allowable inlet pressure and speed at various displacements. Greater speeds and lower inlet pressures are possible at reduced displacement. Operating outside of acceptable limits reduces pump life.

Order Code

R S P C D E F G H

J
1 2 3

K
1 2 3

 L M N

R Product

HR	H Frame, variable displacement open circuit pump
-----------	--

S Rotation

L	Left hand (counterclockwise)
R	Right hand (clockwise)

P Displacement and pressure rating

057B	057 cm ³ /rev [3.48 in ³ /rev], 310 bar [4495 psi] continuous working pressure
075D	075 cm ³ /rev [4.58 in ³ /rev], 210 bar [3045 psi] continuous working pressure

C Control type

PC	Pressure compensated control
LS	Load sensing / pressure compensating control
LB	Load sensing / pressure compensating control with internal bleed orifice

D PC setting (2 digit code, 10 bar increments)

Example	10 = 100 bar
10-31	100 to 310 bar [1450 to 4495 psi] (057B)
10-21	100 to 210 bar [1450 to 3045 psi] (075D)

E Load sensing setting (2 digit code, 1 bar increments)

Example	20 = 20 bar
10-35	10 to 35 bar [145 to 508 psi]
NN	Not applicable (use with PC controls)

F Not used

NN	Not applicable
-----------	----------------

G Pilot orifice

N	None (standard for PC control)
A	Ø 0.8 mm [0.031 in] (standard with LS and LB controls)

H Gain orifice

3	Standard orifice
----------	------------------

**Order Code
(continued)**

R
S
P
C
D
E
F
G
H

J	1	2	3
K	1	2	3

L
M
N

J1 Input shaft

SAE-C mounting flange pumps (housing code K2=1)	
S1	14 tooth, 12/24 pitch (ANSI B92.1 1970 - Class 5)
T0	Ø 31.75 mm [1.25 in], 1:8 taper
K4	Ø 31.75 mm [1.25 in], straight keyed
C2	13 tooth, 16/32 pitch (ANSI B92.1 1970 - Class 5)
C3	15 tooth, 16/32 pitch (ANSI B92.1 1970 - Class 5)
SAE-B mounting flange pumps (housing code K2=6)	
L4	Ø 31.75 mm [1.25 in], straight keyed
D2	13 tooth, 16/32 pitch (ANSI B92.1 1970 - Class 5)
D3	15 tooth, 16/32 pitch (ANSI B92.1 1970 - Class 5)

J2 Auxiliary mounting flange

N	None
A	SAE-A, 9-tooth coupling
T	SAE-A, 11-tooth coupling
B	SAE-B, 13-tooth coupling
V	SAE-BB, 15-tooth coupling
C	SAE-C, 14-tooth coupling

J3 System port size and location

Code	Location	Port type	Inlet size	Outlet size
2	Radial	4-bolt split-flange	2 in.	1 in.
4	Axial	4-bolt split-flange	2 in.	1 in.
3	Axial	SAE O-ring boss	1 7/8 in.	1 5/16 in.

K1 Shaft seal

A	Single lip seal, viton
----------	------------------------

K2 Mounting flange and housing port style

1	SAE-C 4-bolt, SAE O-ring boss housing ports
6	SAE-B 2-bolt, SAE O-ring boss housing ports

K3 Not used

N	Not applicable
----------	----------------

L Displacement limiter

NNN	None
AAA	Adjustable, factory set at max angle
Axx	Adjustable, factory set at xx% of maximum displacement (5% increments), Example: A90=90%

M Special hardware

NNN	None
------------	------

N Special features

NNN	None
------------	------

Controls

Pressure compensated control (PC)

Specifications

PC control setting range

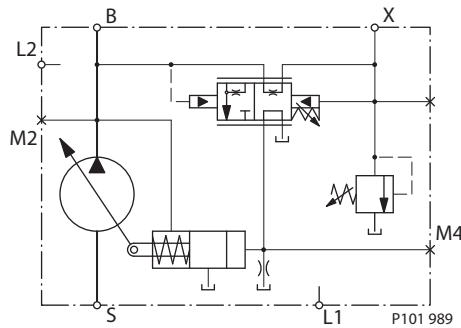
Model	bar	psi
H57B	100–310	1450–4495
H75D	100–210	1450–3045

Response/recovery times*

(ms)	Response	Recovery
H57B	30	125
H75D	30	130

* For definitions, see page 11.

Schematic diagram PC schematic



Legend

- B = Outlet
- S = Inlet
- L1, L2 = Case drain
- M2 = System pressure gauge port
- M4 = Servo pressure gauge port
- X = Not used

Load sensing control (LS)

Specifications

PC setting range

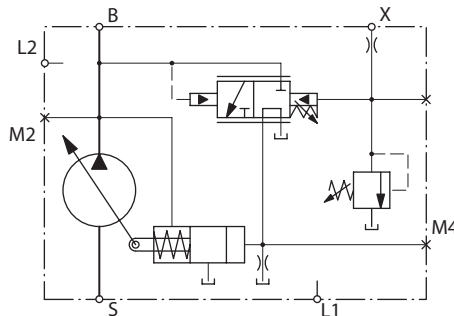
Model	bar	psi
H57B	100–310	1450–4495
H75D	100–210	1450–3045

Response/recovery times*

(ms)	Response	Recovery
H57B	30	90
H75D	30	95

* For definitions, see page 13.

Schematic diagram LS Schematic



LS setting range

Model	bar	psi
All	10–35	145–508

Legend

- B = Outlet
- S = Inlet
- L1, L2 = Case drain
- M2 = System pressure gauge port
- M4 = Servo pressure gauge port
- X = LS signal port

**Controls
(continued)**

Specifications **Load sensing control with internal bleed orifice (LB)**

PC setting range

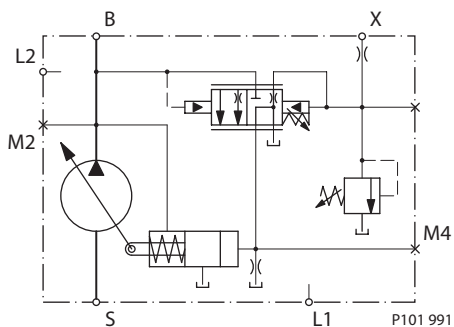
Model	bar	psi
H57B	100–310	1450–4495
H75D	100–210	1450–3045

*Response/recovery times**

(ms)	Response	Recovery
H57B	30	90
H75D	30	95

* For definitions, see page 13.

Schematic diagram **LS Schematic**



LS setting range

Model	bar	psi
All	10–35	145–508

Legend

- B = Outlet
- S = Inlet
- L1, L2 = Case drain
- M2 = System pressure gauge port
- M4 = Servo pressure gauge port
- X = LS signal port

Input Shafts
Shaft data

Code	Description	Availability		Torque rating ¹		Drawing
		SAE-C flange	SAE-B flange	Continuous N•m [lbf•in]	Maximum N•m [lbf•in]	
S1	14 tooth spline 12/24 pitch (ANSI B92.1 1970 - Class 5)	●	—	283 [2500]	734 [6495]	
T0	Ø 31.75 mm [1.25 in] 1:8 taper (SAE J501)	●	—	N/A	734 [6495]	
K4	Ø 31.75 mm [1.25 in] Straight keyed	●	—	N/A	655 [5797]	

1. See [Input shaft torque ratings](#), page 19 for definitions of continuous and maximum torque.

input Shafts
(continued)

Code	Description	Availability		Torque rating ¹		Drawing
		SAE-C flange	SAE-B flange	Continuous N·m [lbf·in]	Maximum N·m [lbf·in]	
C2	13-tooth 16/32 pitch (ANSI B92.1 1970 - Class 5)	●	—	102 [900]	282 [2495]	
C3	15-tooth 16/32 pitch (ANSI B92.1 1970 - Class 5)	●	—	192 [1700]	362 [3200]	
L4	Ø 31.75 mm [1.25 in] Straight keyed	—	●	N/A	655 [5800]	

1. See [Input shaft torque ratings](#), page 19 for definitions of continuous and maximum torque.

input Shafts
(continued)

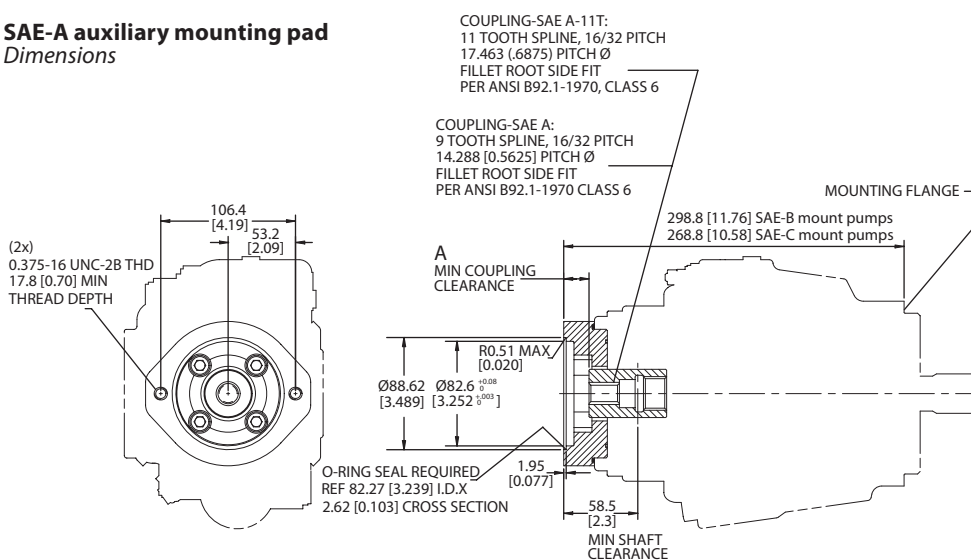
Code	Description	Availability		Torque rating ¹		Drawing
		SAE-C flange	SAE-B flange	Continuous N·m [lbf·in]	Maximum N·m [lbf·in]	
D2	13-tooth 16/32 pitch (ANSI B92.1 1970 - Class 5)	—	●	102 [900]	282 [2495]	
D3	15-tooth 16/32 pitch (ANSI B92.1 1970 - Class 5)	—	●	192 [1700]	362 [3200]	

1. See [input shaft torque ratings](#), page 19 for definitions of continuous and maximum torque.

Auxiliary Mounting Pads

SAE-A auxiliary mounting pad
Dimensions

See page 19 for mating pump pilot and spline dimensions.

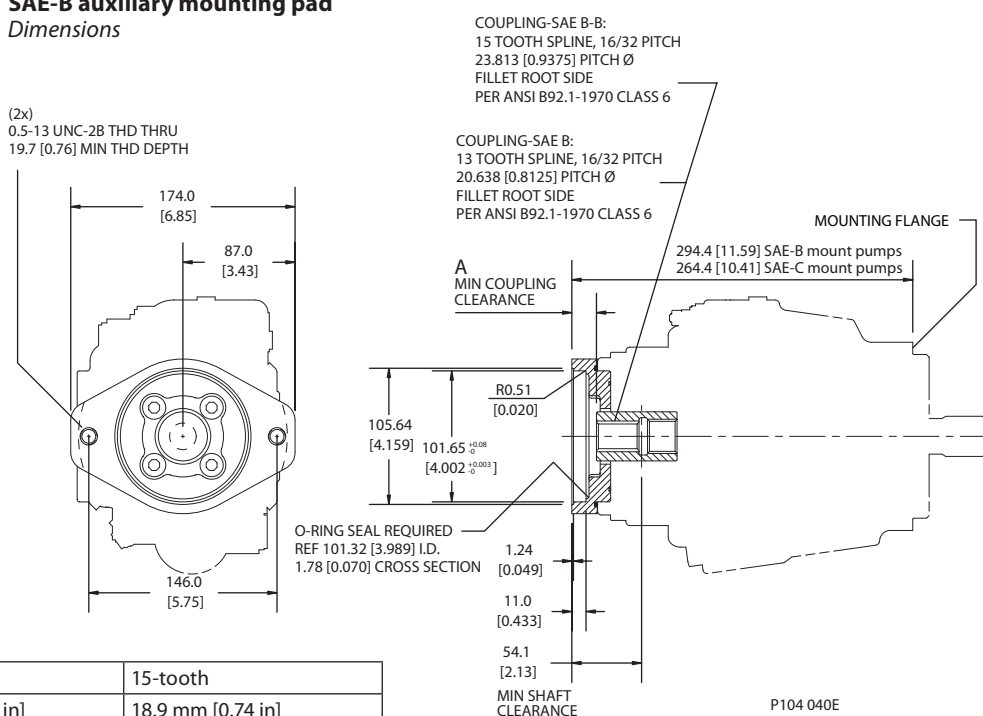


Specifications

Coupling	9-tooth	11-tooth
Spline minimum engagement	13.5 mm [0.53 in]	15 mm [0.59 in]
Continuous torque	51 N·m [450 lbf·in]	90 N·m [800 lbf·in]
Maximum torque	107 N·m [950 lbf·in]	147 N·m [1300 lbf·in]
Dimension A	21.1 mm [0.83 in]	16.1 mm [0.63 in]

SAE-B auxiliary mounting pad
Dimensions

See page 19 for mating pump pilot and spline dimensions.



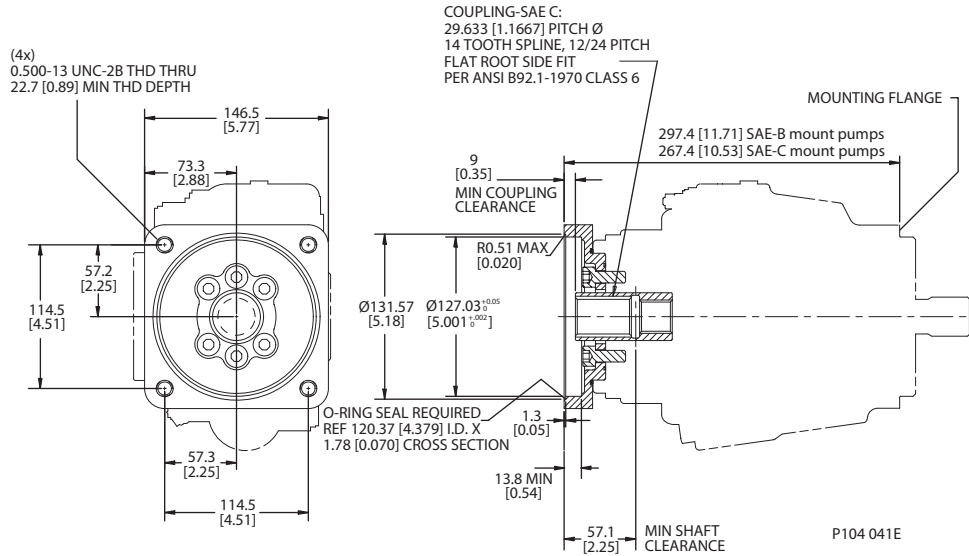
Specifications

Coupling	13-tooth	15-tooth
Spline minimum engagement	14.2 mm [0.56 in]	18.9 mm [0.74 in]
Continuous torque	124 N·m [1100 lbf·in]	235 N·m [2080 lbf·in]
Maximum torque	249 N·m [2200 lbf·in]	339 N·m [3000 lbf·in]
Dimension A	20.7 mm [0.81 in]	12.7 mm [0.5 in]

Auxiliary Mounting Pads (continued)

See page 19 for mating pump pilot and spline dimensions.

SAE-C auxiliary mounting pad
Dimensions



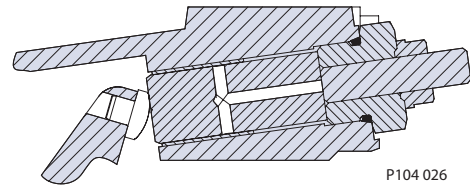
Specifications

Coupling	14-tooth
Spline minimum engagement	18.3 mm [0.72 in]
Continuous torque	235 N·m [2080 lbf·in]
Maximum torque	339 N·m [3000 lbf·in]

Displacement Limiters

H Frame open circuit pumps are available with an optional adjustable displacement limiter. This adjustable stop limits the pump's maximum displacement.

Displacement limiter cross-section

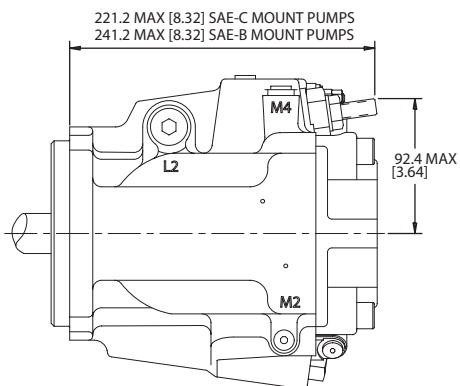


Setting range

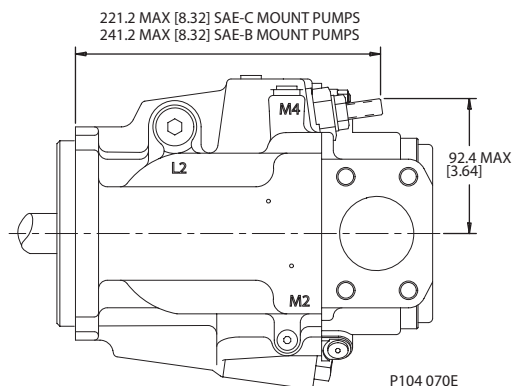
H57B	43 to 57 cm ³ [2.61 to 3.48 in ³]
H75D	56 to 75 cm ³ [3.43 to 4.58 in ³]

Installation Drawings

Adjustable displacement limiter



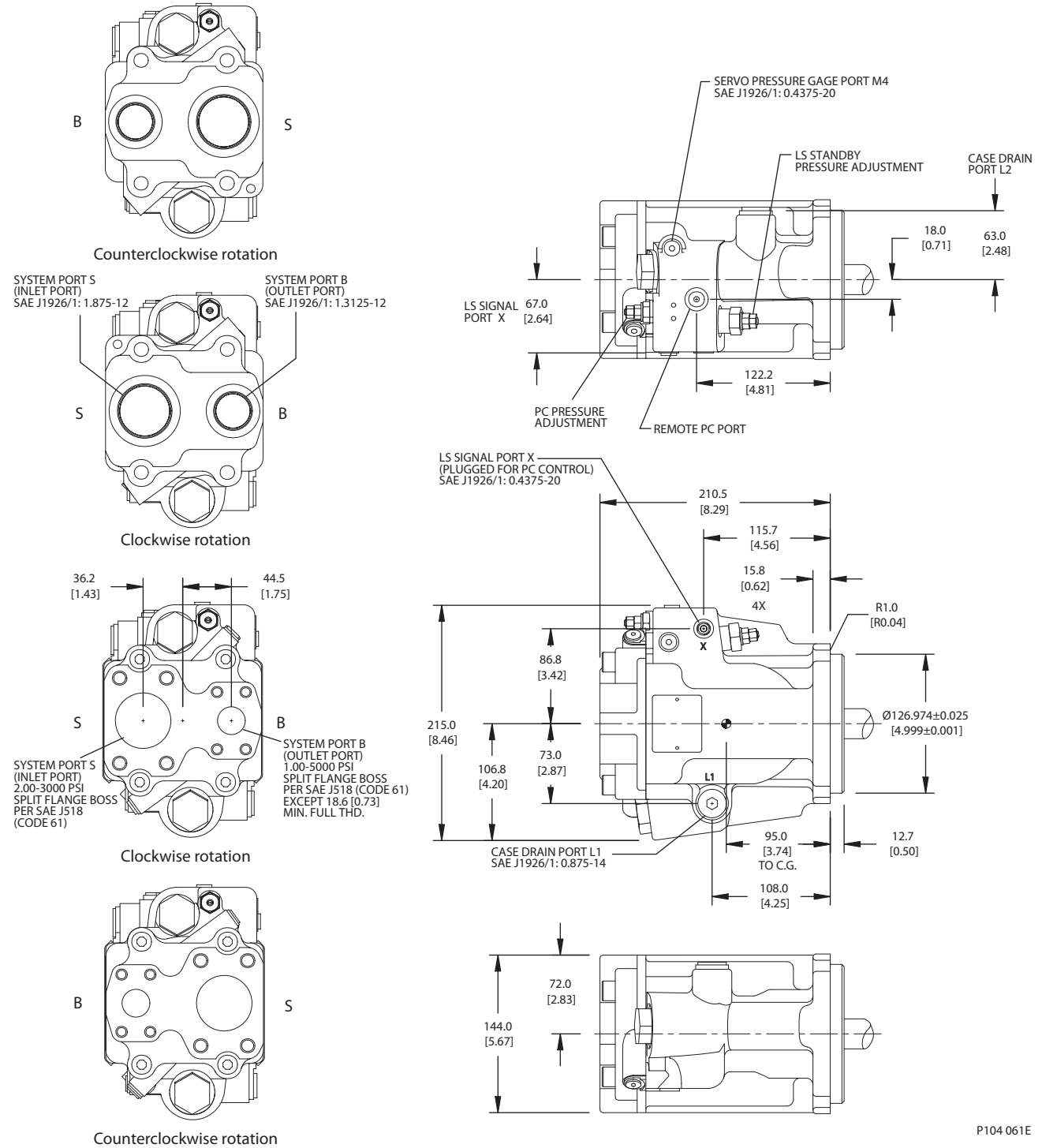
Axial ported units



Radial ported units

Installation Drawings
(continued)

SAE-C mounting flange, axial ported endcap

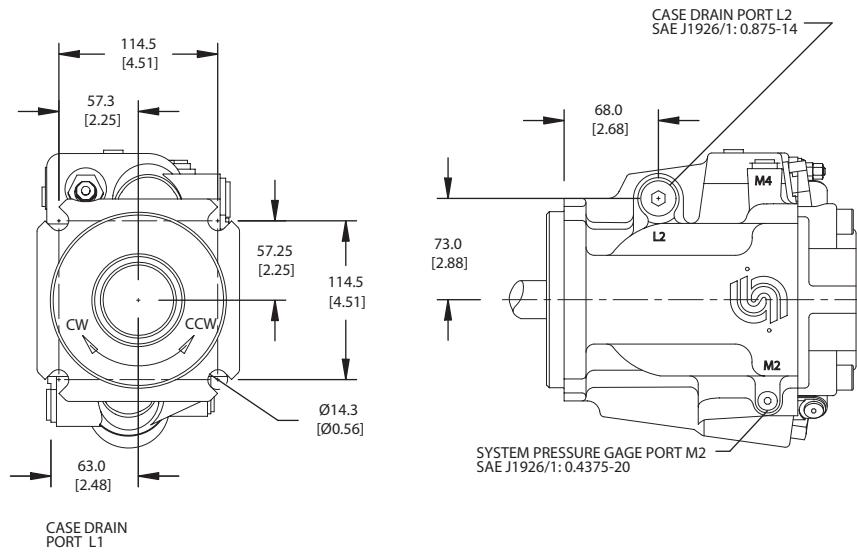


P104 061E

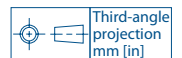


Installation Drawings
(continued)

SAE-C mounting flange, axial ported endcap (continued)

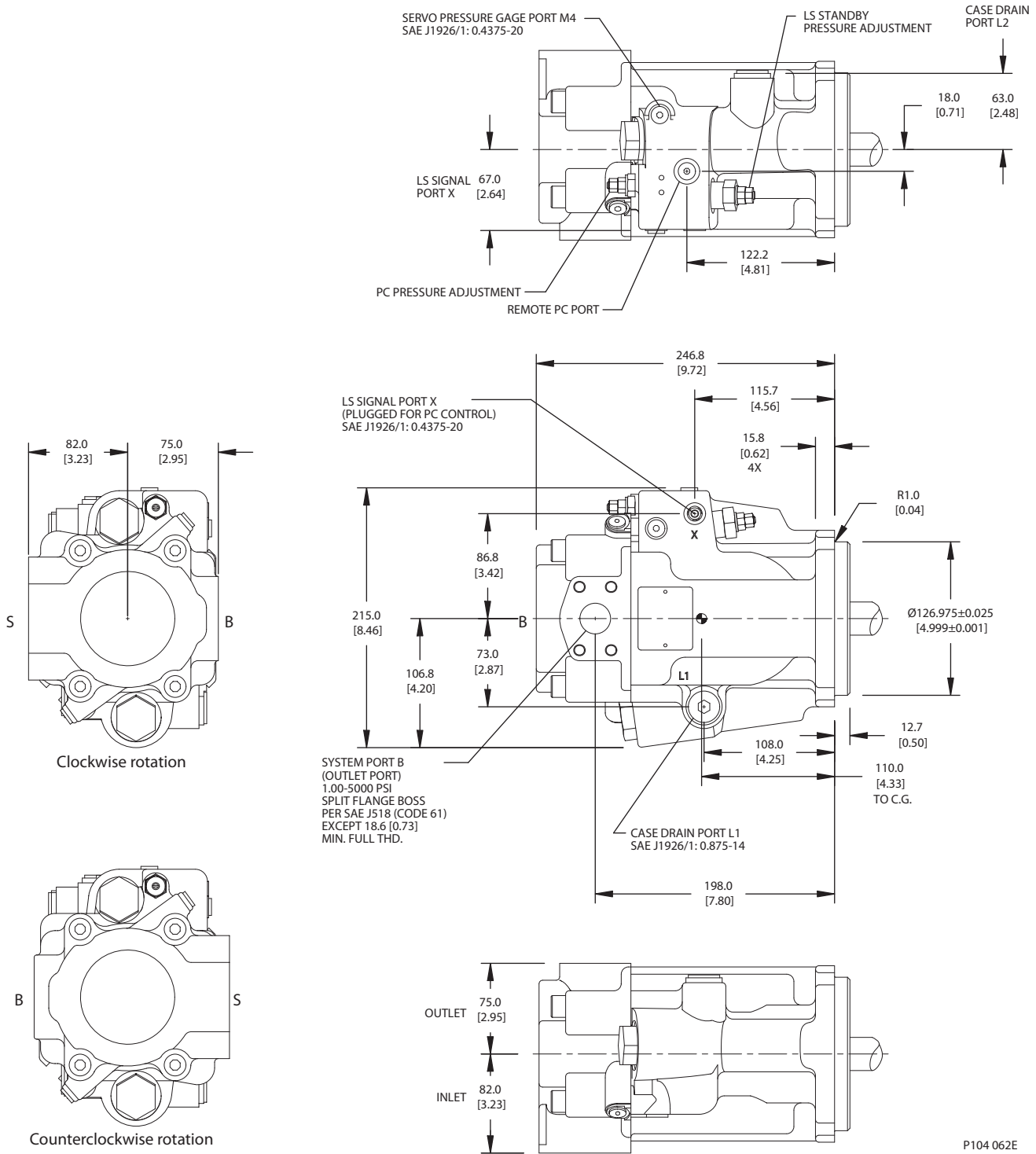


P104 061E



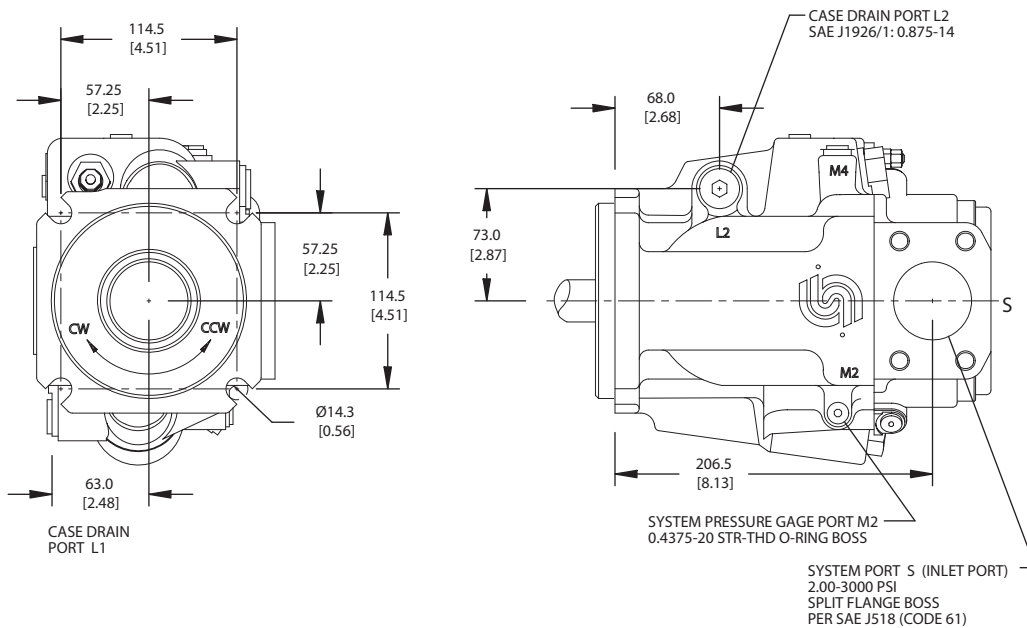
Installation Drawings
(continued)

SAE-C mounting flange, radial ported endcap



Installation Drawings
(continued)

SAE-C mounting flange, radial ported endcap (continued)

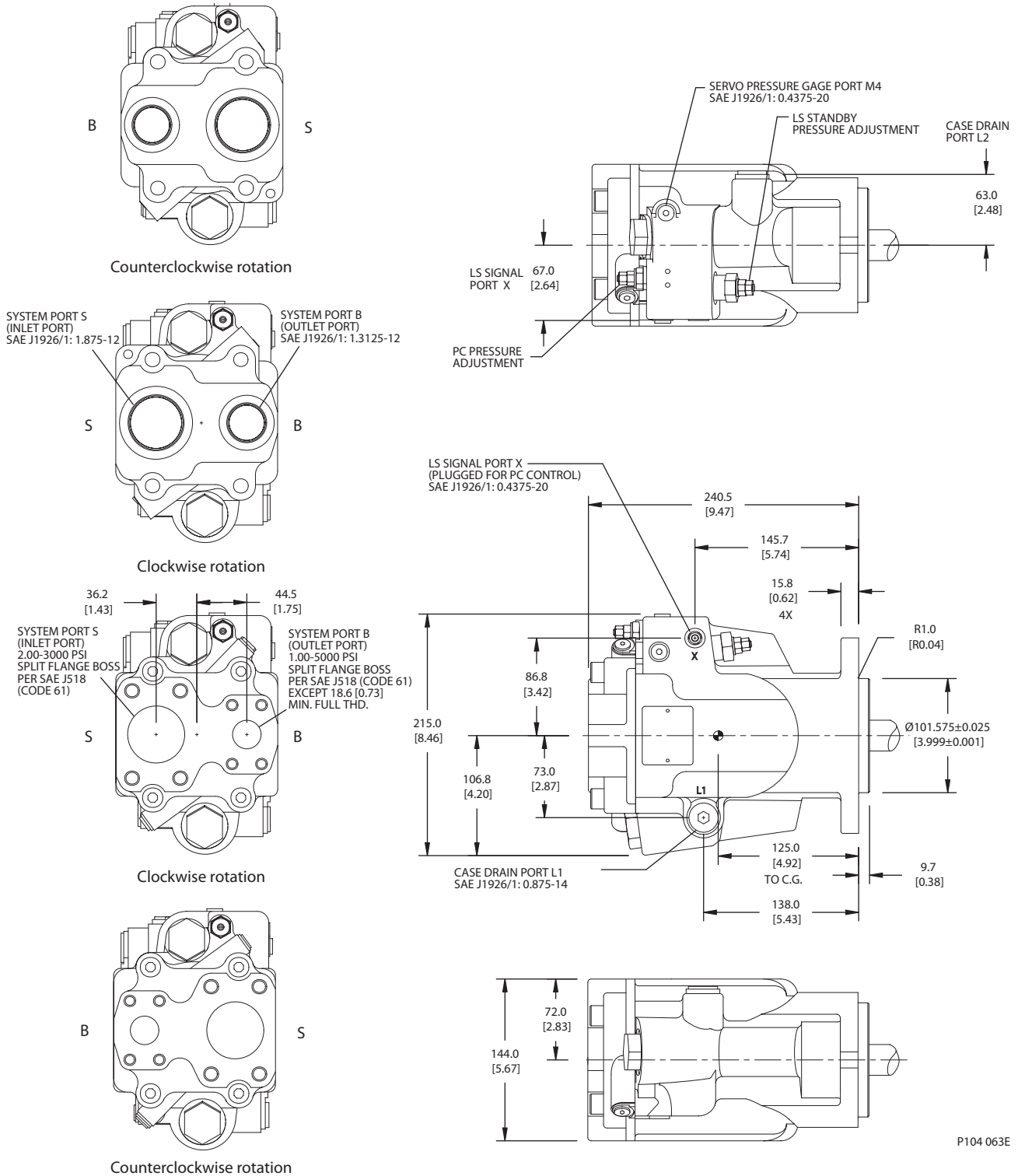


P104 062E



Installation Drawings
(continued)

SAE-B mounting flange, axial ported endcap

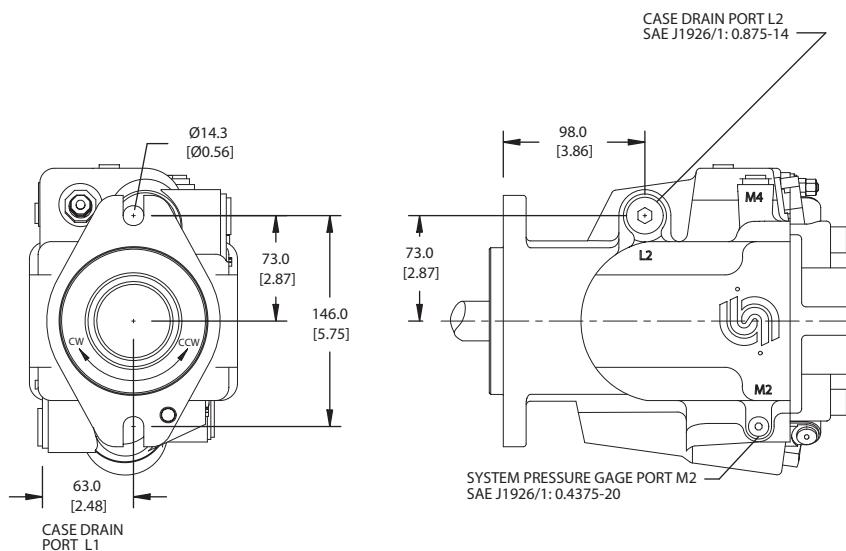


P104 063E



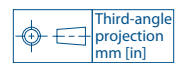
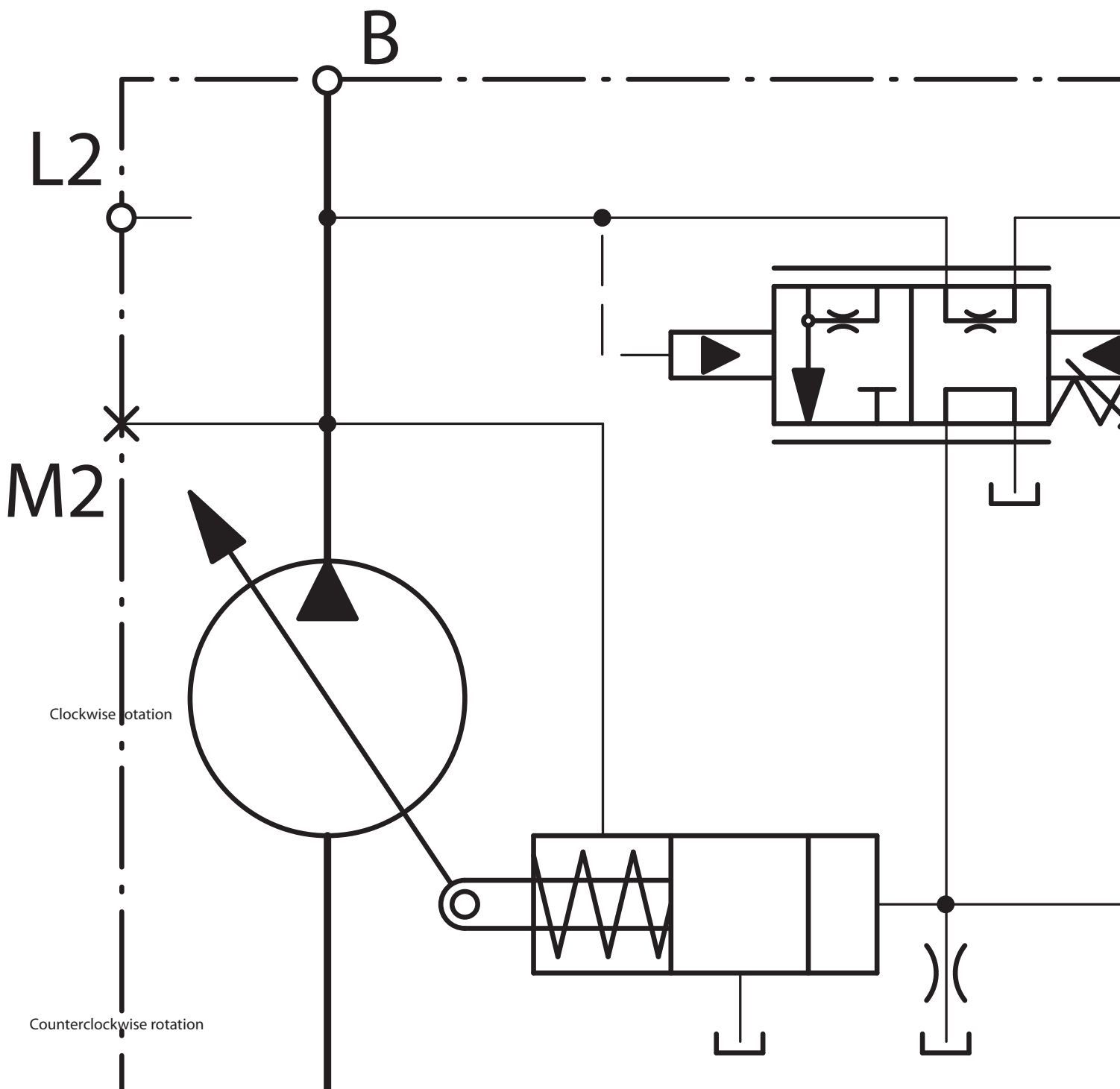
Installation Drawings
(continued)

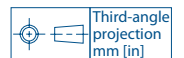
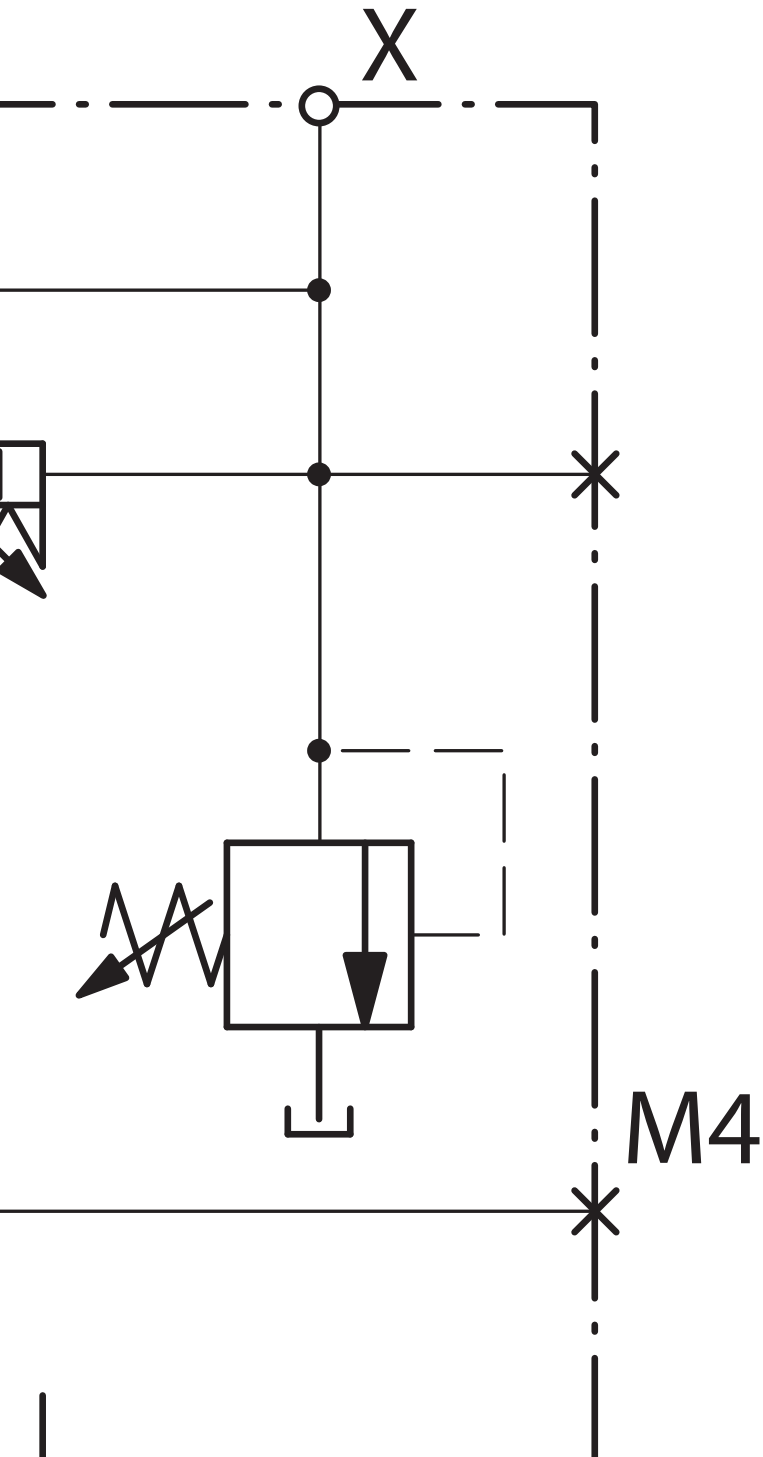
SAE-B mounting flange, axial ported endcap (continued)



P104 063E









Products we offer:

- Bent Axis Motors
- Closed Circuit Axial Piston Pumps and Motors
- Displays
- Electrohydraulic Power Steering
- Electrohydraulics
- Hydraulic Power Steering
- Integrated Systems
- Joysticks and Control Handles
- Microcontrollers and Software
- Open Circuit Axial Piston Pumps
- Orbital Motors
- PLUS+1® GUIDE
- Proportional Valves
- Sensors
- Steering
- Transit Mixer Drives

Danfoss Power Solutions is a global manufacturer and supplier of high-quality hydraulic and electronic components. We specialize in providing state-of-the-art technology and solutions that excel in the harsh operating conditions of the mobile off-highway market. Building on our extensive applications expertise, we work closely with our customers to ensure exceptional performance for a broad range of off-highway vehicles.

We help OEMs around the world speed up system development, reduce costs and bring vehicles to market faster.

Danfoss – Your Strongest Partner in Mobile Hydraulics.

Go to www.powersolutions.danfoss.com for further product information.

Wherever off-highway vehicles are at work, so is Danfoss.

We offer expert worldwide support for our customers, ensuring the best possible solutions for outstanding performance. And with an extensive network of Global Service Partners, we also provide comprehensive global service for all of our components.

Please contact the Danfoss Power Solution representative nearest you.

Comatrol

www.comatrol.com

Schwarzmueller-Inverter

www.schwarzmueller-inverter.com

Turolla

www.turollaocg.com

Valmova

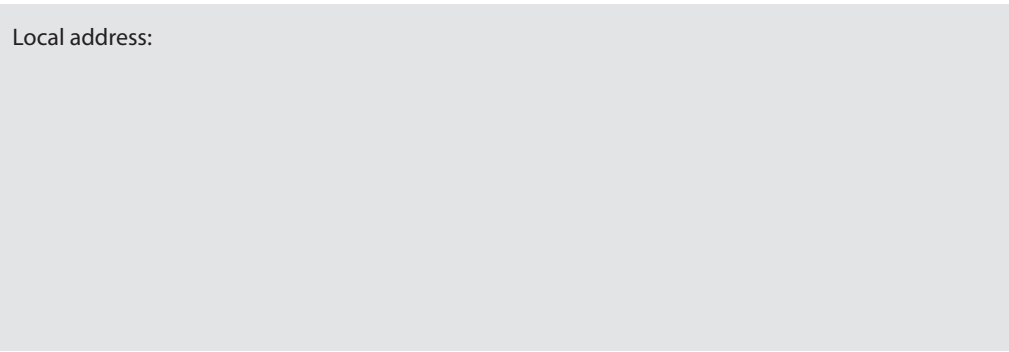
www.valmova.com

Hydro-Gear

www.hydro-gear.com

Daikin-Sauer-Danfoss

www.daikin-sauer-danfoss.com



Danfoss Power Solutions US Company

2800 East 13th Street
Ames, IA 50010, USA
Phone: +1 515 239 6000

Danfoss Power Solutions GmbH & Co. OHG

Krokamp 35
D-24539 Neumünster, Germany
Phone: +49 4321 871 0

Danfoss Power Solutions ApS

Nordborgvej 81
DK-6430 Nordborg, Denmark
Phone: +45 7488 2222

Danfoss Power Solutions

22F, Block C, Yishan Rd
Shanghai 200233, China
Phone: +86 21 3418 5200

Danfoss can accept no responsibility for possible errors in catalogues, brochures and other printed material. Danfoss reserves the right to alter its products without notice. This also applies to products already on order provided that such alterations can be made without subsequential changes being necessary in specifications already agreed. All trademarks in this material are property of the respective companies. Danfoss and the Danfoss logotype are trademarks of Danfoss A/S. All rights reserved.