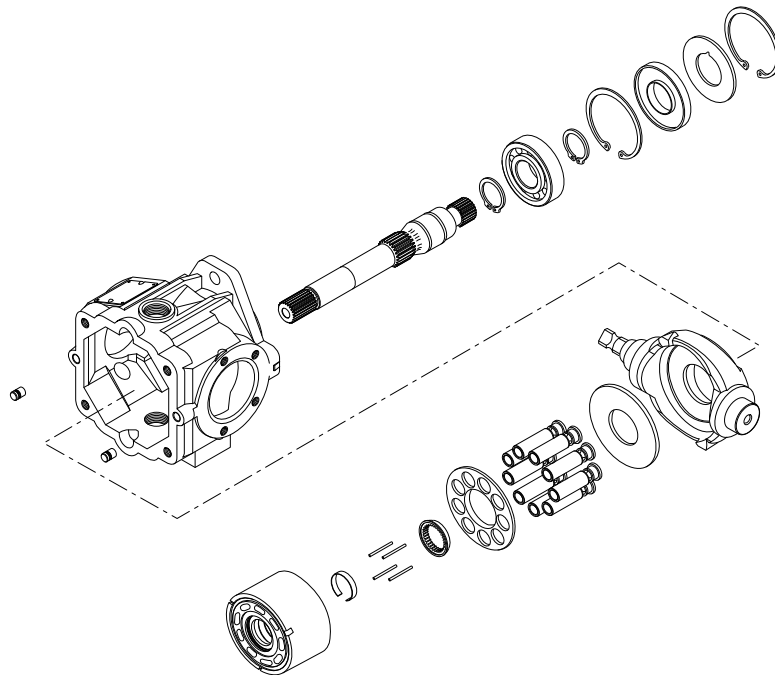


Parts Manual

Series 40 MPV044D and MPT044D Axial Piston Pumps



Revision history

Table of revisions

Date	Changed	Rev
March 2018	Updated to Engineering Tomorrow design and added SB-2017-012	0203

Contents

General information

Service Parts Identification.....	5
Nameplate.....	5
Date code.....	6
About service bulletins.....	6
Procedure to identify a part.....	7
Example of a part identification (MPV044D).....	7
Adobe Acrobat 2-page viewing.....	8
Order code, variable displacement pump.....	9
Order code, tandem pump.....	10

Variable displacement pump

Common parts and special hardware.....	12
Swashplate.....	14
Shaft and shaft seal.....	16
Valve plate rotation.....	18
Charge pump.....	20
Charge pressure relief C-S.....	22
Filtration.....	26
System pressure protection.....	28
System pressure protection AAA-BGG.....	28
System pressure protection BHB-EFF.....	30
Direct displacement control.....	32
Auxiliary mounting flange A-H.....	34
Overhaul seal kit.....	38
Notes.....	39

Variable displacement tandem pump

Common parts and special hardware.....	40
Common parts.....	40
Special hardware ABN-DNN.....	42
Special hardware DVG-GBB.....	46
Special hardware GBC-GUH.....	50
Special hardware GUJ-HTJ.....	54
Special hardware HVG-MGT.....	56
Special hardware MVG-PGV.....	60
Special hardware RVG-YUG.....	64
Special hardware ZNZ-ZVG.....	68
Swashplate.....	70
Shaft and shaft seal.....	72
Valve plate rotation.....	74
Charge pump.....	78
Charge pressure relief valve.....	80
Charge pressure relief 2, 4, A.....	80
Charge pressure relief C-Z.....	82
Filtration.....	86
System pressure protection.....	88
System pressure protection (front pump) AAA-CGA.....	88
System pressure protection (front pump) EFF-HKK.....	92
System pressure protection (rear pump) AAA-CGA.....	94
System pressure protection (rear pump) ERR-HKK.....	99
Direct displacement control.....	101
DDC (front pump) DA-DC.....	101
DDC (front pump) DD-WN.....	103
DDC (rear pump) DA-DE.....	107
DDC (rear pump) DW-WN.....	111
Swashplate (rear pump).....	113
Auxiliary mounting flange.....	115
Auxiliary mounting flange 1-4.....	115
Auxiliary mounting flange 6-B.....	117

Contents

Auxiliary mounting flange C-H.....	121
Auxiliary mounting flange I-P.....	123
Auxiliary mounting flange T-X.....	125
Auxiliary mounting flange Y, Z.....	127
Overhaul seal kit.....	129

Service bulletin

SB-1996-014.....	130
SB-1998-092.....	132
SB-1999-040.....	134
SB-2000-026A.....	135
SB-2002-021.....	136
SB-2003-018.....	137
SB-2010-037.....	139
SB-2013-002.....	141
SB-2017-012.....	142

General information

Service Parts Identification

The following information and procedure is used to identify the module group, item number, manufacture date, part number, and part name of the parts included in the

The parts listed include all parts which may be used when performing either "Minor Repairs", "Major Repairs" or "Conversions" on the.

Nameplate

Each unit will have a nameplate affixed to the housing. The nameplate will include the following information:

Model Code

The Danfoss model code completely defines the specific unit and must be used when ordering parts to service this product.

Model Number

The Danfoss model number is used by the factory in manufacturing. On repeat orders, a complete unit can be ordered by the model number.

Serial Number

The Danfoss serial number is used to identify the manufacture date and the unit sequence in the build. The serial number is also used to identify the units warranty time period.

The letter code indicates the location of original manufacture (assembly).

The first number (2 digits) indicates the year of manufacture. The second number (2 digits) indicates the calendar week of manufacture.

The third number (5 digits) is a sequential number used to identify a specific unit.



General information

Date code

The date code is defined as the year and week of manufacture. The same item number may list more than one part number. This indicates that there is more than one configuration for that item number. You will see that there are different date codes for the different part numbers. Find the date code of your unit from the nameplate to determine which service part number you need to order.

Example: The service part desired is item G30

Order Code	Item	Date Begin	Date End	Part Number	Part Name	Qty. per Model/Kit
80	G30	89-17		8000243	End cap gasket	1
	G30		89-16	8000151	End cap gasket (SB-1995-006)	1

All units using this order code with a date code prior to 89-17 must use part number "8000151." All units with a date code of 89-17 and newer must use part number "8000243."

About service bulletins

A Service Bulletin Number (SB-____-____) may follow the "Part Name" of the part you desire. You must read that Service Bulletin prior to ordering that part. The information contained in these Service Bulletins, as of the print date of this bulletin, are included at the end of this manual. Service Bulletins contain more detailed information such as interchangeability, what additional parts are involved, etc. It is suggested that you add additional Service Bulletins to this manual as you receive them.

General information

Procedure to identify a part

The modular design of this product results in a simplified service parts list and part number identification procedure.

The same item numbers are used for same part names on all units within a product type..

A part number that has another number following it in parentheses is done to make this a world wide manual. The first number is sold in Germany. The number in parentheses is sold in the United States (example: 314583 (9008000-0118), customers would order 9008000-0118 if ordering the part in the United States).

Example of a part identification (MPV044D)

The nameplate on a Series 40 pump has an Order Code of MPV-044-D-B-A-G-W-A-G-NN-A-A-BJJ-DR-A-FF-A-NNN. Follow the steps below to determine the part number of the drive shaft used on this pump:

1. Referring to the input shaft module in the [Order code, variable displacement pump](#), the output shaft option for this motor is identified by the code **G**. (MPV-044-D-B-A-**G**-W-A-G-NN-A-A-BJJ-DR-A-FF-A-NNN)
2. Referring to the Service Parts List, find the shaft group
3. Find the order code that relates to this unit, which is **G**.
4. Follow along shaft item E01 to find the part number

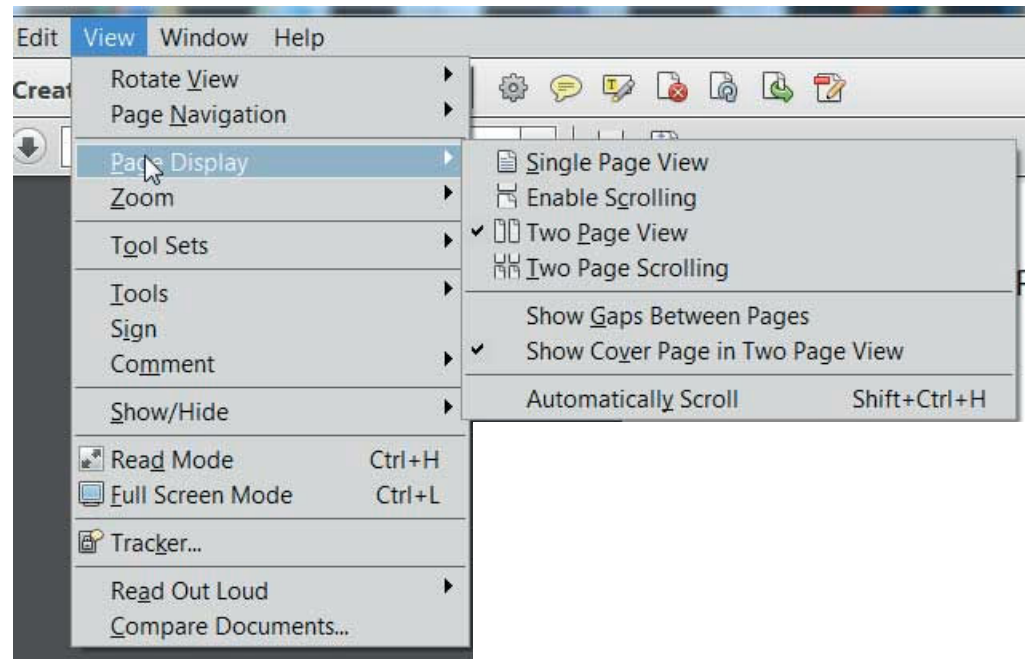
The part number is 4350431.

General information

Adobe Acrobat 2-page viewing

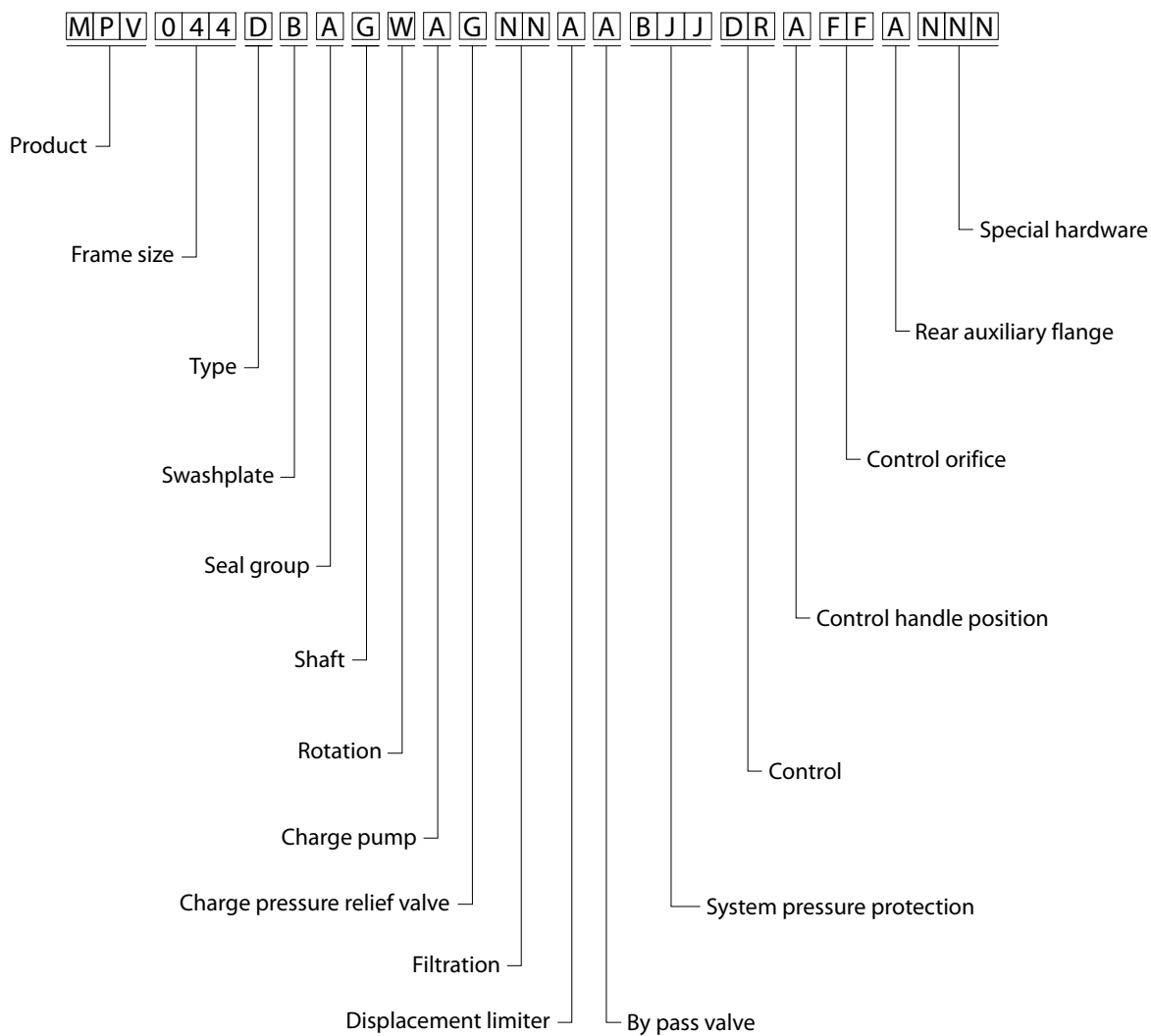
While viewing manual in Adobe Acrobat, the following settings need to be applied to ensure proper page display.

1. Select "View" → "Page Display" → "Two Page View"
2. Select "View" → "Page Display" → "Show Cover Page in Two Page View"



General information

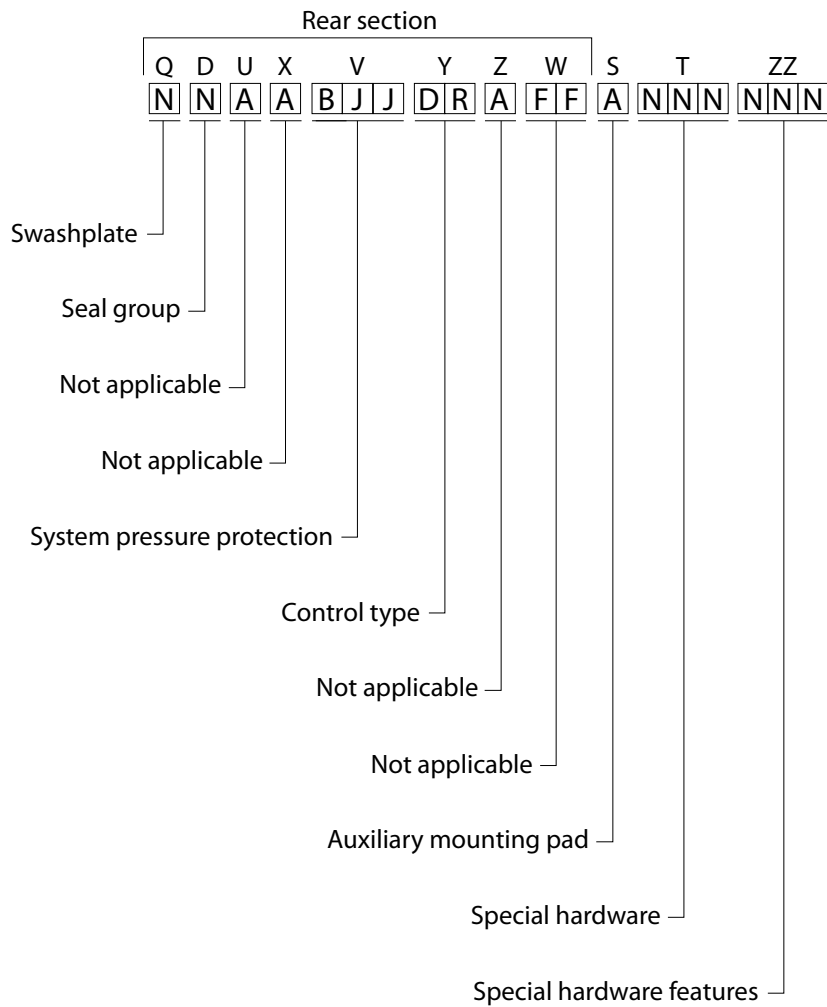
Order code



General information

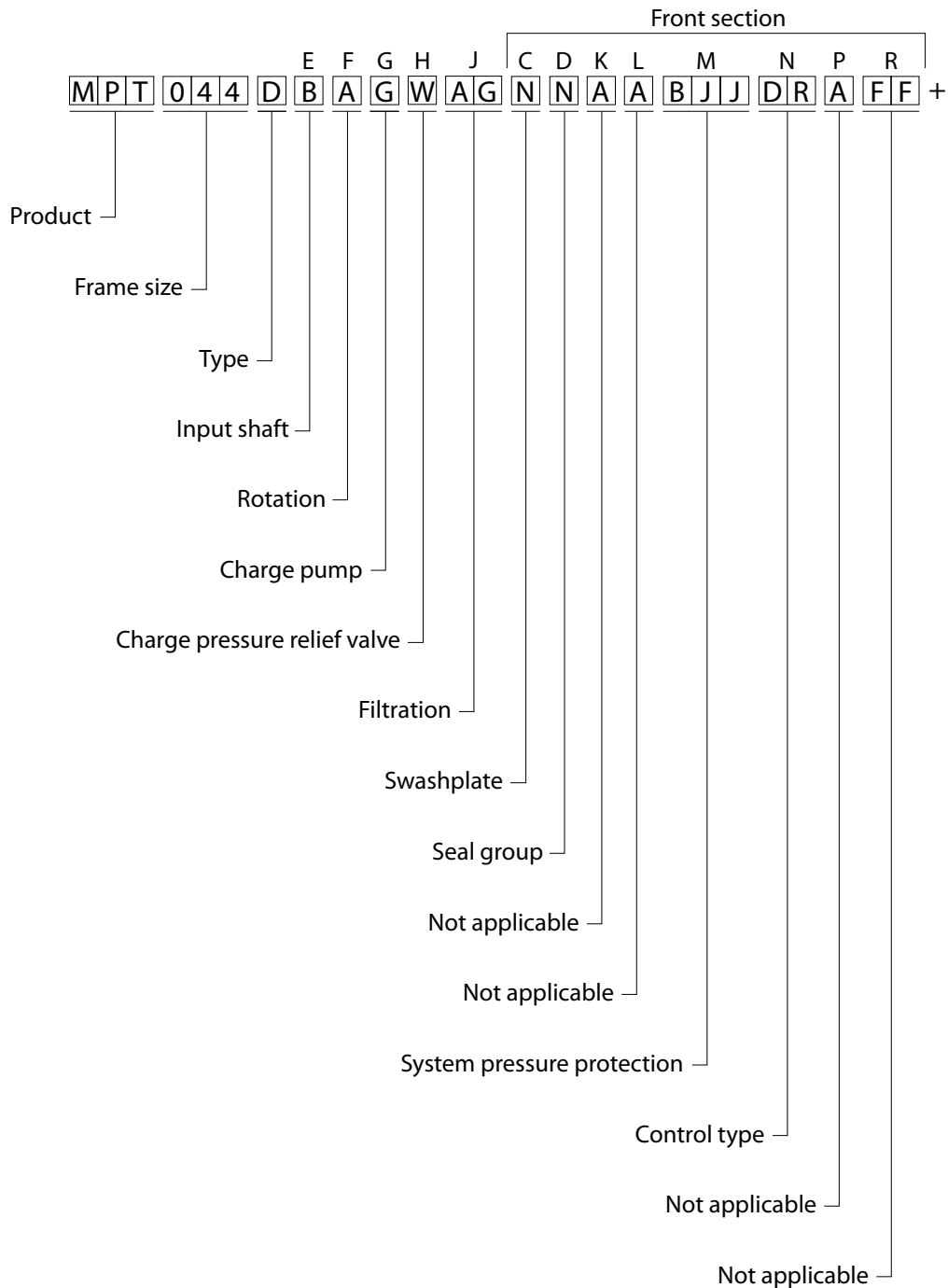
Order code, tandem pump

Rear tandem



General information

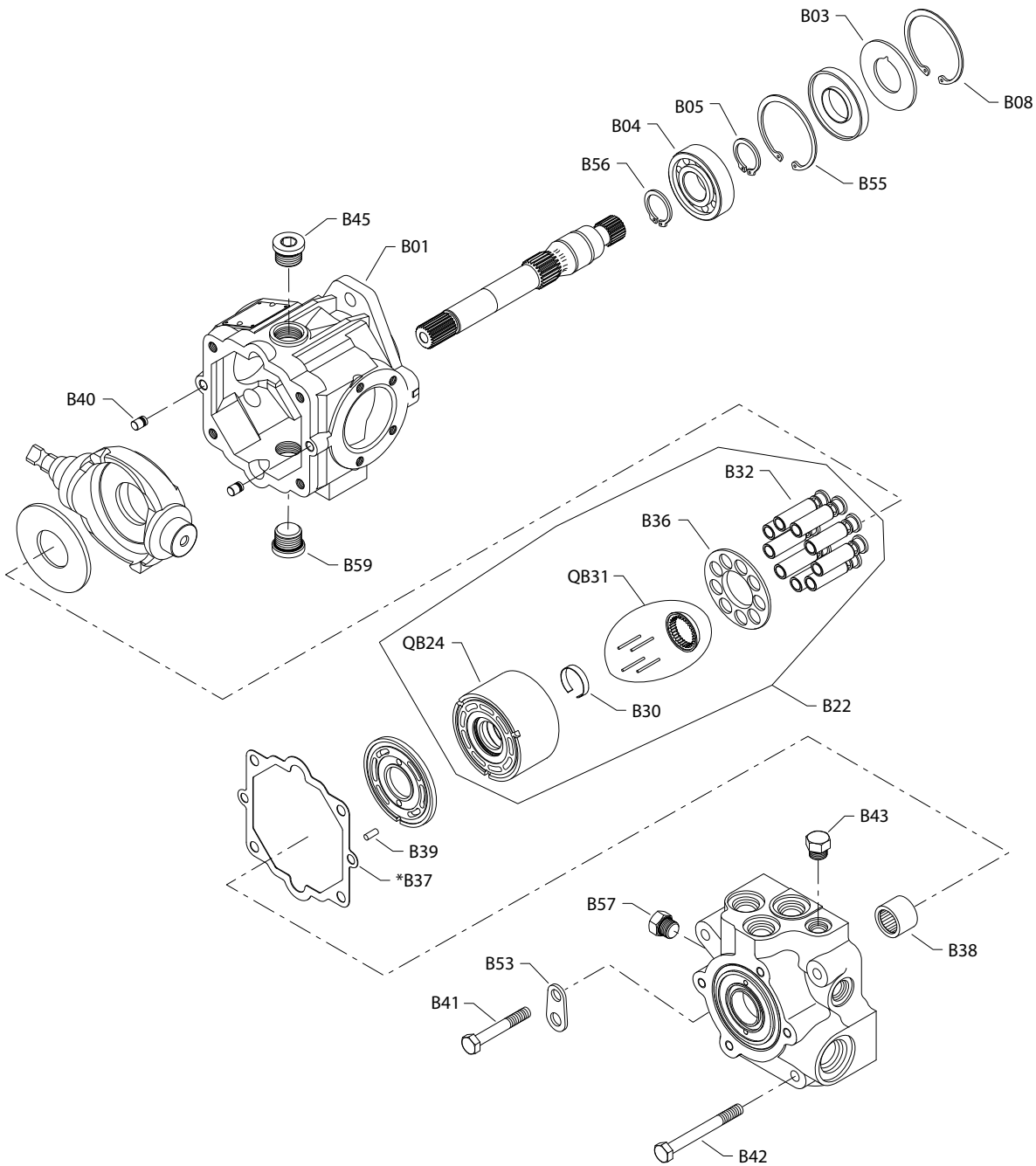
Front tandem



Variable displacement pump

S40 MPV common parts and special hardware

Parts configuration



* Included in overhaul seal kit Q210

Variable displacement pump

Common parts

Item	Date Begin	Date End	Part Number	Part Name	Qty. per Model/Kit
B01	95-45		4350350	Housing	1
B03	95-45		11083729	Seal support washer	1
B04	95-45		5000731	Ball bearing	1
B05	95-45		9006300-0137	Retaining ring	1
B08	95-45		9006200-0281	Retaining ring	1
B30	95-45		4350048	Slipper holddown pin retainer	1
B36	95-45		4350185	Slipper retainer	1
B37	95-45		4350145	End cap gasket	1
B38	95-45		9001465-0015	Needle bearing	1
B39	95-45		9004700-1910	Slotted pin	1
B40	95-45		5000529	Pin (SB-1998-092 on page 132)	2
B41	95-45		9007210-1014	Screw, M10 x 65	2
B42	95-45		648444 (9007210-1018)	Screw, M10 x 90	2
B43	95-45		046151 (9005100-5600)	Plug assembly	1
B45	95-45		664524 (9005110-9000)	Plug assembly	1
B53	95-45		8800565	Lifting bracket	1
B55	95-45		9006200-0281	Retaining ring	1
B56	95-45		615245 (9006300-0137)	Retaining ring	1
B57	95-45		046151 (9005100-5600)	Plug assembly	1
B59	95-45		664524 (9005110-9000)	Plug assembly	1
QB24	95-45		11131906	Cylinder block assembly	1
QB31	17-12		11178525	SVC kit- ball guide and pins (SB-2017-012 on page 142)	1

Special hardware

Order code: ANA

B22	95-45		4440114	Cylinder block kit, welded pistons	1
B32	95-45		4440113	Piston assembly, welded	9

Order code: NGD

B22	95-45		4440004	Cylinder block kit	1
B32	95-45		4440003	Piston assembly	9

Order code: NNN

B22	95-45		4440004	Cylinder block kit	1
B32	95-45		4440003	Piston assembly	9

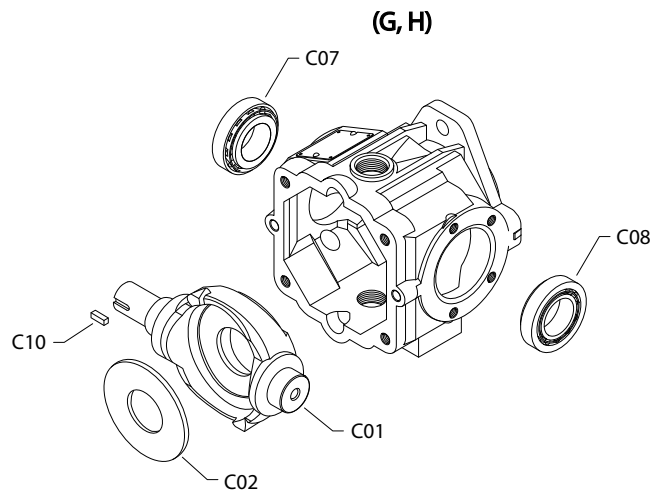
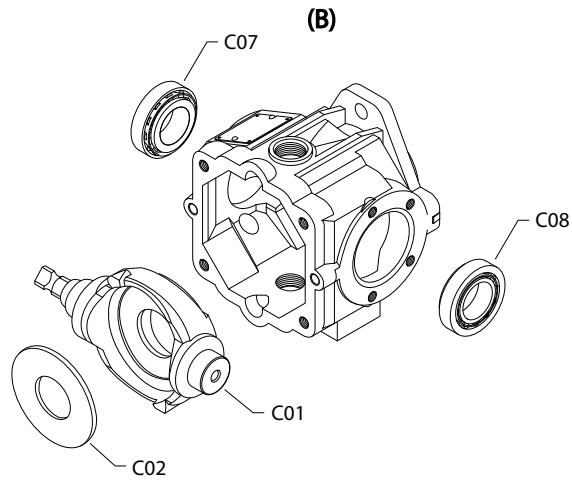
Order code: NOP

B22	95-45		4440004	Cylinder block kit	1
B32	95-45		4440003	Piston assembly	9

Variable displacement pump

S40 MPV swashplate B-H

Parts configuration



Swashplates shown controlled on right.

Variable displacement pump

Order code: B

Item	Date Begin	Date End	Part Number	Part Name	Qty. per Model/Kit
C01	95-45		11166719	Swashplate, tapped	1
C02	95-45		4350148	Thrust plate	1
C07	95-45		4800470	Bearing kit	1
C08	95-45		4800470	Bearing kit	1

Order code: G

C01	03-07		4350823	Swashplate, 24 mm diameter keyed, 14.6°	1
C02	03-07		4350148	Thrust plate	1
C07	03-07		4800470	Bearing kit	1
C08	03-07		4800470	Bearing kit	1
C10	05-05		1040275	Key	1

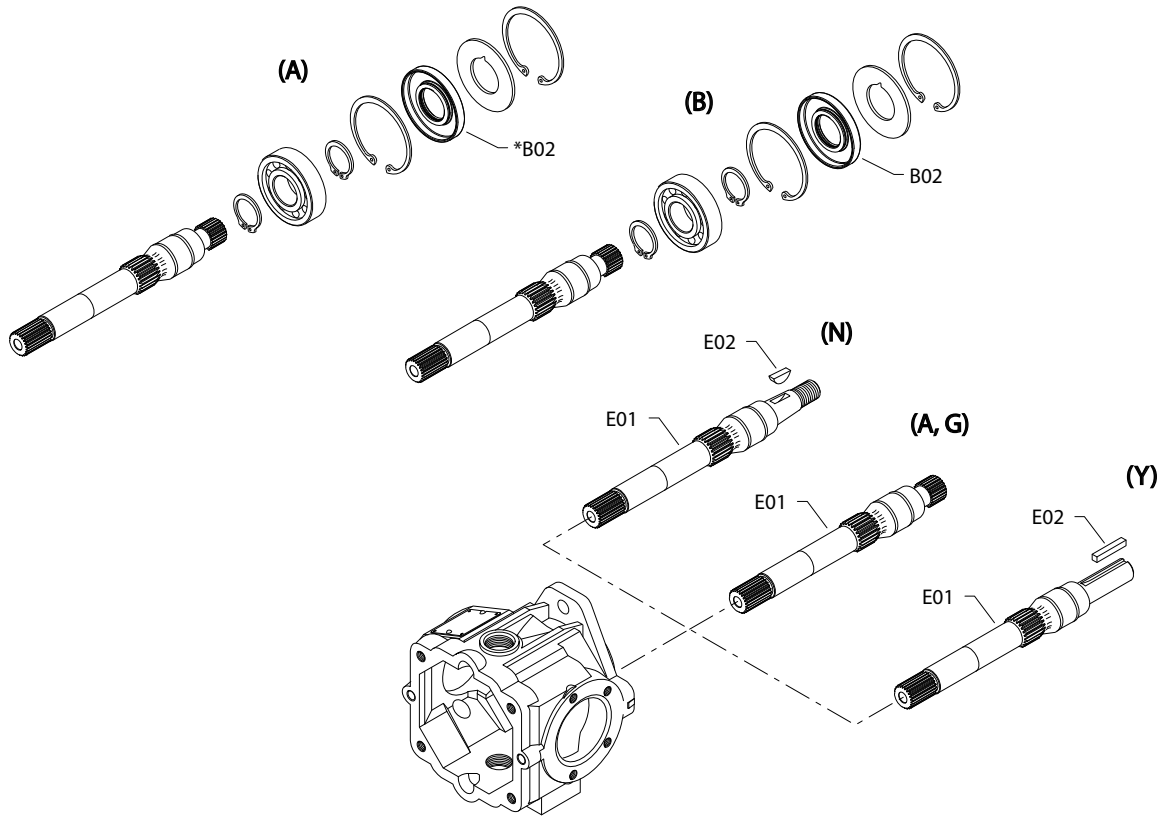
Order code: H

C01	03-07		4350822	Swashplate, 24 mm diameter keyed, 16°	1
C02	03-07		4350148	Thrust plate	1
C07	03-07		4800470	Bearing kit	1
C08	03-07		4800470	Bearing kit	1
C10	05-05		1040275	Key	1

Variable displacement pump

S40 MPV shaft and shaft seal

Parts configuration



* Included in overhaul seal kit Q210

Variable displacement pump

Shaft seal

Order code: A

Item	Date Begin	Date End	Part Number	Part Name	Qty. per Model/Kit
B02	95-45		5000689	Lip seal (SB-2003-018 on page 137)	1

Order code: B

B02	13-03		11103135	Lip seal	1
-----	-------	--	----------	----------	---

Shaft

Order code: A

E01	95-45		4350397	Shaft, 13-tooth spline	1
-----	-------	--	---------	------------------------	---

Order code: G

E01	95-45		4350431	Shaft, 15-tooth spline	1
-----	-------	--	---------	------------------------	---

Order code: N

E01	95-45		4350398	Shaft, tapered	1
E02	95-45		9003310-2514	Key, woodruff	1

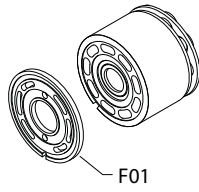
Order code: Y

E01	95-45		4350399	Shaft, straight key	1
E02	95-45		9003261-2524	Key, square	1

Variable displacement pump

S40 MPV valve plate rotation

Parts configuration



Variable displacement pump

Order code: 2

Item	Date Begin	Date End	Part Number	Part Name	Qty. per Model/Kit
F01	98-12		4350729	Valve plate, CCW, 4° index	1

Order code: 4

F01	98-43		4440076	Valve plate, CCW, low force	1
-----	-------	--	---------	-----------------------------	---

Order code: 5

F01	98-43		4440075	Valve plate, CW, low force	1
-----	-------	--	---------	----------------------------	---

Order code: 7

F01	98-12		4350728	Valve plate, CW, 4° index	1
-----	-------	--	---------	---------------------------	---

Order code: 8

F01	95-45		4350730	Valve plate, CW, 6° index	1
-----	-------	--	---------	---------------------------	---

Order code: 9

F01	95-45		4350731	Valve plate, CCW, 6° index	1
-----	-------	--	---------	----------------------------	---

Order code: R

F01	95-45		4350157	Valve plate, CW	1
-----	-------	--	---------	-----------------	---

Order code: W

F01	95-45		4350322	Valve plate, CW, quiet	1
-----	-------	--	---------	------------------------	---

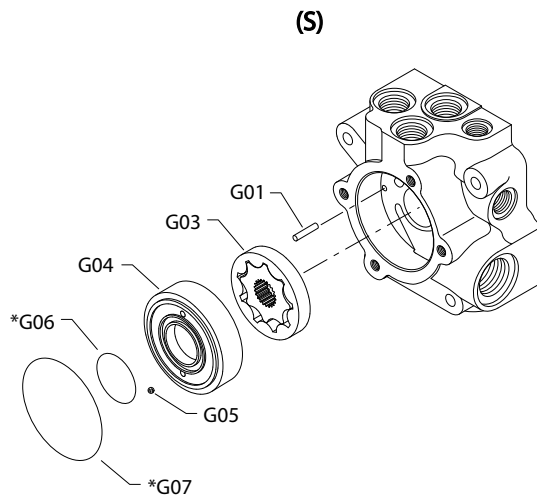
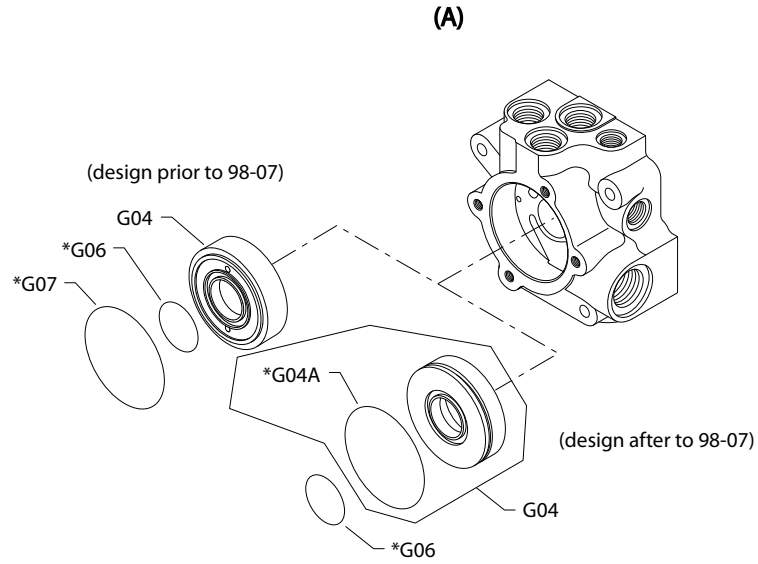
Order code: Y

F01	95-45		4350323	Valve plate, CCW, quiet	1
-----	-------	--	---------	-------------------------	---

Variable displacement pump

S40 MPV charge pump

Parts configuration



* Included in overhaul seal kit Q210

Variable displacement pump

Order code: A

Item	Date Begin	Date End	Part Number	Part Name	Qty. per Model/Kit
G04	98-07		4800670	Spacer assembly	1
G04	95-45	98-06	4800179	Spacer	1
G04A	98-07		673533	O-ring	1
G06	98-07		5000352	O-ring	1
G07	95-45	98-06	5000353	O-ring	1

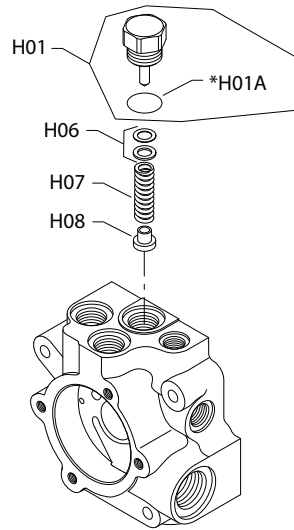
Order code: S

G01	95-45		9004800-1908	Pin	1
G03	95-45		4800170	Gerotor assembly	1
G04	95-45		4800179	Spacer	1
G05	95-45		018564 (9001210-1900)	Ball	1
G06	95-45		5000352	O-ring	1
G07	95-45		5000353	O-ring	1

Variable displacement pump

S40 MPV charge pressure relief valve C-

Parts configuration



* Included in overhaul seal kit Q210

Variable displacement pump

Order code: C

Item	Date Begin	Date End	Part Number	Part Name	Qty. per Model/Kit
H01	95-50		4800308	Plug assembly/18 bar [260 psi]	1
H01A	95-50		001149 (9004201-6200)	O-ring	1
H06	95-50		4510027	Shim kit	1
H07	95-50		4800176	Spring	1
H08	95-50		4800134	Poppet	1

Order code: E

H01	95-45		4800308	Plug assembly/11 bar [160 psi]	1
H01A	95-45		001149 (9004201-6200)	O-ring	1
H06	95-45		4510027	Shim kit	1
H07	95-45		4800176	Spring	1
H08	95-45		4800134	Poppet	1

Order code: F

H01	95-45		4800308	Plug assembly/7.5 bar [110 psi]	1
H01A	95-45		001149 (9004201-6200)	O-ring	1
H06	95-45		4510027	Shim kit	1
H07	95-45		4800714	Spring	1
H08	95-45		4800134	Poppet	1

Order code: G

H01	95-45		4800308	Plug assembly/14 bar [200 psi]	1
H01A	95-45		001149 (9004201-6200)	O-ring	1
H06	95-45		4510027	Shim kit	1
H07	95-45		4800176	Spring	1
H08	95-45		4800134	Poppet	1

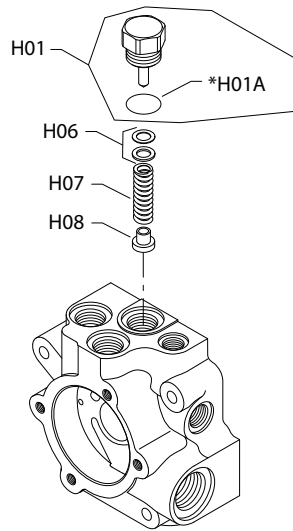
Order code: H

H01	03-26		4800308	Plug assembly/24 bar [348 psi]	1
H01A	03-26		001149 (9004201-6200)	O-ring	1
H06	03-26		4510027	Shim kit	1
H07	03-26		11022448	Spring	1
H08	03-26		4800134	Poppet	1

[Parts continue to the next 2 pages.](#)

Variable displacement pump

Parts configuration



* Included in overhaul seal kit Q210

Order code: R

H01	98-40		4800308	Plug assembly/6.2 bar [90 psi]	1
H01A	98-40		001149 (9004201-6200)	O-ring	1
H06	98-40		4510027	Shim kit	1

Variable displacement pump

Order code: R (continued)

H07	98-40		4800714	Spring	1
H08	98-40		4800134	Poppet	1

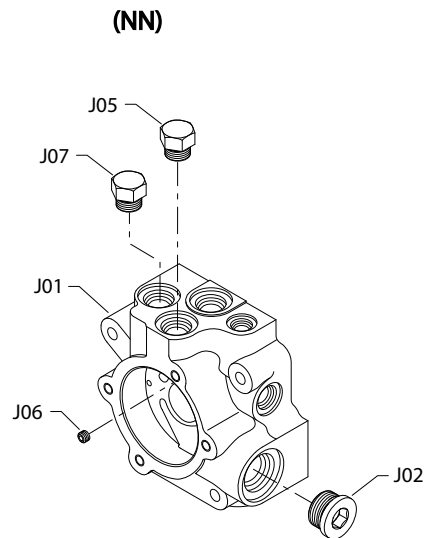
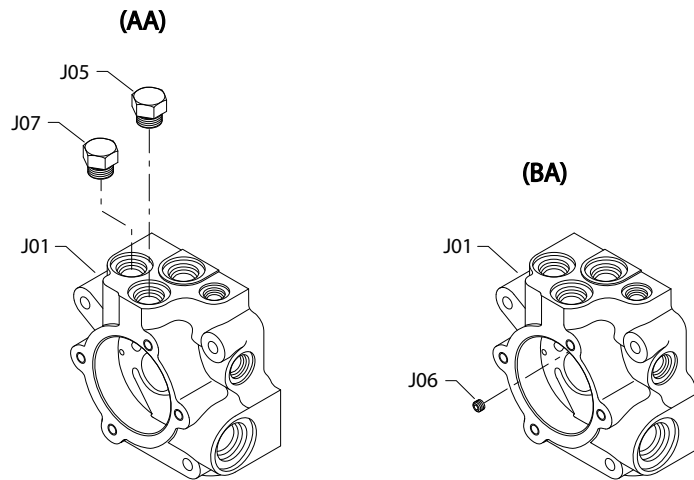
Order code: S

H01	03-50		4350846	Plug assembly/18 bar [260 psi], low noise	1
H01A	03-50		001149 (9004201-6200)	O-ring	1
H06	03-50		4510027	Shim kit	1
H07	03-50		4800176	Spring	1
H08	03-50		1732454	Poppet	1

Variable displacement pump

S40 MPV Filtration

Parts configuration



Variable displacement pump

Order code: AA

Item	Date Begin	Date End	Part Number	Part Name	Qty. per Model/Kit
J01	95-45		4350257	End cap	1
J05	95-45		001537 (9005100-8700)	Plug assembly	1
J07	95-45		001537 (9005100-8700)	Plug assembly	1

Order code: BA

J01	95-45		4350257	End cap	1
J06	95-45		001487 (9005001-2500)	Pipe plug	1

Order code: NN

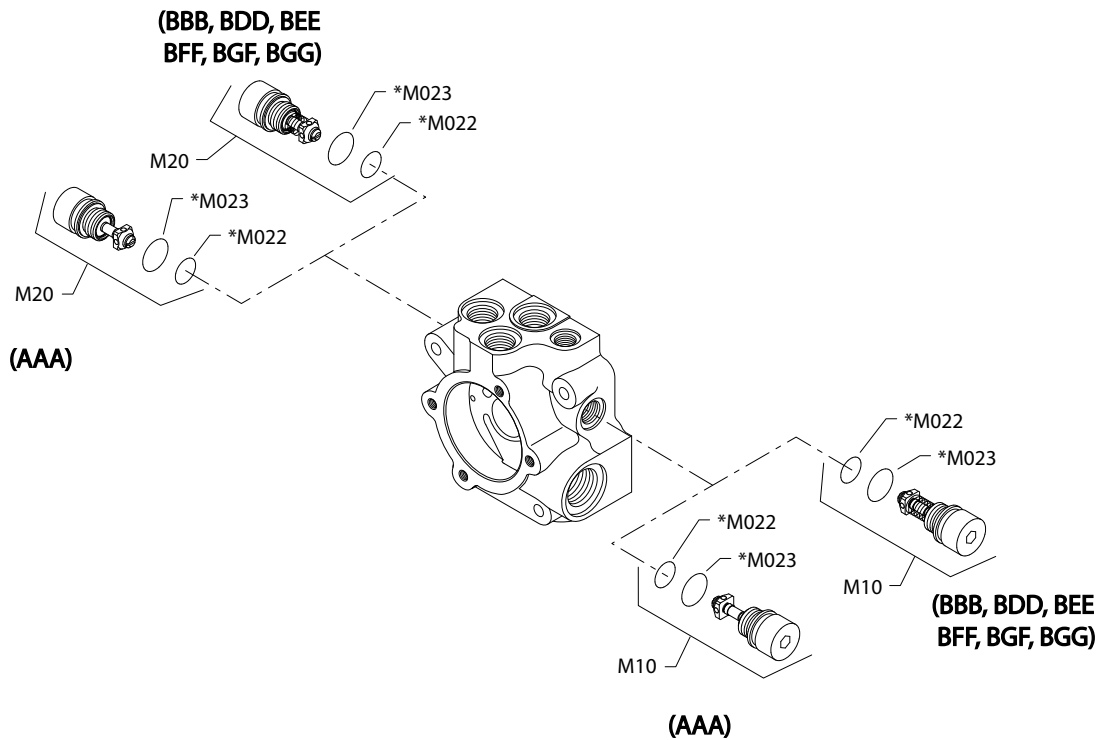
J01	95-45		4350257	End cap	1
J02	95-45		001537 (9005110-9200)	Plug assembly	1
J05	95-45		001537 (9005100-8700)	Plug assembly	1
J06	95-45		001487 (9005001-2500)	Pipe plug	1
J07	95-45		001537 (9005100-8700)	Plug assembly	1

Variable displacement pump

System pressure protection

MPV044D system pressure protection AAA-BGG

Parts configuration



* Included in overhaul seal kit Q210

Variable displacement pump

Common parts

Item	Date Begin	Date End	Part Number	Part Name	Qty. per Model/Kit
M022	95-45		001131 (9004201-5000)	O-ring	2
M023	95-45		9004100-2110	O-ring	2

Order code: AAA

M10	95-45		4350634	Check valve poppet assembly (SB-1996-014 on page 130)	1
M20	95-45		4350634	Check valve poppet assembly (SB-1996-014 on page 130)	1

Order code: BBB

M10	95-45		4350643	SCR valve assembly, 175 bar [2528 psi] (SB-1996-014 on page 130)	1
M20	95-45		4350643	SCR valve assembly, 175 bar [2528 psi] (SB-1996-014 on page 130)	1

Order code: BDD

M10	95-45		4350641	SCR valve assembly, 210 bar [3045 psi] (SB-1996-014 on page 130)	1
M20	95-45		4350641	SCR valve assembly, 210 bar [3045 psi] (SB-1996-014 on page 130)	1

Order code: BEE

M10	95-45		4350640	SCR valve assembly, 230 bar [3335 psi] (SB-1996-014 on page 130)	1
M20	95-45		4350640	SCR valve assembly, 230 bar [3335 psi] (SB-1996-014 on page 130)	1

Order code: BFF

M10	95-45		4350639	SCR valve assembly, 250 bar [3625 psi] (SB-1996-014 on page 130)	1
M20	95-45		4350639	SCR valve assembly, 250 bar [3625psi] (SB-1996-014 on page 130)	1

Order code: BGF

M10	96-28		4350638	SCR valve assembly, 280 bar [4060 psi]	1
M20	96-28		4350639	SCR valve assembly, 250 bar [3625 psi]	1

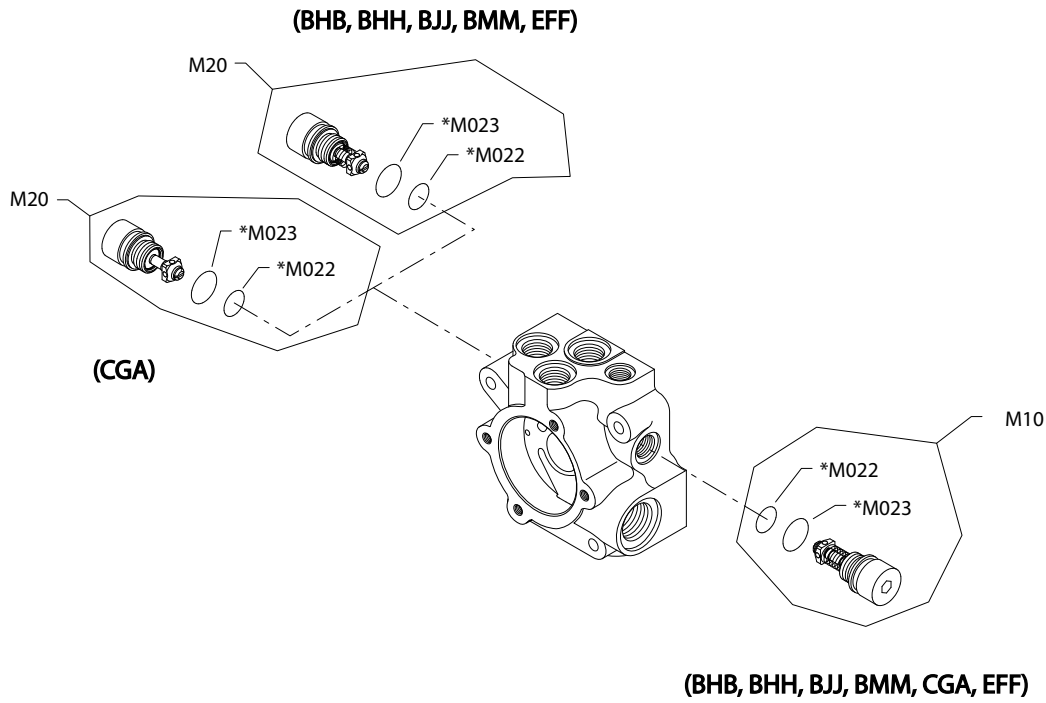
Order code: BGG

M10	95-45		4350638	SCR valve assembly, 280 bar [4060 psi] (SB-1996-014 on page 130)	1
M20	95-45		4350638	SCR valve assembly, 280 bar [4060 psi] (SB-1996-014 on page 130)	1

Variable displacement pump

MPV044D system pressure protection BHB-EFF

Parts configuration



* Included in overhaul seal kit Q210

Variable displacement pump

Common parts

Item	Date Begin	Date End	Part Number	Part Name	Qty. per Model/Kit
M022	95-45		001131 (9004201-5000)	O-ring	2
M023	95-45		9004100-2110	O-ring	2

Order code: BHB

M10	95-45		4350637	SCR valve assembly, 300 bar [4350 psi] (SB-1996-014 on page 130)	1
M20	95-45		4350643	SCR valve assembly, 175 bar [2528 psi] (SB-1996-014 on page 130)	1

Order code: BHH

M10	95-45		4350637	SCR valve assembly, 300 bar [4350 psi] (SB-1996-014 on page 130)	1
M20	95-45		4350637	SCR valve assembly, 300 bar [4350 psi] (SB-1996-014 on page 130)	1

Order code: BJJ

M10	95-45		4350636	SCR valve assembly, 345 bar [5000 psi] (SB-1996-014 on page 130)	1
M20	95-45		4350636	SCR valve assembly, 345 bar [5000 psi] (SB-1996-014 on page 130)	1

Order code: BMM

M10	95-45		4350635	SCR valve assembly, 140 bar [2030 psi] (SB-1996-014 on page 130)	1
M20	95-45		4350635	SCR valve assembly, 140 bar [2030 psi] (SB-1996-014 on page 130)	1

Order code: CGA

M10	95-45		4350638	SCR valve assembly, 280 bar [4060 psi] (SB-1996-014 on page 130)	1
M20	95-45		4350634	Check valve poppet assembly (SB-1996-014 on page 130)	1

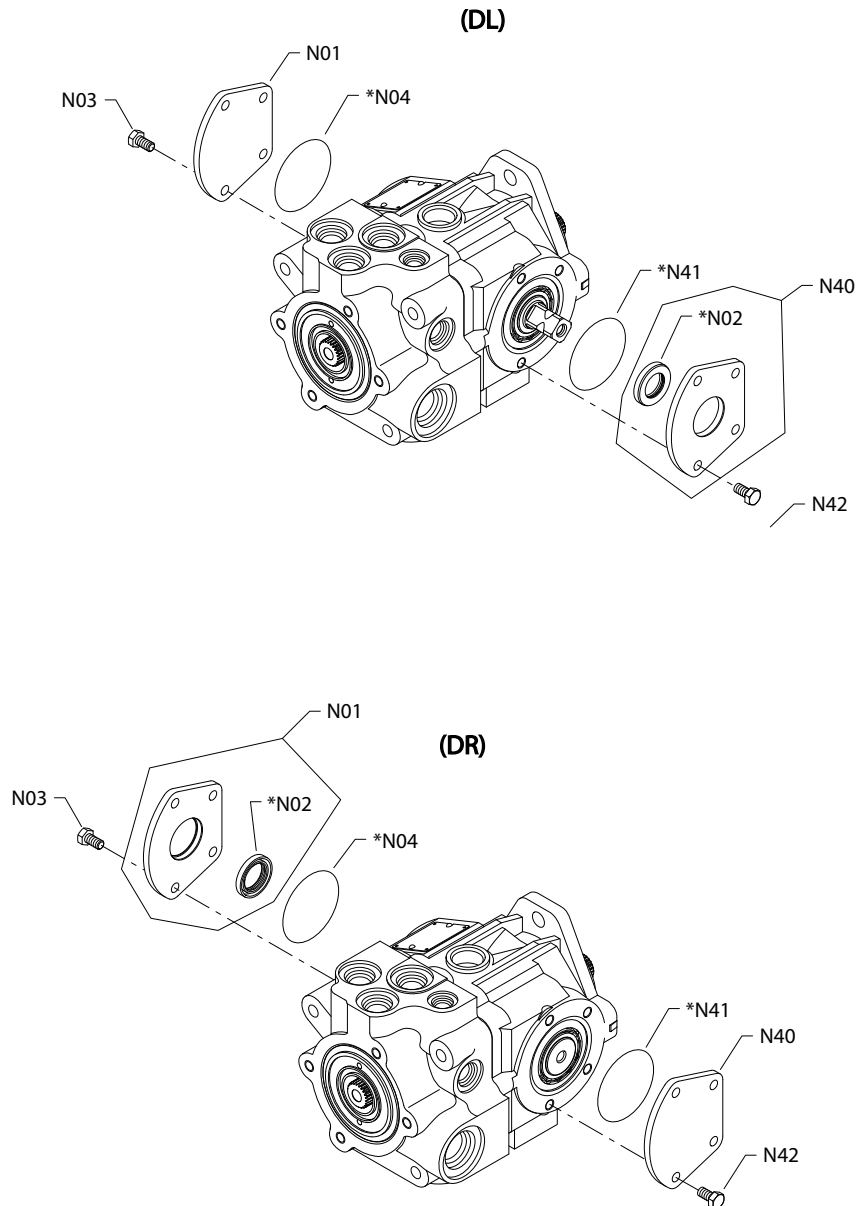
Order code: EFF

M10	98-47		4250139	SCR valve assembly, 250 bar [3625 psi]	1
M20	95-45		4250139	SCR valve assembly, 250 bar [3625 psi]	1

Variable displacement pump

S40 MPV direct displacement control

Parts configuration



* Included in overhaul seal kit Q210

Variable displacement pump

Order code: DL

Item	Date Begin	Date End	Part Number	Part Name	Qty. per Model/Kit
N01	95-45		4250027	Trunnion cover	1
N02	95-45		5000604	Trunnion lip seal (SB-2000-026A on page 135)	1
N03	95-45		378083 (9007210-0804)	Screw	4
N04	95-45		9004300-1460	O-ring	1
N40	95-45		4350732	Trunnion cover assembly, on left side (SB-1999-040 on page 134)	1
N41	95-45		9004300-1460	O-ring	1
N42	95-45		378083 (9007210-0804)	Screw	4

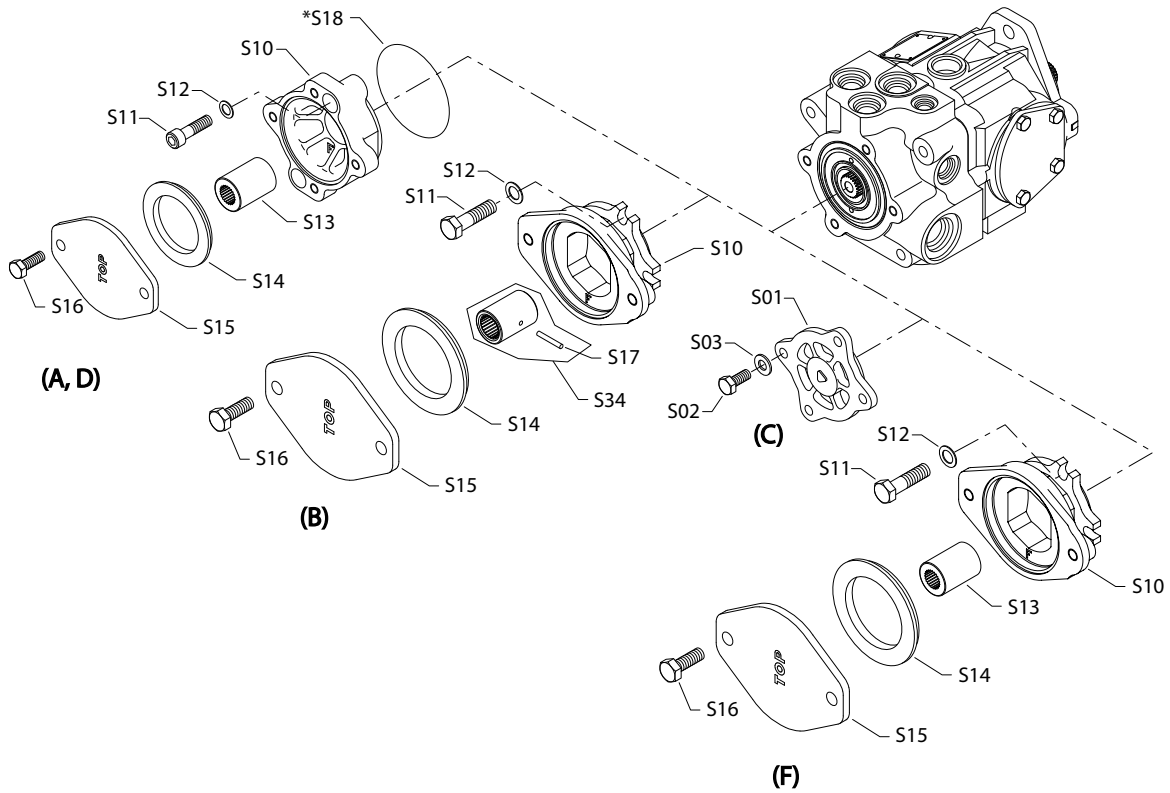
Order code: DR

N01	95-45		4350732	Trunnion cover assembly, on right side (SB-1999-040 on page 134)	1
N02	95-45		5000604	Trunnion lip seal (SB-2000-026A on page 135)	1
N03	95-45		378083 (9007210-0804)	Screw	4
N04	95-45		9004300-1460	O-ring	1
N40	95-45		4250027	Trunnion cover	1
N41	95-45		9004300-1460	O-ring	1
N42	95-45		378083 (9007210-0804)	Screw	4

Variable displacement pump

S40 MPV auxiliary mounting pad A-

Parts configuration



* Included in overhaul seal kit Q210

Variable displacement pump

Order code: A

Item	Date Begin	Date End	Part Number	Part Name	Qty. per Model/Kit
S10	95-45		4800156	Adapter flange, SAE A	1
S11	95-45		732982 (9007314-1009)	Screw, M10 x 40	2
S12	95-45		9009625-0154	Washer	2
S13	95-45		4350113	Coupling, 9-tooth spline	1
S14	95-45		4800482	A pad seal	1
S15	95-45		4460586	Cover plate	1
S16	95-45		9007200-3716	Screw	2
S18	14-21		9004101-1530	O-ring	1

Order code: B

S10	95-45		4800157	Adapter flange, SAE B	1
S11	95-45		9007210-1007	Screw, M10 x 30	4
S12	95-45		9009600-4487	Washer	4
S14	05-22		8801061	B pad seal	1
S14	95-45	05-21	9004100-1550	O-ring	1
S15	05-22		8801059	Cover plate	1
S15	95-45	05-21	4460370	Cover plate	1
S16	95-45		9007200-5022	Screw	2
S17	95-45		9004700-1222	Pin	1
S34	95-45		4350691	Coupling assembly, 13-tooth spline	1

Order code: C

S01	95-45		4800158	Gerotor cover	1
S02	95-45		9007210-1006	Screw, M10 x 25	4
S03	95-45		9009600-4487	Washer	4

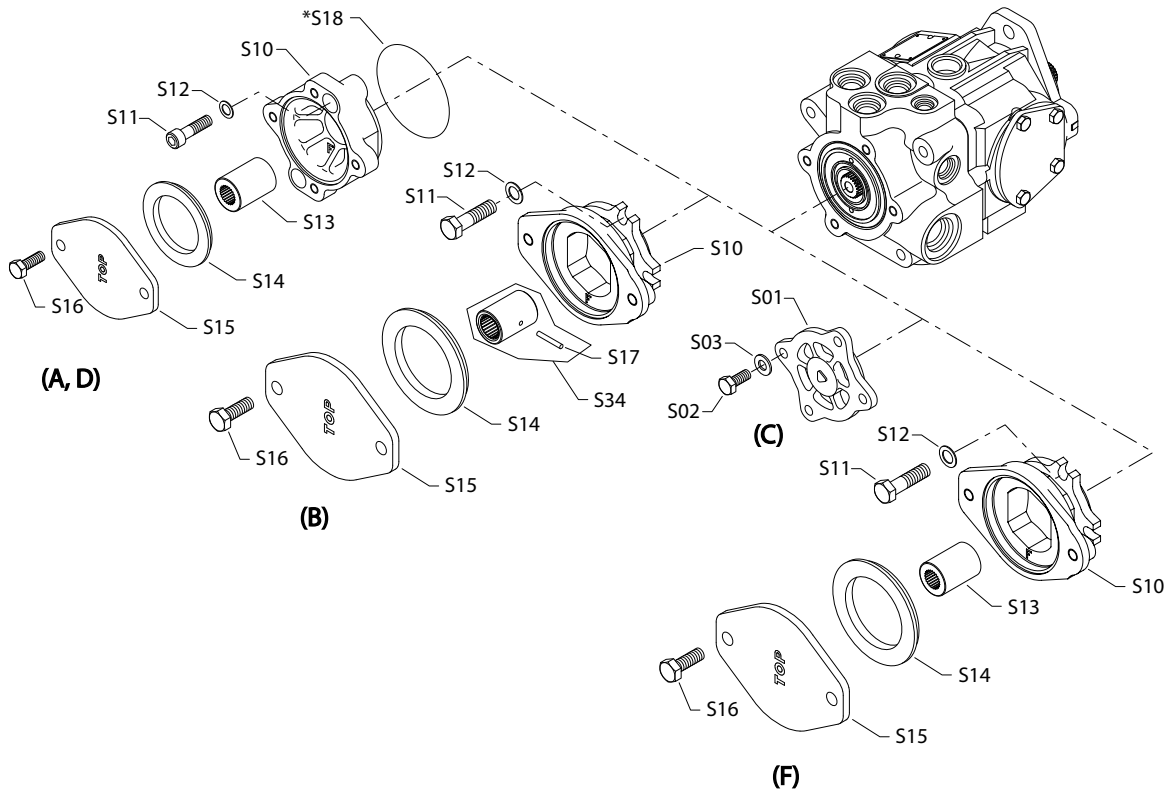
Order code: D

S10	95-45		4800182	Adapter flange, SAE A	1
S11	95-45		732982 (9007314-1009)	Screw, M10 x 40	2
S12	95-45		9009625-0154	Washer	2
S13	95-45		762534 (4350189)	Coupling, 11-tooth spline	1
S14	95-45		4800482	A pad seal	1
S15	95-45		4460586	Cover plate	1
S16	95-45		9007200-3716	Screw	2
S18	14-21		9004101-1530	O-ring	1

[Parts continue to the next 2 pages.](#)

Variable displacement pump

Parts configuration



* Included in overhaul seal kit Q210

Variable displacement pump

Order code: G

Item	Date Begin	Date End	Part Number	Part Name	Qty. per Model/Kit
S10	03-06		4800182	Adapter flange, SAE B	1
S11	03-06		732982 (9007314-1009)	Screw, M10 x 40	2
S12	03-06		9009625-0154	Washer	2
S13	03-06		762534 (4350189)	Coupling, 11-tooth spline	1
S18	03-06		9004101-1530	O-ring	1

Order code: H

S10	03-50		1712494-01	Adapter flange, SAE A	1
S11	03-50		732982 (9007314-1009)	Screw, M10 x 40	2
S12	03-50		9009625-0154	Washer	2
S13	03-50		4350113	Coupling, 11-tooth spline	1
S14	03-50		4800482	A pad seal	1
S15	03-50		4460586	Cover plate	1
S16	03-50		9007200-3716	Screw	2
S40	03-50		9004100-2360	O-ring	1

Variable displacement pump

S40 MPV seal kit

Item	Date Begin	Date End	Part Number	Part Name	Qty. per Model/Kit
Q210	95-45		11181820	Overhaul seal kit, MPV035/44D	1
B02	95-45		5000689	Lip seal (SB-2003-018 on page 137)	1
B37	95-45		4350145	End cap gasket	1
G04A	98-07		673533	O-ring, .103 x 3.237, nitrile, 70D	1
G06	95-45		5000352	O-ring, .139 x 1.609, nitrile, 90D	1
G07	95-45		5000353	O-ring, .139 x 3.234, nitrile, 90D	1
H01A	95-45		001149 (9004201-6200)	O-ring, .097 x .755, nitrile, 90D	1
M022	95-45		001131 (9004201-5000)	O-ring, .087 x .644, nitrile, 90D	2
M023	95-45		9004100-2110	O-ring, .139 x .796, nitrile, 70D	2
N02	95-45		5000604	Trunnion lip seal (SB-2000-026A on page 135)	1
N04	95-45		9004300-1460	O-ring, .099 x 2.612, nitrile, 70D	1
N41	95-45		9004300-1460	O-ring, .099 x 2.612, nitrile, 70D	1
S18	95-45		9004101-1530	O-ring, .103 x 3.487, nitrile, 90D	1

Variable displacement pump

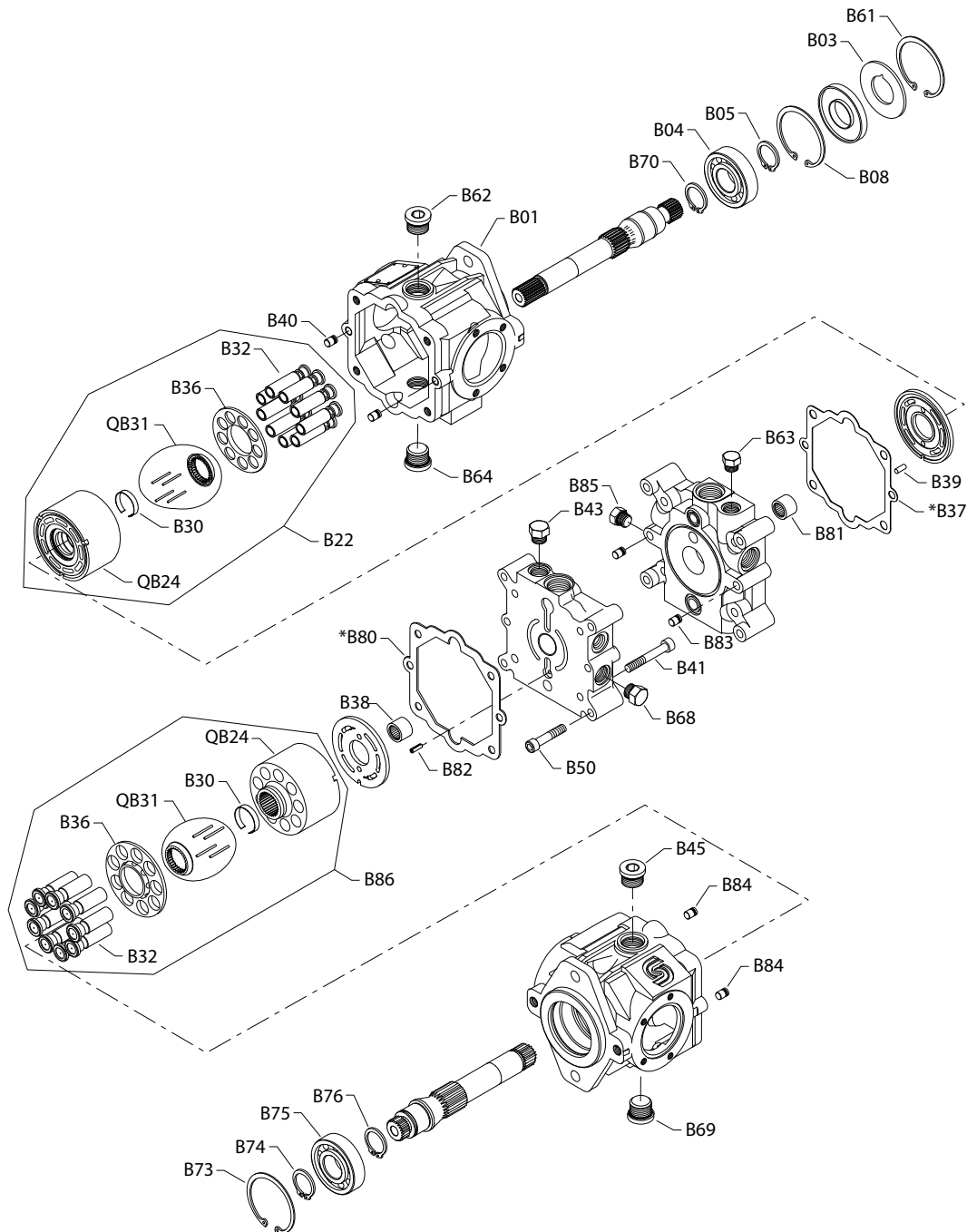
Notes

Variable displacement tandem pump

Common parts and special hardware

S40 MPT common parts

Parts configuration



* Included in overhaul seal kit Q210

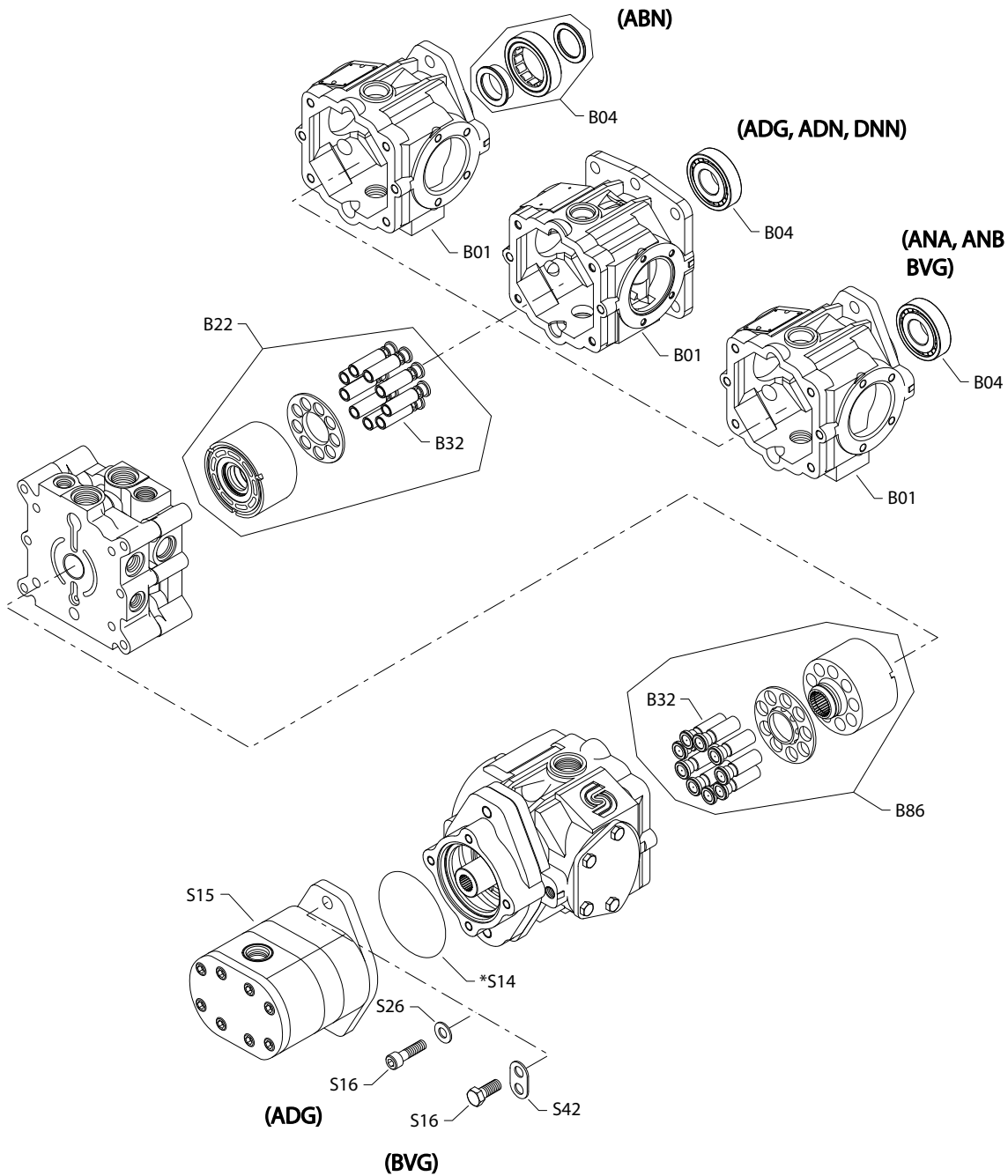
Variable displacement tandem pump

Item	Date Begin	Date End	Part Number	Part Name	Qty. per Model/Kit
B03	95-45		11083729	Seal support washer	1
B05	95-45		9006300-0137	Retaining ring	1
B08	95-45		9006200-0281	Retaining ring	1
B30	95-45		4350048	Holddown pin retainer	2
B36	95-45		4350185	Slipper retainer	2
B37	95-45		4350145	End cap gasket	1
B38	95-45		510993 (9001465-0015)	Needle bearing	1
B39	95-45		015701 (9004700-1910)	Slotted pin	1
B40	95-45		5000529	Dowel pin (SB-1998-092 on page 132)	2
B41	95-45		654053 (9007314-1012)	Screw	4
B43	95-45		046151 (9005100-5600)	Plug assembly	1
B45	95-45		664524 (9005110-9000)	Plug assembly	1
B50	11-14		5000122	Screw, M10 x 70	4
B50	95-45	11-13	9007314-1014	Screw, M10 x 65	4
B61	95-45		9006200-0281	Retaining ring	1
B62	95-45		664524 (9005110-9000)	Plug assembly	1
B63	95-45		046151 (9005100-5600)	Plug assembly	1
B64	95-45		664524 (9005110-9000)	Plug assembly	1
B68	95-45		046151 (9005100-5600)	Plug assembly	1
B69	95-45		664524 (9005110-9000)	Plug assembly	1
B70	95-45		615245 (9006300-0137)	Retaining ring	1
B73	95-45		9006200-0281	Retaining ring	1
B74	95-45		615245 (9006300-0137)	Retaining ring	1
B75	95-45		5000731	Ball bearing	1
B76	95-45		615245 (9006300-0137)	Retaining ring	1
B80	95-45		4350145	End cap gasket	1
B81	95-45		510993 (9001465-0015)	Needle bearing	1
B82	95-45		015701 (9004700-1910)	Slotted pin	1
B83	95-45		5000529	Dowel pin (SB-1998-092 on page 132)	2
B84	95-45		5000529	Dowel pin (SB-1998-092 on page 132)	2
B85	95-45		046151 (9005100-5600)	Plug assembly	1
QB24	95-45		11131906	Cylinder block assembly	1
QB31	17-12		11178525	SVC kit- ball guide and pins (SB-2017-012 on page 142)	2

Variable displacement tandem pump

MPT044D special hardware ABN-DNN

Parts configuration



Generic gear pump and orientation shown.

* Included in overhaul seal kit Q210

Variable displacement tandem pump

Order code: ABN

Item	Date Begin	Date End	Part Number	Part Name	Qty. per Model/Kit
B01	07-09		4350350	Housing, front pump	1
B04	07-09		357616	Roller bearing	1
B22	07-09		4440114	Cylinder block kit	1
B32	07-09		4440113	Piston assembly, welded	18
B86	07-09		4440114	Cylinder block kit	1

Order code: ADG

B01	07-09		4350824	Housing, front pump, 4-bolt mount	1
B04	07-09		5000731	Ball bearing	1
B22	07-09		4440120	Cylinder block kit	1
B32	07-09		4440119	Piston assembly, semi-solid	18
B86	07-09		4440120	Cylinder block kit	1
S14	07-09		5000373	O-ring	1
S15	07-09		111.20.138.00	Gear pump	1
S16	07-09		9007300-3722	Screw	2
S26	07-09		002329 (9009610-4069)	Washer	2

Order code: ADN

B01	15-16		4350824	Housing, front pump, 4-bolt mount	1
B04	15-16		5000731	Ball bearing	1
B22	15-16		4440120	Cylinder block kit	1
B32	15-16		4440119	Piston assembly, semi-solid	18
B86	15-16		4440120	Cylinder block kit	1

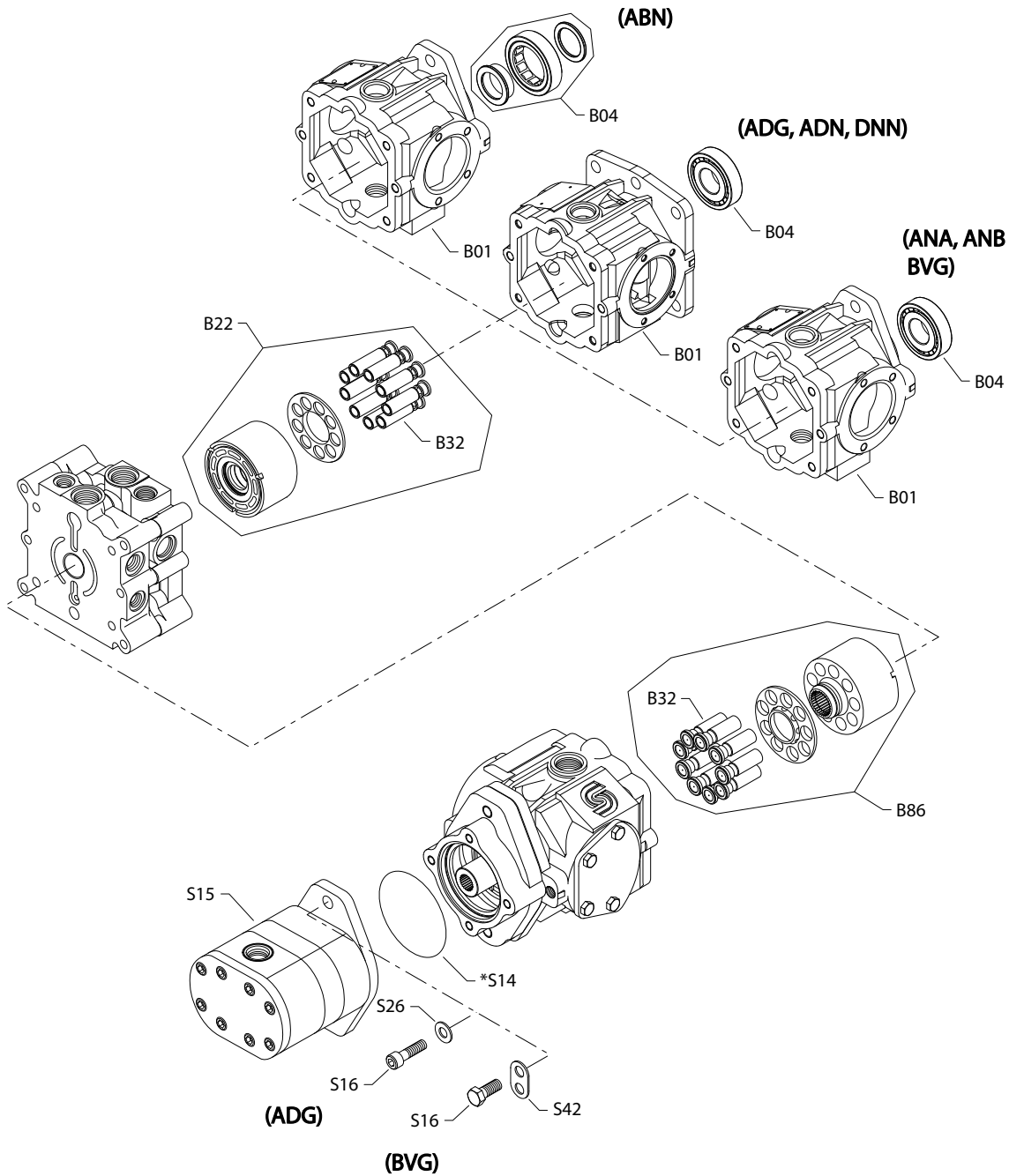
Order code: ANA

B01	99-22		4350350	Housing, front pump	1
B04	99-22		5000731	Ball bearing	1
B22	99-22		4440114	Cylinder block kit	1
B32	99-22		4440113	Piston assembly, welded	18
B86	99-22		4440114	Cylinder block kit	1

[Parts continue to the next 2 pages.](#)

Variable displacement tandem pump

Parts configuration



Generic gear pump and orientation shown.

* Included in overhaul seal kit Q210

Variable displacement tandem pump

Order code: ANB

Item	Date Begin	Date End	Part Number	Part Name	Qty. per Model/Kit
B01	00-10		4350350	Housing, front pump	1
B04	00-10		5000731	Ball bearing	1
B22	00-10		4440120	Cylinder block kit	1
B32	00-10		4440119	Piston assembly, semi-solid	18
B86	00-10		4440120	Cylinder block kit	1

Order code: BVG

B01	06-14		4350350	Housing, front pump	1
B04	06-14		5000731	Ball bearing	1
B22	06-14		4440114	Cylinder block kit	1
B32	06-14		4440113	Piston assembly, welded	18
B86	06-14		4440114	Cylinder block kit	1
S14	06-14		9004100-1550	O-ring	1
S15	06-14		163D1486	Gear pump	1
S16	06-14		9007200-5022	Screw	2
S42	06-14		9801000	Lifting bracket	2

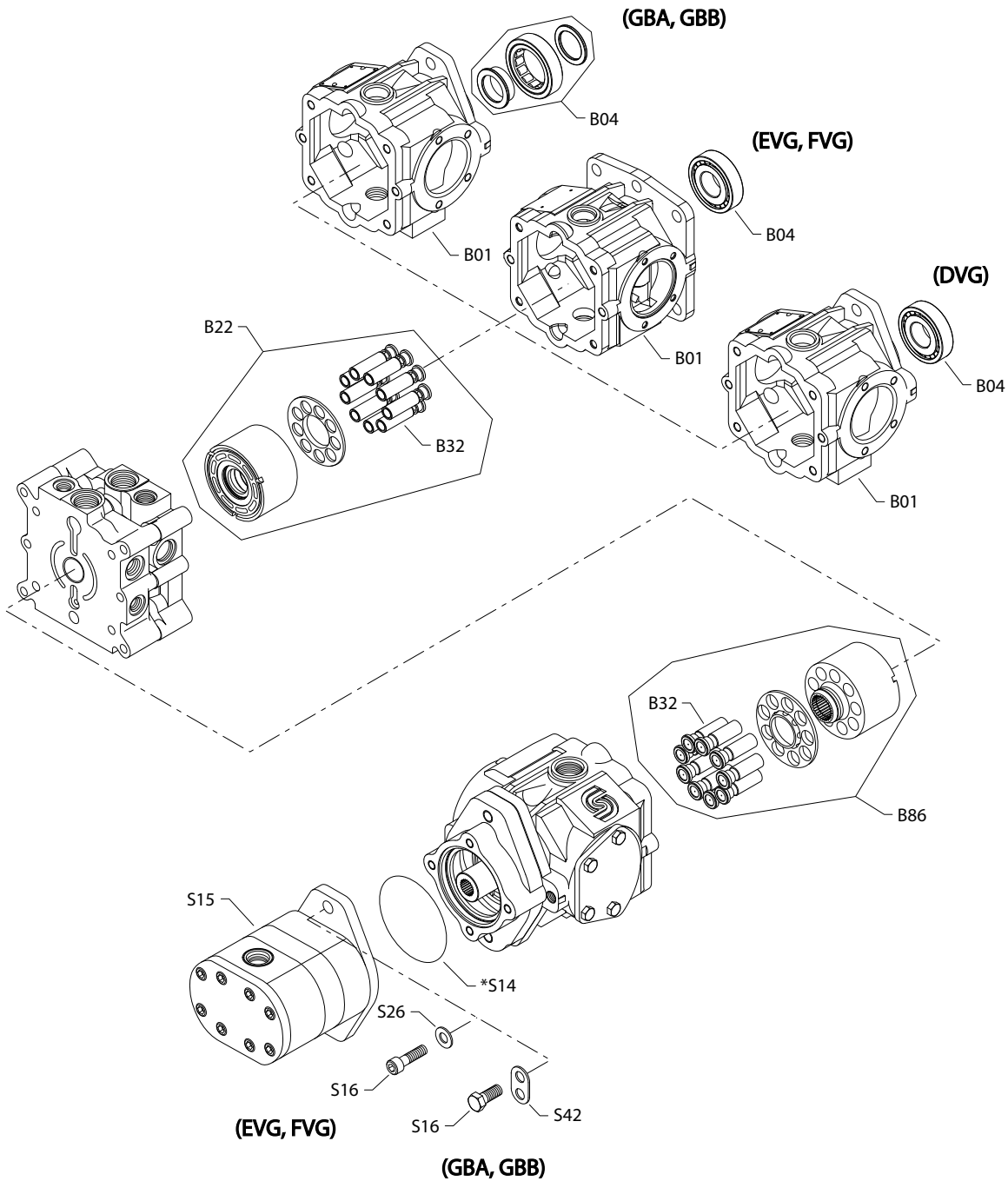
Order code: DNN

B01	07-06		4350824	Housing, front pump, 4-bolt mount	1
B04	07-06		5000731	Ball bearing	1
B22	07-06		4440004	Cylinder block kit	1
B32	07-06		4440003	Piston assembly	18
B86	07-06		4440004	Cylinder block kit	1

Variable displacement tandem pump

MPT044D special hardware DVG-GBB

Parts configuration



* Included in overhaul seal kit Q210

Variable displacement tandem pump

Order code: DVG

Item	Date Begin	Date End	Part Number	Part Name	Qty. per Model/Kit
B01	06-10		4350350	Housing, front pump	1
B04	06-10		5000731	Ball bearing	1
B22	06-10		4440114	Cylinder block kit	1
B32	06-10		4440113	Piston assembly, welded	18
B86	06-10		4440114	Cylinder block kit	1
S14	06-10		9004100-1550	O-ring	1
S15	06-10		163D1485	Gear pump,	1
S16	06-10		9007200-5022	Screw	2
S42	06-10		9801000	Lifting bracket	2

Order code: EVG

B01	06-14		4350824	Housing, front pump, 4-bolt mount	1
B04	06-14		5000731	Ball bearing	1
B22	06-14		4440004	Cylinder block kit	1
B32	06-14		4440003	Piston assembly	18
B86	06-14		4440004	Cylinder block kit	1
S14	06-14		5000373	O-ring	1
S15	06-14		111.20.134.00	Gear pump	1
S16	06-14		9007300-3722	Screw	2
S26	06-14		002329 (9009610-4069)	Washer	2

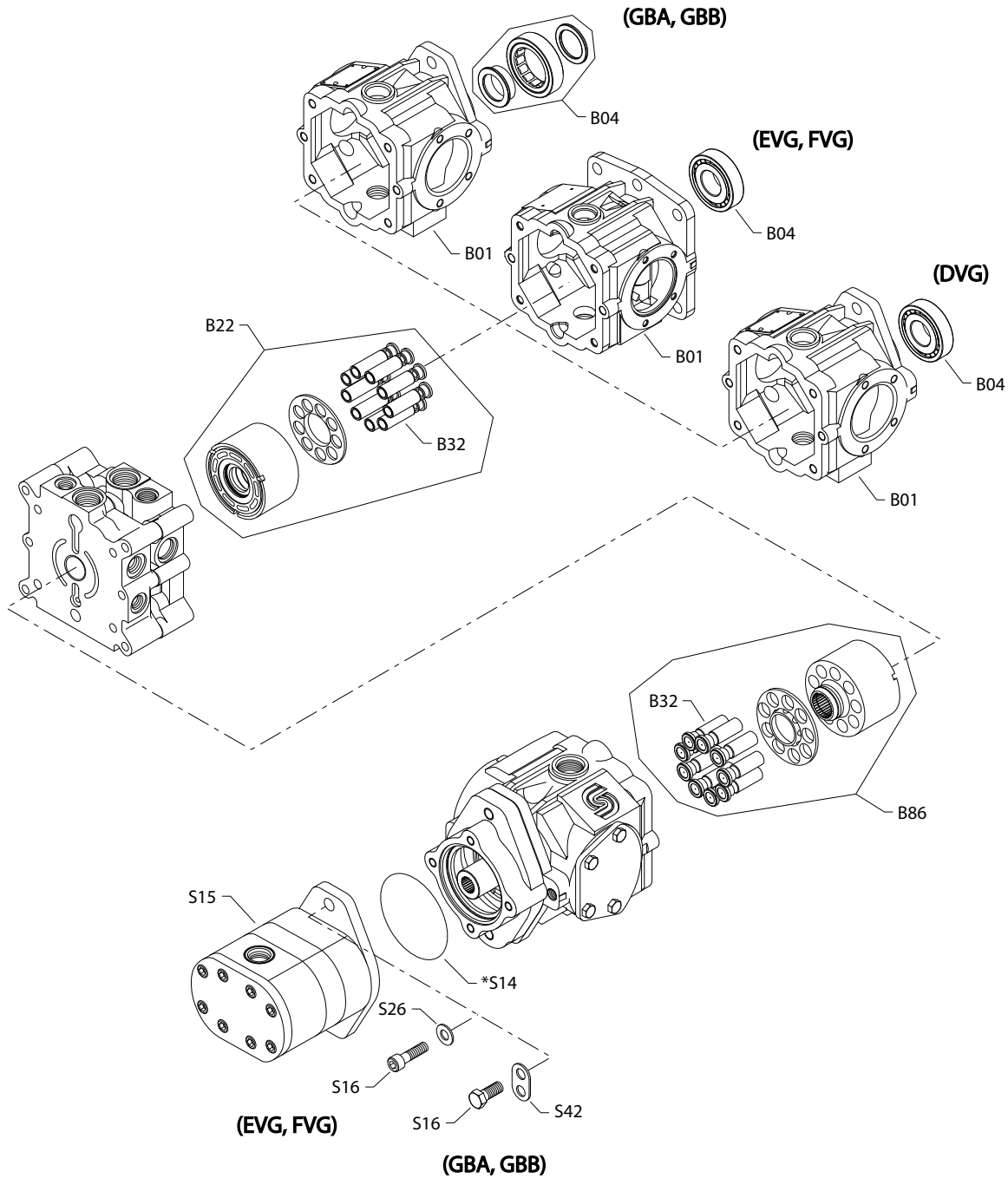
Order code: FVG

B01	06-14		4350824	Housing, front pump, 4-bolt mount	1
B04	06-14		5000731	Ball bearing	1
B22	06-14		4440004	Cylinder block kit	1
B32	06-14		4440003	Piston assembly	18
B86	06-14		4440004	Cylinder block kit	1
S14	06-14		5000373	O-ring	1
S15	06-14		111.20.138.00	Gear pump	1
S16	06-14		9007300-3722	Screw	2
S26	06-14		002329 (9009610-4069)	Washer	2

[Parts continue to the next 2 pages.](#)

Variable displacement tandem pump

Parts configuration



* Included in overhaul seal kit Q210

Variable displacement tandem pump

Order code: GBA

Item	Date Begin	Date End	Part Number	Part Name	Qty. per Model/Kit
B01	07-15		4350350	Housing, front pump	1
B04	07-15		357616	Roller bearing	1
B22	07-15		4440114	Cylinder block kit	1
B32	07-15		4440113	Piston assembly, welded	18
B86	07-15		4440114	Cylinder block kit	1
S14	07-15		9004100-1550	O-ring	1
S15	07-15		163D71018	Gear pump	1
S16	07-15		9007200-5022	Screw	2
S42	07-15		9801000	Lifting bracket	2

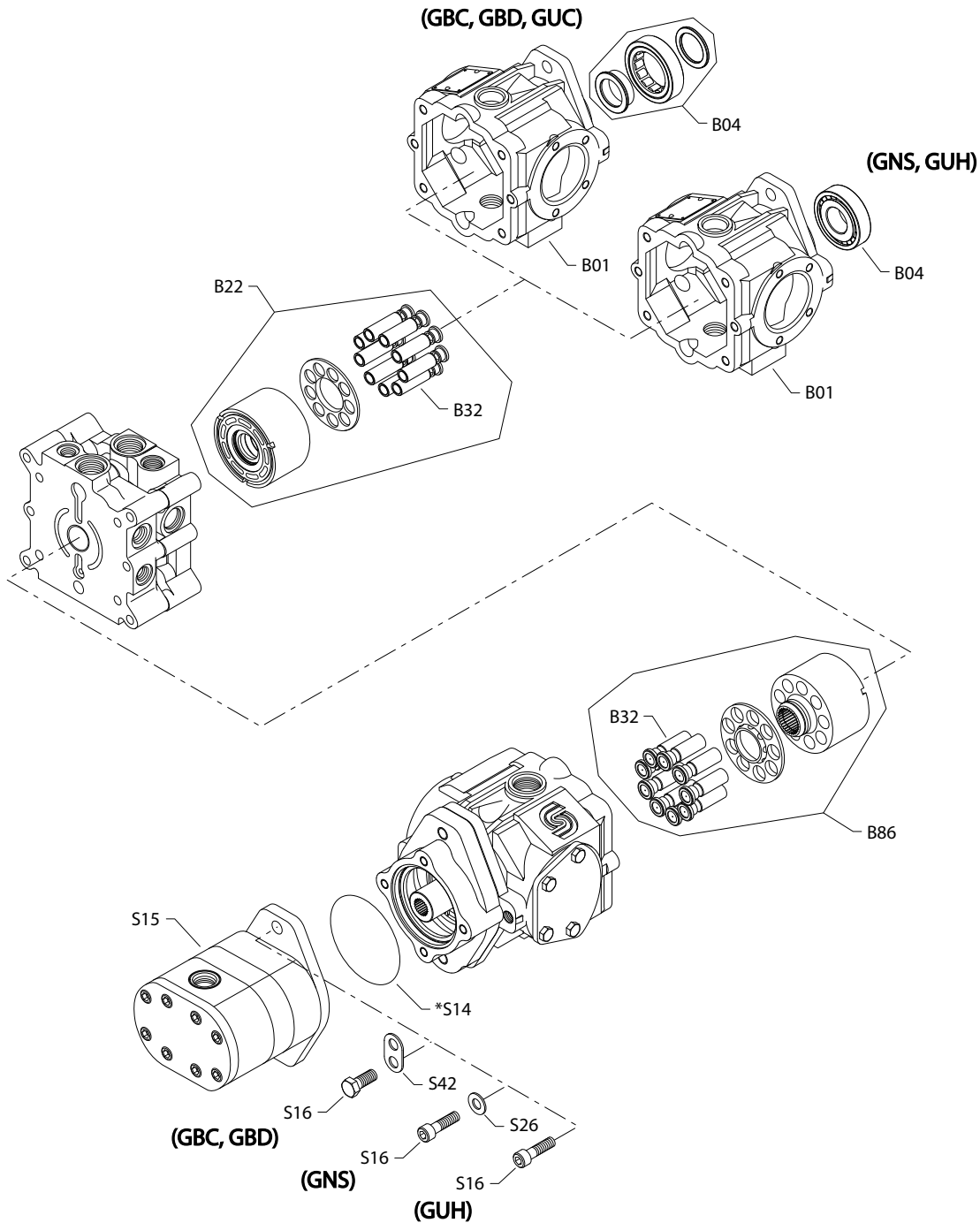
Order code: GBB

B01	07-15		4350350	Housing, front pump	1
B04	07-15		357616	Roller bearing	1
B22	07-15		4440114	Cylinder block kit	1
B32	07-15		4440113	Piston assembly, welded	18
B86	07-15		4440114	Cylinder block kit	1
S14	07-15		9004100-1550	O-ring	1
S15	07-15		80003921	Gear pump	1
S16	07-15		9007200-5022	Screw	2
S42	07-15		9801000	Lifting bracket	2

Variable displacement tandem pump

MPT044D special hardware GBC-GUH

Parts configuration



Generic gear pump and orientation shown.

* Included in overhaul seal kit Q210

Variable displacement tandem pump

Order code: GBC

Item	Date Begin	Date End	Part Number	Part Name	Qty. per Model/Kit
B01	07-17		4350350	Housing, front pump	1
B04	07-17		357616	Roller bearing	1
B22	07-17		4440114	Cylinder block kit	1
B32	07-17		4440113	Piston assembly, welded	18
B86	07-17		4440114	Cylinder block kit	1
S14	07-17		9004100-1550	O-ring	1
S15	07-17		163D71022	Gear pump	1
S16	07-17		9007200-5022	Screw	2
S42	07-17		9801000	Lifting bracket	2

Order code: GBD

B01	07-17		4350350	Housing, front pump	1
B04	07-17		357616	Roller bearing	1
B22	07-17		4440114	Cylinder block kit	1
B32	07-17		4440113	Piston assembly, welded	18
B86	07-17		4440114	Cylinder block kit	1
S14	07-17		9004100-1550	O-ring	1
S15	07-17		163D71023	Gear pump	1
S16	07-17		9007200-5022	Screw	2
S42	07-17		9801000	Lifting bracket	2

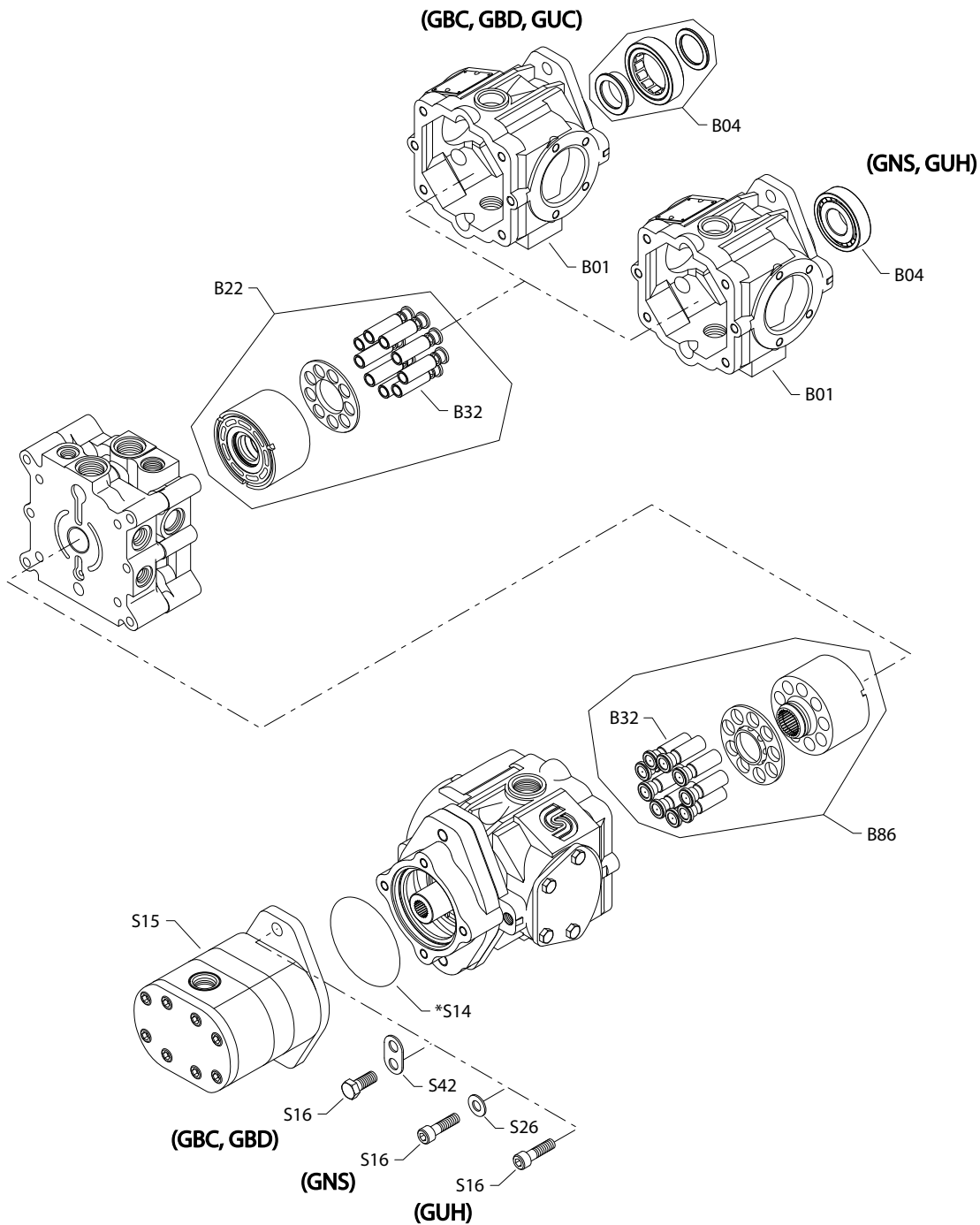
Order code: GNS

B01	01-09		4350350	Housing, front pump	1
B04	01-09		5000731	Ball bearing	1
B22	01-09		4440004	Cylinder block kit	1
B32	01-09		4440003	Piston assembly	18
B86	01-09		4440004	Cylinder block kit	1
S14	01-09		5000373	O-ring	1
S15	01-09		111.20.347.00	Gear pump	1
S16	01-09		9007300-3722	Screw	2
S26	01-09		002329 (9009610-4069)	Washer	2

[Parts continue to the next 2 pages.](#)

Variable displacement tandem pump

Parts configuration



Generic gear pump and orientation shown.

* Included in overhaul seal kit Q210

Variable displacement tandem pump

Order code: GUC

Item	Date Begin	Date End	Part Number	Part Name	Qty. per Model/Kit
B01	03-04		4350350	Housing, front pump	1
B04	03-04		357616	Roller bearing	1
B22	03-04		4440004	Cylinder block kit	1
B32	03-04		4440003	Piston assembly	18
B86	03-04		4440004	Cylinder block kit	1

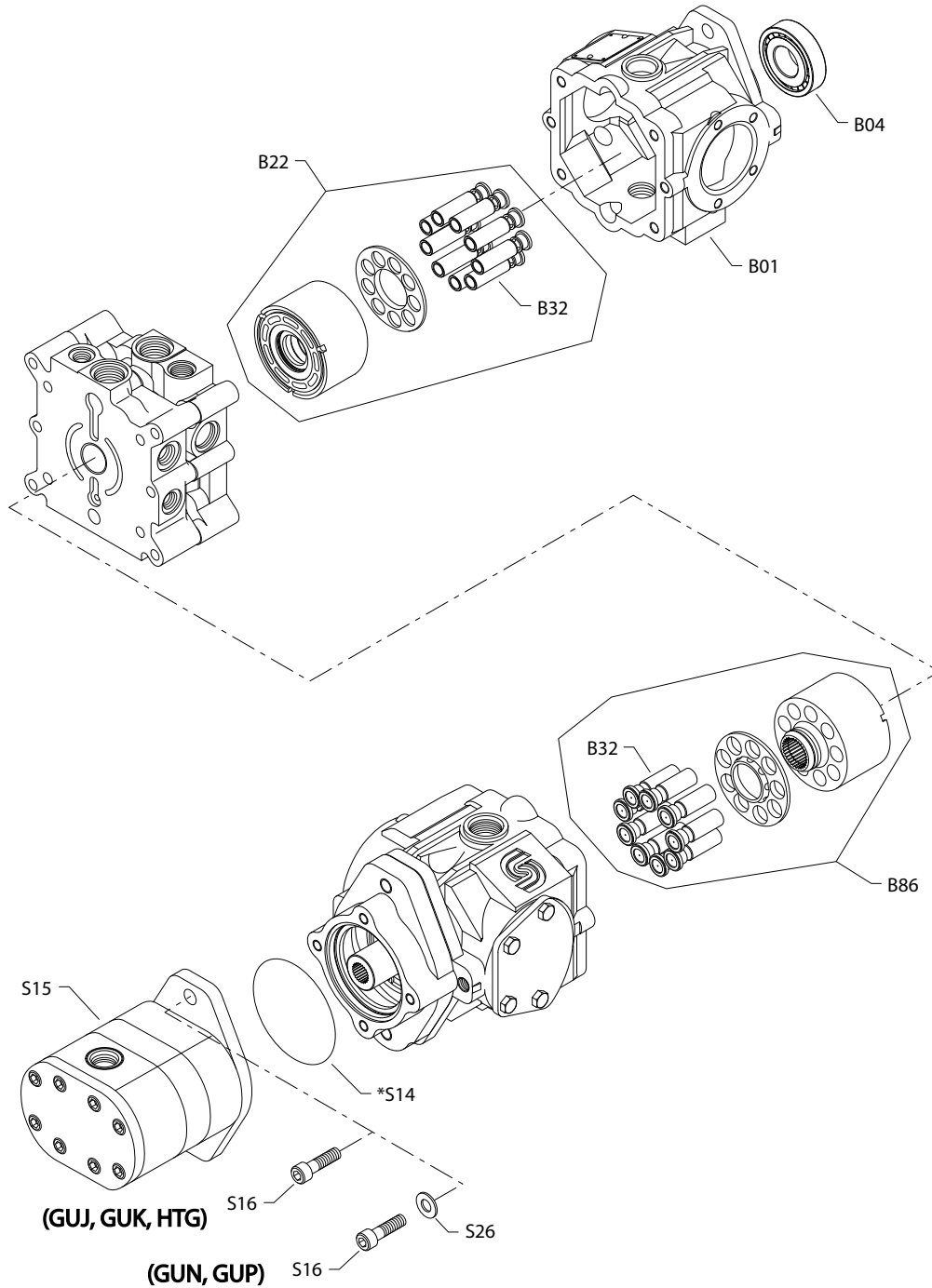
Order code: GUH

B01	03-21		4350350	Housing, front pump	1
B04	03-21		5000731	Ball bearing	1
B22	03-21		4440004	Cylinder block kit	1
B32	03-21		4440003	Piston assembly	18
B86	03-21		4440004	Cylinder block kit	1
S14	03-21		5000373	O-ring	1
S15	03-21		163D70584	Gear pump	1
S16	03-21		9007300-3716	Screw	2

Variable displacement tandem pump

MPT044D special hardware GUJ-HTG

Parts configuration



Generic gear pump and orientation shown.

* Included in overhaul seal kit Q210

Variable displacement tandem pump

Order code: GJJ

Item	Date Begin	Date End	Part Number	Part Name	Qty. per Model/Kit
B01	03-21		4350350	Housing, front pump	1
B04	03-21		5000731	Ball bearing	1
B22	03-21		4440004	Cylinder block kit	1
B32	03-21		4440003	Piston assembly	18
B86	03-21		4440004	Cylinder block kit	1
S14	03-21		5000373	O-ring	1
S15	03-21		163D70584	Gear pump	1
S16	03-21		9007300-3716	Screw	2

Order code: GUK

B01	03-21		4350350	Housing, front pump	1
B04	03-21		5000731	Ball bearing	1
B22	03-21		4440004	Cylinder block kit	1
B32	03-21		4440003	Piston assembly	18
B86	03-21		4440004	Cylinder block kit	1
S14	03-21		5000373	O-ring	1
S15	03-21		163D70525	Gear pump	1
S16	03-21		9007300-3716	Screw	2

Order code: GUN

B01	03-45		4350350	Housing, front pump	1
B04	03-45		5000731	Ball bearing	1
B22	03-45		4440004	Cylinder block kit	1
B32	03-45		4440003	Piston assembly	18
B86	03-45		4440004	Cylinder block kit	1
S14	03-45		5000373	O-ring	1
S15	03-45		181.20.C54.00	Gear pump	1
S16	03-45		9007300-3722	Screw	2
S26	03-45		002329 (9009610-4069)	Washer	2

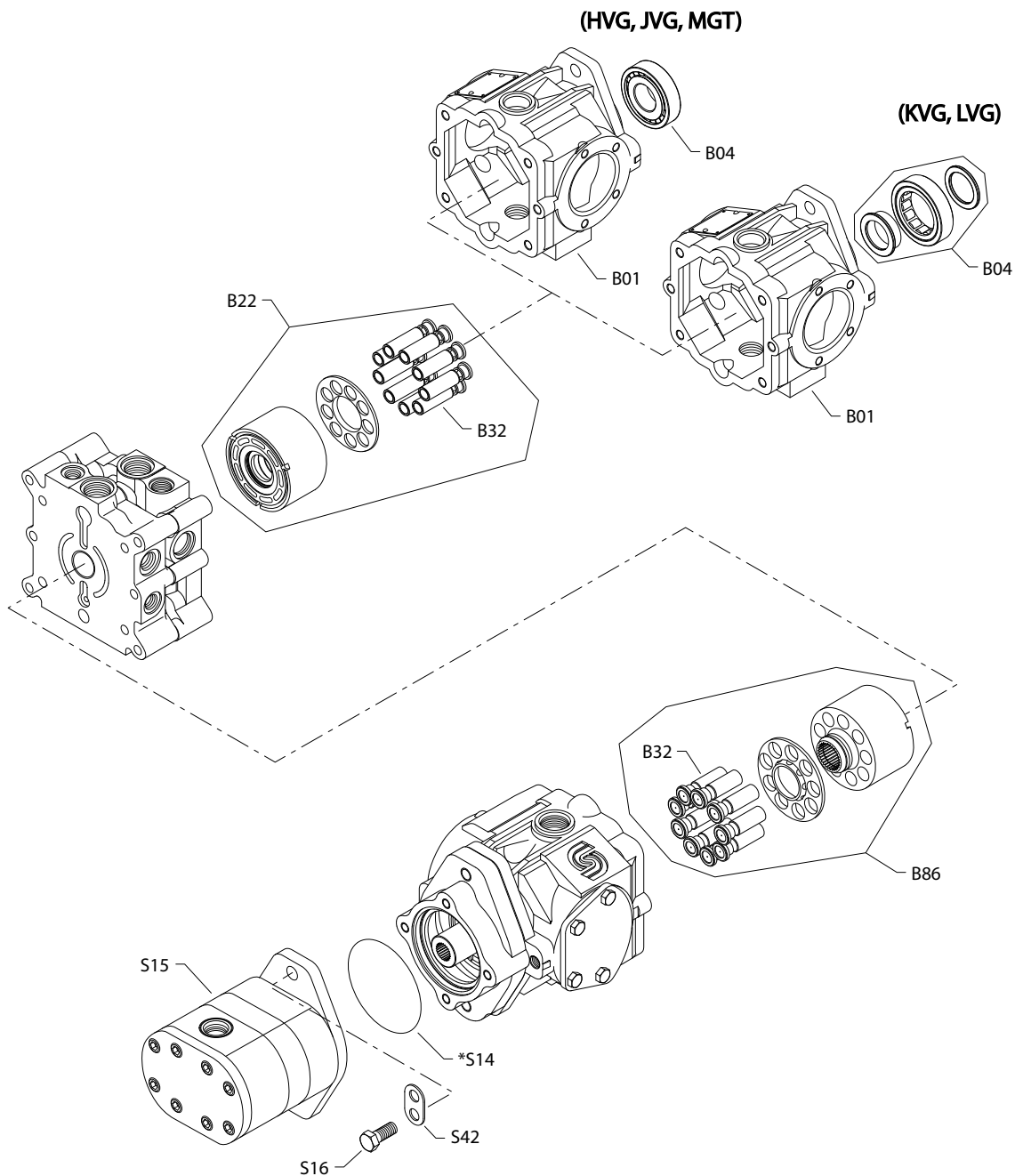
Order code: GUP

B01	03-47		4350350	Housing, front pump	1
B04	03-47		5000731	Ball bearing	1
B22	03-47		4440004	Cylinder block kit	1
B32	03-47		4440003	Piston assembly	18
B86	03-47		4440004	Cylinder block kit	1
S14	03-47		5000373	O-ring	1
S15	03-47		11131032	Gear pump	1
S16	03-47		9007300-3722	Screw	2
S26	03-47		002329 (9009610-4069)	Washer	2

Variable displacement tandem pump

MPT044D special hardware HVG-MGT

Parts configuration



Generic gear pump and orientation shown

* Included in overhaul seal kit Q210

Variable displacement tandem pump

Order code: HVG

Item	Date Begin	Date End	Part Number	Part Name	Qty. per Model/Kit
B01	06-14		4350350	Housing, front pump	1
B04	06-14		5000731	Ball bearing	1
B22	06-14		4440004	Cylinder block kit	1
B32	06-14		4440003	Piston assembly	18
B86	06-14		4440004	Cylinder block kit	1
S14	06-14		9004100-1550	O-ring	1
S15	06-14		163D71020	Gear pump	1
S16	06-14		9007200-5022	Screw	2
S42	06-14		9801000	Lifting bracket	2

Order code: JVG

B01	06-14		4350350	Housing, front pump	1
B04	06-14		5000731	Ball bearing	1
B22	06-14		4440004	Cylinder block kit	1
B32	06-14		4440003	Piston assembly	18
B86	06-14		4440004	Cylinder block kit	1
S14	06-14		9004100-1550	O-ring	1
S15	06-14		163D72008	Gear pump	1
S16	06-14		9007200-5022	Screw	2
S42	06-14		9801000	Lifting bracket	2

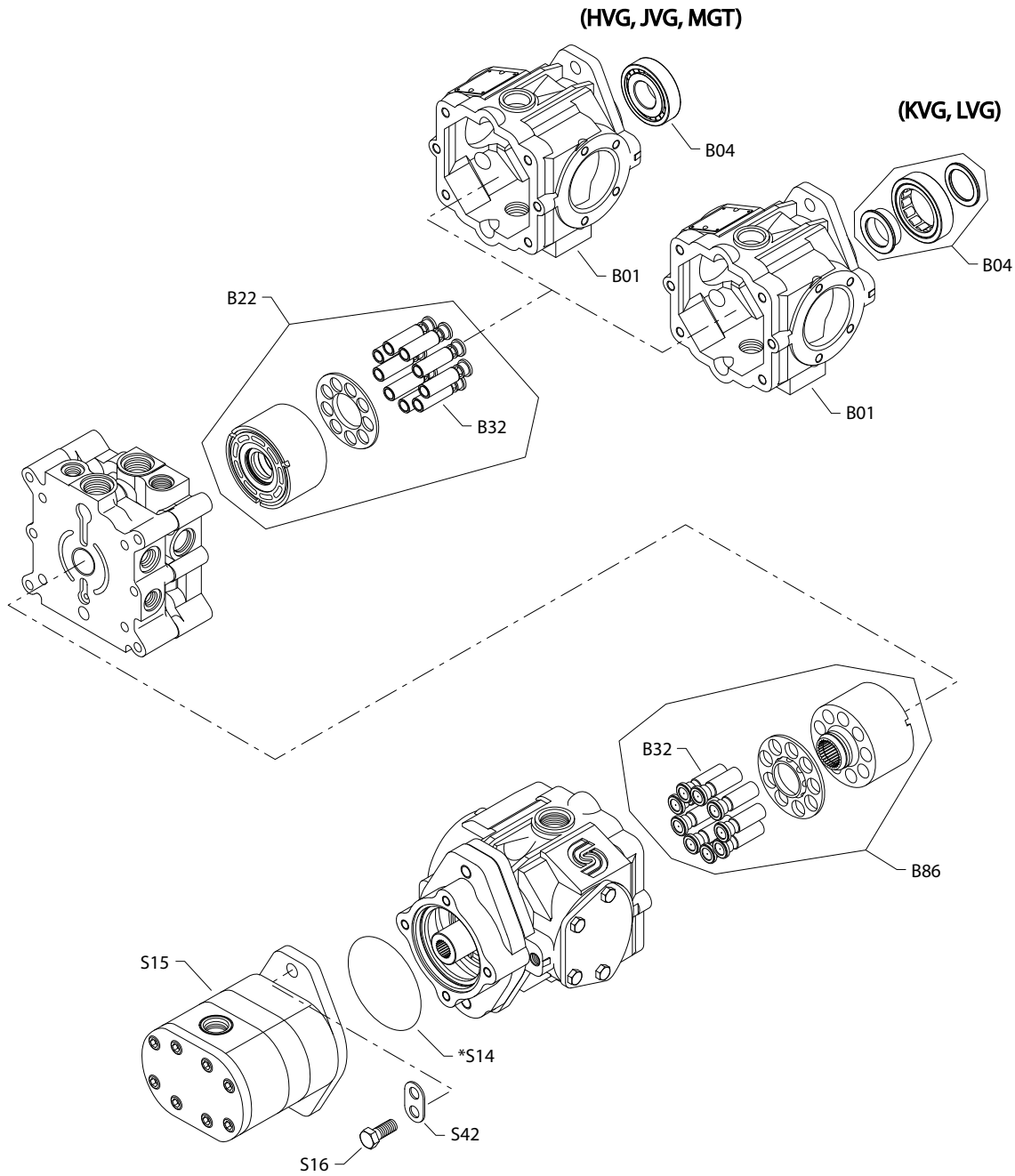
Order code: KVG

B01	06-14		4350350	Housing, front pump	1
B04	06-14		357616	Roller bearing	1
B22	06-14		4440114	Cylinder block kit	1
B32	06-14		4440113	Piston assembly, welded	18
B86	06-14		4440114	Cylinder block kit	1
S14	06-14		9004100-1550	O-ring	1
S15	06-14		163D71022	Gear pump	1
S16	06-14		9007200-5022	Screw	2
S42	06-14		9801000	Lifting bracket	2

[Parts continue to the next 2 pages.](#)

Variable displacement tandem pump

Parts configuration



Generic gear pump and orientation shown

* Included in overhaul seal kit Q210

Variable displacement tandem pump

Order code: LVG

Item	Date Begin	Date End	Part Number	Part Name	Qty. per Model/Kit
B01	06-14		4350350	Housing, front pump	1
B04	06-14		357616	Roller bearing	1
B22	06-14		4440114	Cylinder block kit	1
B32	06-14		4440113	Piston assembly, welded	18
B86	06-14		4440114	Cylinder block kit	1
S14	06-14		9004100-1550	O-ring	1
S15	06-14		163D72023	Gear pump	1
S16	06-14		9007200-5022	Screw	2
S42	06-14		9801000	Lifting bracket	2

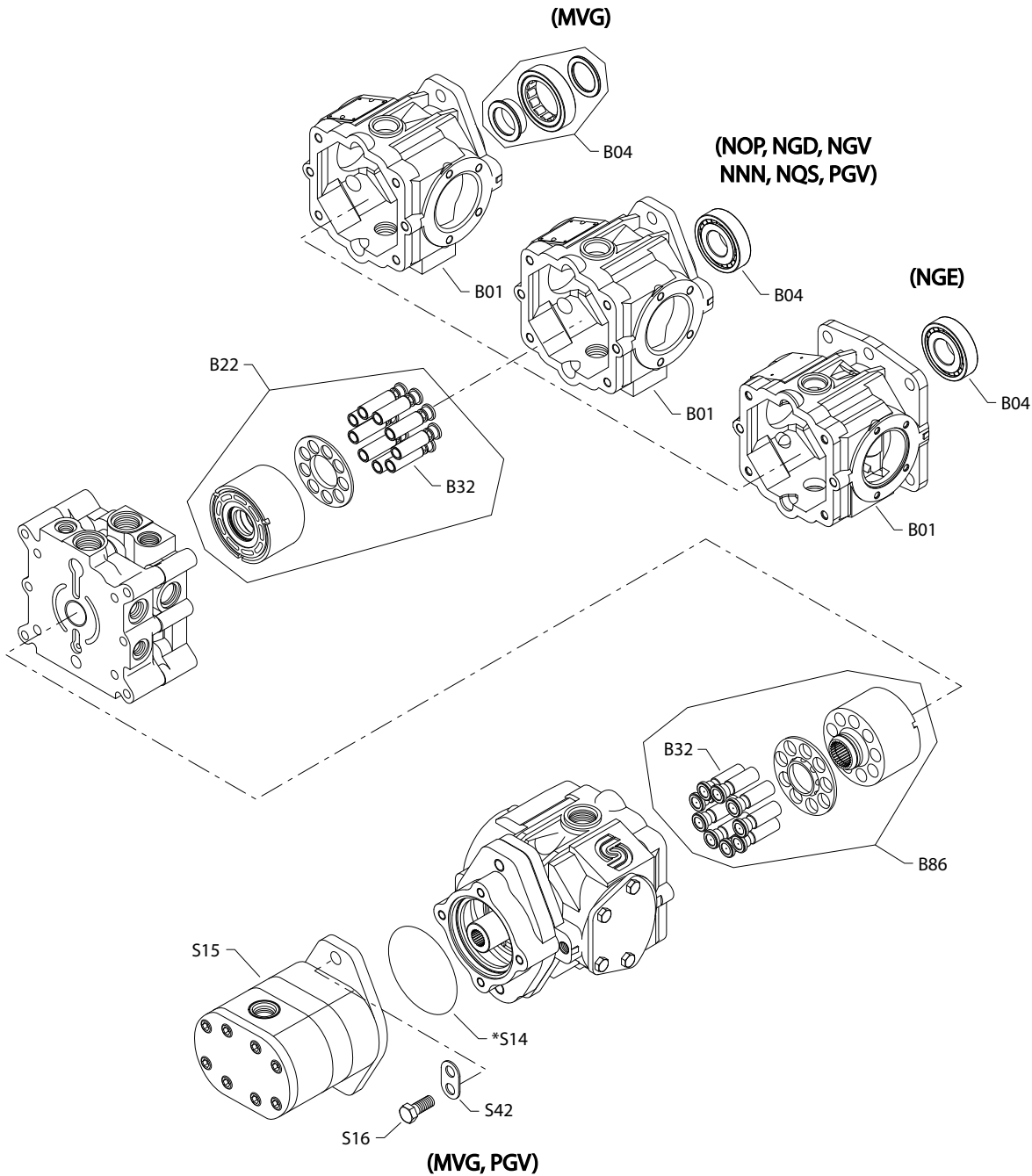
Order code: MGT

B01	06-10		4350350	Housing, front pump	1
B04	06-10		5000731	Ball bearing	1
B22	06-10		4440114	Cylinder block kit	1
B32	06-10		4440113	Piston assembly, welded	18
B86	06-10		4440114	Cylinder block kit	1
S14	06-10		5000373	O-ring	1
S15	06-10		163D1483	Gear pump	1
S16	06-10		9007300-3716	Screw	2

Variable displacement tandem pump

MPT044D special hardware MVG-PGV

Parts configuration



Generic gear pump and orientation shown

* Included in overhaul seal kit Q210

Variable displacement tandem pump

Order code: *MVG*

Item	Date Begin	Date End	Part Number	Part Name	Qty. per Model/Kit
B01	06-14		4350350	Housing, front pump	1
B04	06-14		357616	Roller bearing	1
B22	06-14		4440114	Cylinder block kit	1
B32	06-14		4440113	Piston assembly, welded	18
B86	06-14		4440114	Cylinder block kit	1
S14	06-14		9004100-1550	O-ring	1
S15	06-14		163D71018	Gear pump	1
S16	06-14		9007200-5022	Screw	2
S42	06-14		9801000	Lifting bracket	2

Order code: *NOP and NGD*

B01	06-14		4350350	Housing, front pump	1
B04	06-14		5000731	Ball bearing	1
B22	06-14		4440004	Cylinder block kit	1
B32	06-14		4440003	Piston assembly	18
B86	06-14		4440004	Cylinder block kit	1

Order code: *NGE*

B01	06-14		4350824	Housing, front pump, 4-bolt mount	1
B04	06-14		5000731	Ball bearing	1
B22	06-14		4440004	Cylinder block kit	1
B32	06-14		4440003	Piston assembly	18
B86	06-14		4440004	Cylinder block kit	1

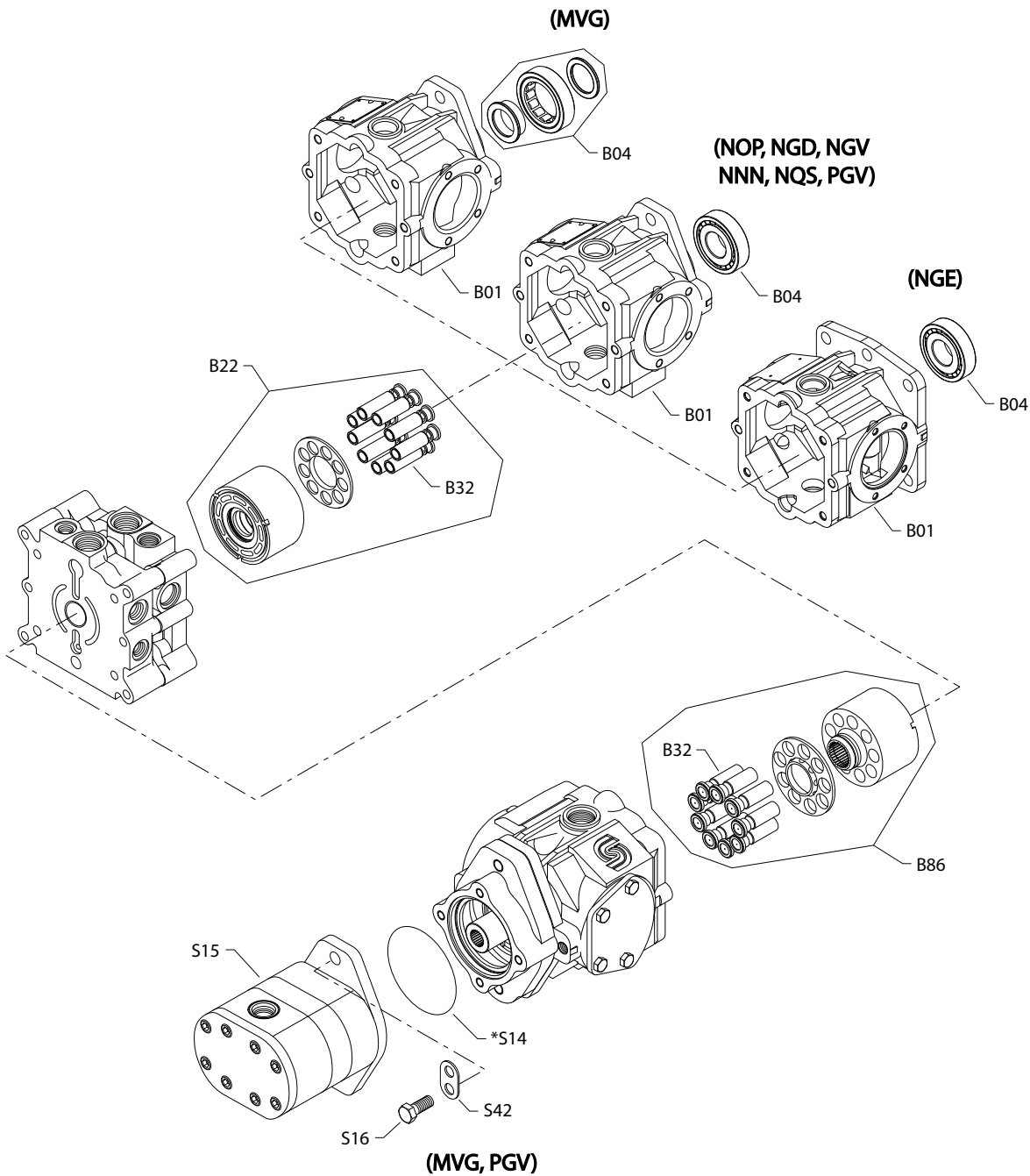
Order code: *NGV and NNN*

B01	06-14		4350350	Housing, front pump	1
B04	06-14		5000731	Ball bearing	1
B22	06-14		4440004	Cylinder block kit	1
B32	06-14		4440003	Piston assembly	18
B86	06-14		4440004	Cylinder block kit	1

[Parts continue to the next 2 pages.](#)

Variable displacement tandem pump

Parts configuration



Generic gear pump and orientation shown

* Included in overhaul seal kit Q210

Variable displacement tandem pump

Order code: NQS

Item	Date Begin	Date End	Part Number	Part Name	Qty. per Model/Kit
B01	14-38		4350350	Housing, front pump	1
B04	14-38		5000731	Ball bearing	1
B22	14-38		4440114	Cylinder block kit	1
B32	14-38		4440113	Piston assembly, welded	18
B86	14-38		4440114	Cylinder block kit	1

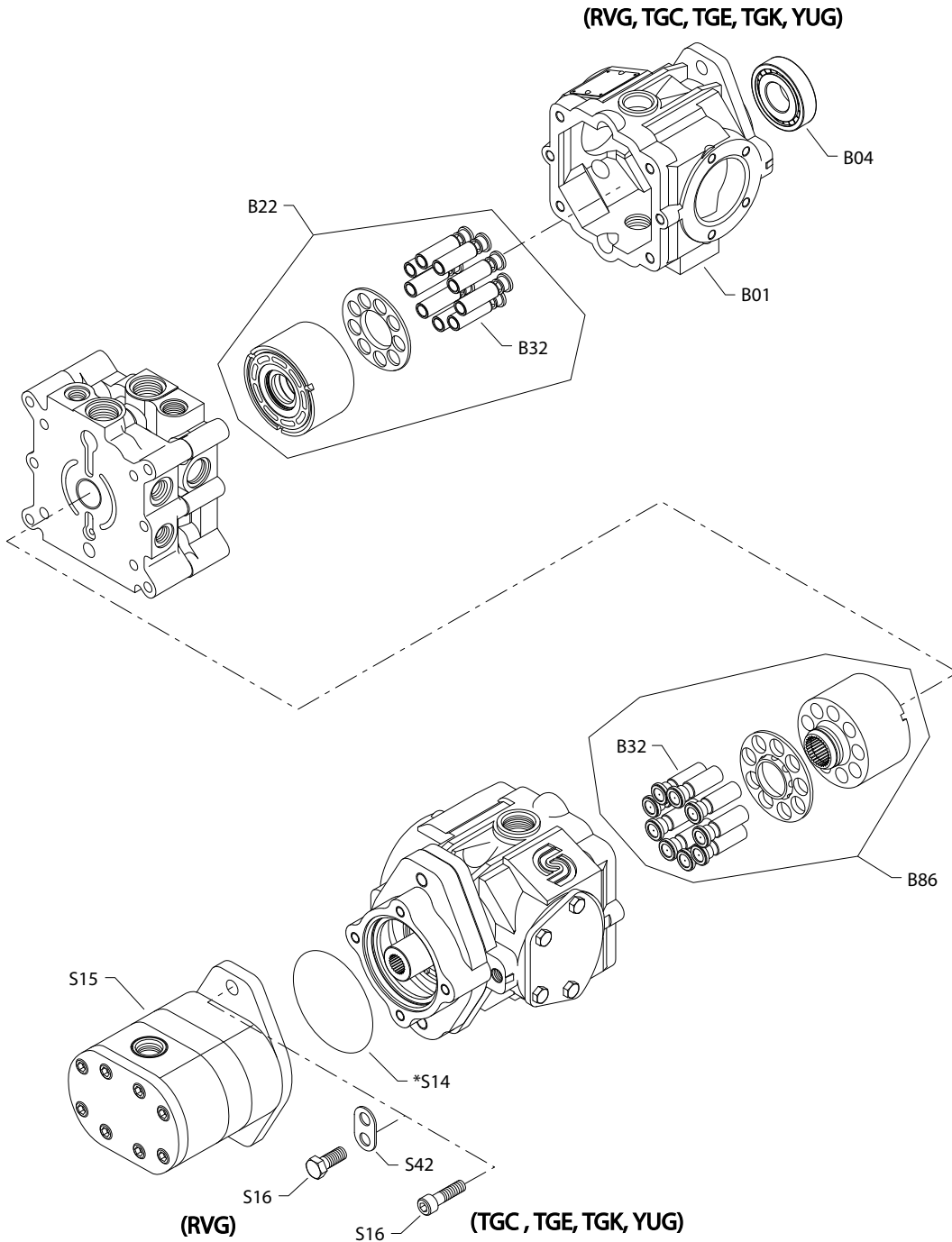
Order code: PGV

B01	06-14		4350350	Housing, front pump	1
B04	06-14		5000731	Ball bearing	1
B22	06-14		4440114	Cylinder block kit	1
B32	06-14		4440113	Piston assembly, welded	18
B86	06-14		4440114	Cylinder block kit	1
S14	06-14		9004100-1550	O-ring	1
S15	06-14		163D72020	Gear pump	1
S16	06-14		9007200-5022	Screw	2
S42	06-14		9801000	Lifting bracket	2

Variable displacement tandem pump

MPT044D special hardware RVG-YUG

Parts configuration



Generic gear pump and orientation shown.

* Included in overhaul seal kit Q210

Variable displacement tandem pump

Order code: RVG

Item	Date Begin	Date Begin	Part Number	Part Name	Qty. per Model/Kit
B01	06-18		4350350	Housing, front pump	1
B04	06-18		5000731	Ball bearing	1
B22	06-14		4440114	Cylinder block kit	1
B32	06-14		4440113	Piston assembly, welded	18
B86	06-14		4440114	Cylinder block kit	1
S14	06-18		9004100-1550	O-ring	1
S15	06-18		163D72012	Gear pump	1
S16	06-18		9007200-5022	Screw	2
S42	06-18		9801000	Lifting bracket	2

Order code: TGC

B01	06-10		4350350	Housing, front pump	1
B04	06-10		5000731	Ball bearing	1
B22	06-10		4440114	Cylinder block kit	1
B32	06-10		4440113	Piston assembly, welded	18
B86	06-10		4440114	Cylinder block kit	1
S14	06-10		5000373	O-ring	1
S15	06-10		163D70003	Gear pump	1
S16	06-10		9007300-3716	Screw	2

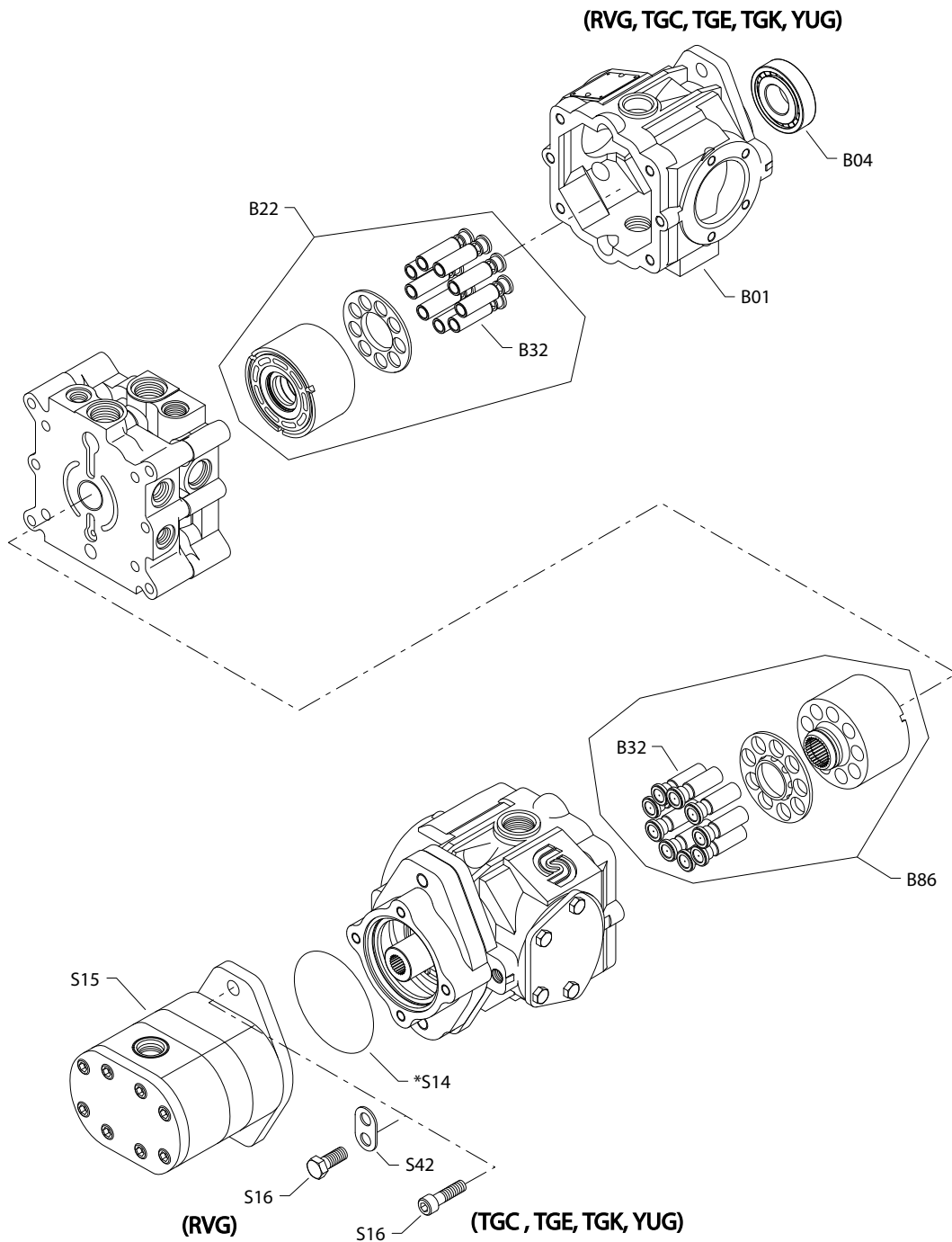
Order code: TGE

B01	06-10		4350350	Housing, front pump	1
B04	06-10		5000731	Ball bearing	1
B22	06-10		4440114	Cylinder block kit	1
B32	06-10		4440113	Piston assembly, welded	18
B86	06-10		4440114	Cylinder block kit	1
S14	06-10		5000373	O-ring	1
S15	06-10		163D71009	Gear pump	1
S16	06-10		9007300-3716	Screw	2

[Parts continue to the next 2 pages.](#)

Variable displacement tandem pump

Parts configuration



Generic gear pump and orientation shown.

* Included in overhaul seal kit Q210

Variable displacement tandem pump

Order code: TGK

Item	Date Begin	Date End	Part Number	Part Name	Qty. per Model/Kit
B01	06-10		4350350	Housing, front pump	1
B04	06-10		5000731	Ball bearing	1
B22	06-10		4440114	Cylinder block kit	1
B32	06-10		4440113	Piston assembly, welded	18
B86	06-10		4440114	Cylinder block kit	1
S14	06-10		5000373	O-ring	1
S15	06-10		163D71047	Gear pump	1
S16	06-10		9007300-3716	Screw	2

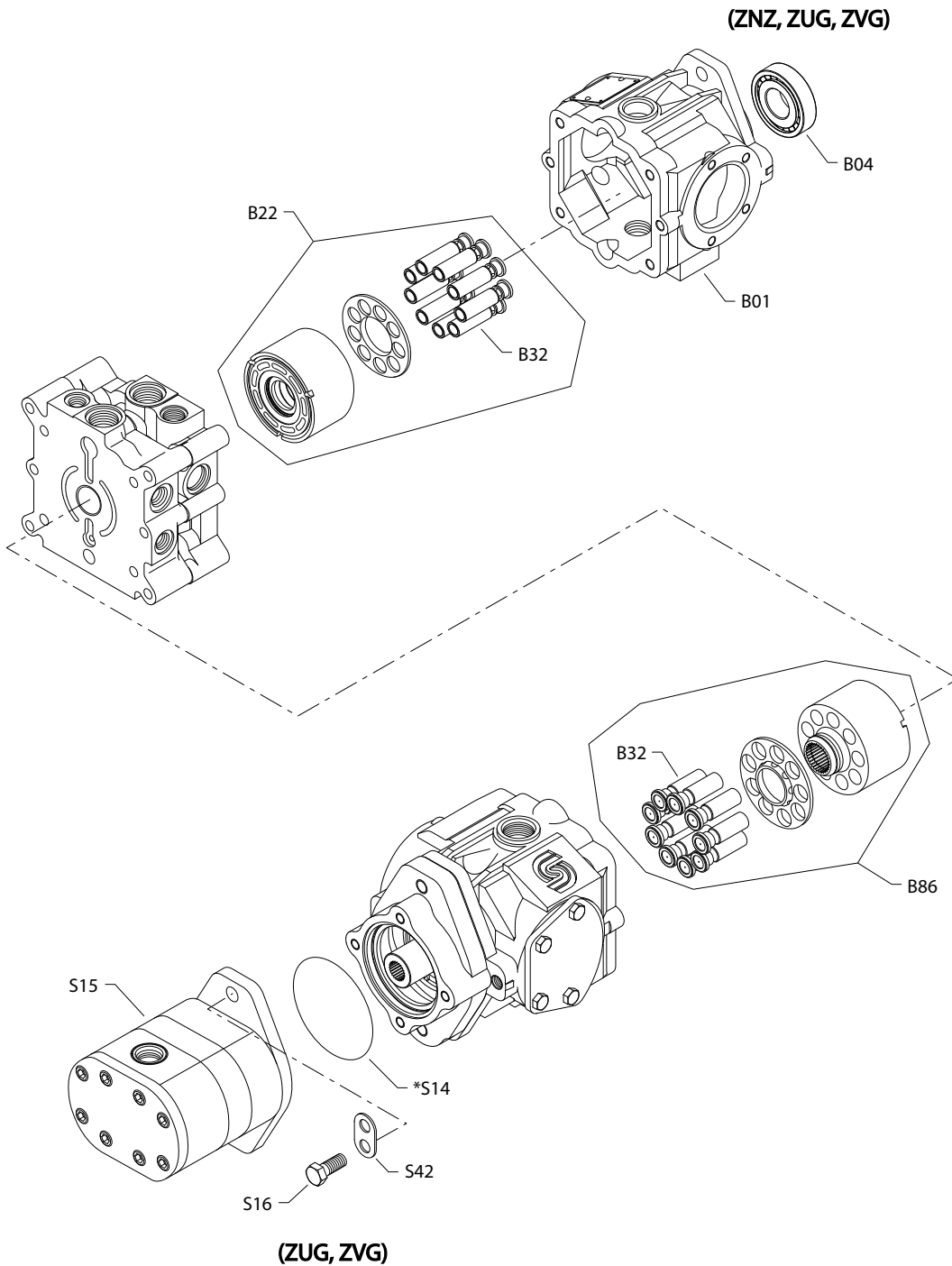
Order code: YUG

B01	06-10		4350350	Housing, front pump	1
B04	06-10		5000731	Ball bearing	1
B22	06-10		4440004	Cylinder block kit	1
B32	06-10		4440003	Piston assembly	18
B86	06-10		4440004	Cylinder block kit	1
S14	06-10		5000373	O-ring	1
S15	06-10		163D1483	Gear pump	1
S16	06-10		9007300-3716	Screw	2

Variable displacement tandem pump

MPT044D special hardware ZNZ-ZVG

Parts configuration



Generic gear pump and orientation shown.

* Included in overhaul seal kit Q210

Variable displacement tandem pump

Order code: ZNZ

Item	Date Begin	Date End	Part Number	Part Name	Qty. per Model/Kit
B01	06-14		4350350	Housing, front pump	1
B04	06-14		5000731	Ball bearing	1
B22	06-14		4440114	Cylinder block kit	1
B32	06-14		4440113	Piston assembly, welded	18
B86	06-14		4440114	Cylinder block kit	1

Order code: ZUG

B01	06-10		4350350	Housing, front pump	1
B04	06-10		5000731	Ball bearing	1
B22	06-10		4440114	Cylinder block kit	1
B32	06-10		4440113	Piston assembly, welded	18
B86	06-10		4440114	Cylinder block kit	1
S14	06-10		9004100-1550	O-ring	1
S15	06-10		163D1487	Gear pump	1
S16	06-10		9007200-5022	Screw	2
S42	06-10		9801000	Lifting bracket	2

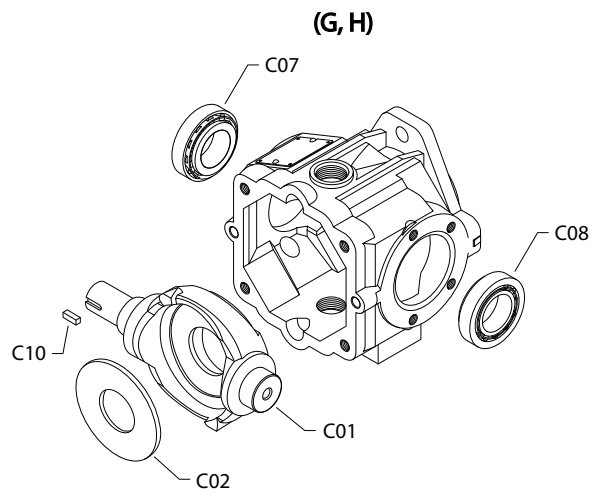
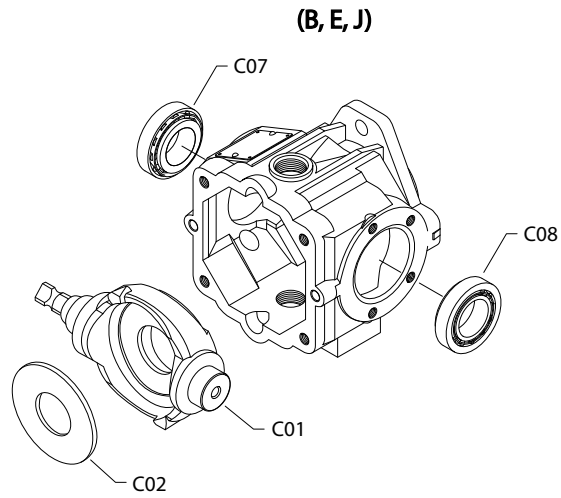
Order code: ZVG

B01	06-14		4350350	Housing, front pump	1
B04	06-14		5000731	Ball bearing	1
B22	06-14		4440114	Cylinder block kit	1
B32	06-14		4440113	Piston assembly, welded	18
B86	06-14		4440114	Cylinder block kit	1
S14	06-14		9004100-1550	O-ring	1
S15	06-14		163D72025	Gear pump	1
S16	06-14		9007200-5022	Screw	2
S42	06-14		9801000	Lifting bracket	2

Variable displacement tandem pump

S40 MPT swashplate B-H

Parts configuration



Variable displacement tandem pump

Order code: B

Item	Date Begin	Date End	Part Number	Part Name	Qty. per Model/Kit
C01	95-45		11166719	Swashplate, tapped, 3/8-16	1
C02	95-45		4350148	Thrust plate	1
C07	95-45		4800470	Bearing kit	1
C08	95-45		4800470	Bearing kit	1

Order code: E

C01	02-32		4440275	Swashplate, 1.25" trunnion	1
C02	02-32		4350148	Thrust plate	1
C07	02-32		4800470	Bearing kit	1
C08	02-32		4800470	Bearing kit	1

Order code: G

C01	03-07		4350823	Swashplate, 24 mm diameter keyed, 14.6°	1
C02	03-07		4350148	Thrust plate	1
C07	03-07		4800470	Bearing kit	1
C08	03-07		4800470	Bearing kit	1
C10	05-05		1040275	Key	1

Order code: H

C01	03-07		4350822	Swashplate, 24 mm diameter keyed, 16°	1
C02	03-07		4350148	Thrust plate	1
C07	03-07		4800470	Bearing kit	1
C08	03-07		4800470	Bearing kit	1
C10	05-05		1040275	Key	1

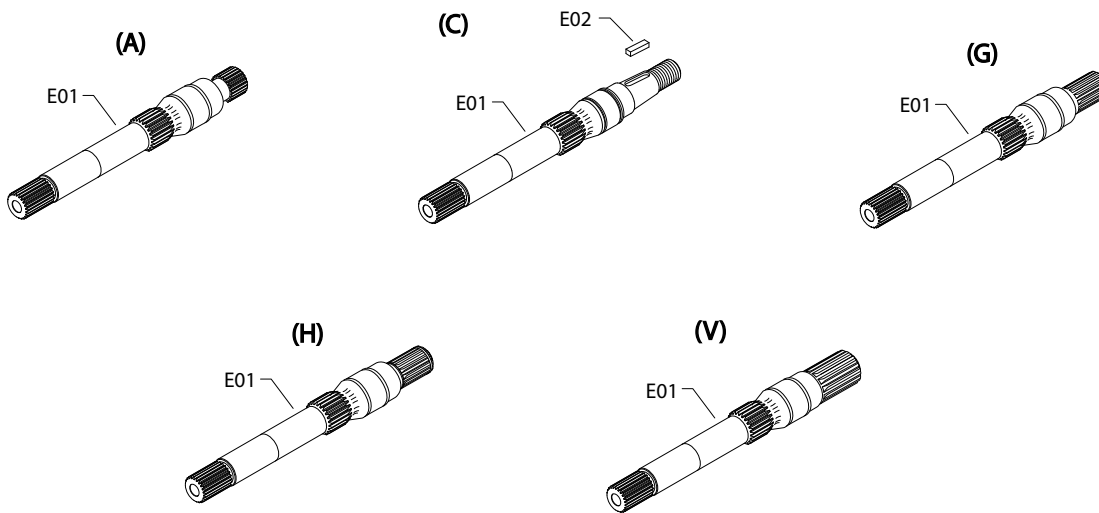
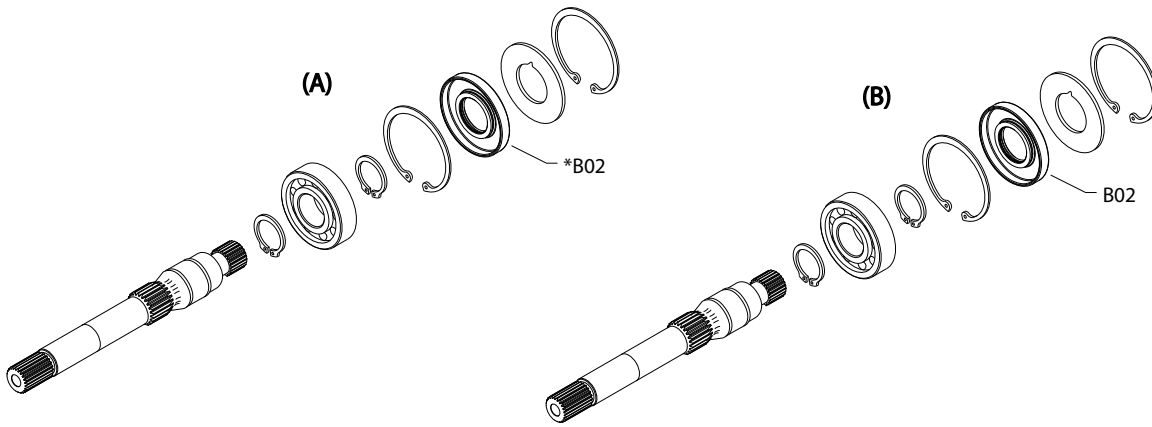
Order code: J

C01	03-26		11166719	Swashplate, tapped, 3/8-16	1
C02	03-26		4350148	Thrust plate	1
C07	03-26		4800470	Bearing kit	1
C08	03-26		4800470	Bearing kit	1

Variable displacement tandem pump

S40 MPT shaft and shaft seal

Parts configuration



* Included in overhaul seal kit Q210

Variable displacement tandem pump

Shaft seal

Order code: A

Item	Date Begin	Date End	Part Number	Part Name	Qty. per Model/Kit
B02	95-45		5000689	Lip seal (SB-2003-018 on page 137)	1

Order code: B

B02	13-03		11103135	Lip seal	1
-----	-------	--	----------	----------	---

Order code: C

No parts					
----------	--	--	--	--	--

Input shaft

Order code: A

E01	95-45		4350425	Shaft, 15-tooth spline	1
-----	-------	--	---------	------------------------	---

Order code: C

E01	95-45		4350791	Shaft, tapered (SB-2002-021 on page 136)	1
E02	02-27		5000664	Key, square (SB-2002-021 on page 136)	1
E02	95-45	02-26	9003310-2514	Key, woodruff	1

Order code: F

E01	15-32		11168460	Shaft, 14-tooth spline	1
-----	-------	--	----------	------------------------	---

Order code: G

E01	95-45		4350433	Shaft, 15-tooth spline, special	1
-----	-------	--	---------	---------------------------------	---

Order code: H

E01	95-45		11066019	Shaft, 15-tooth spline, no undercut, snap ring groove	1
-----	-------	--	----------	---	---

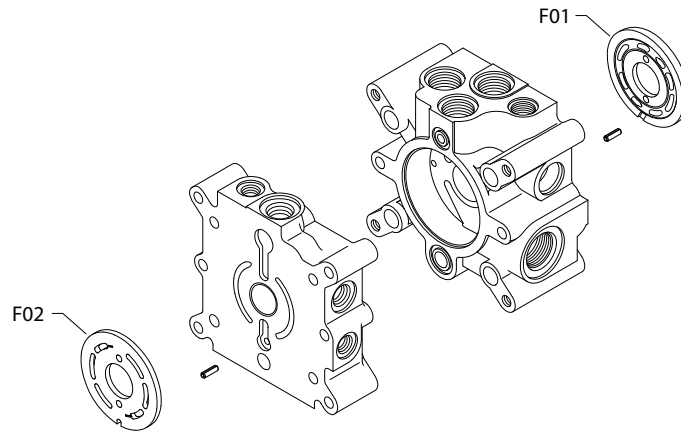
Order code: V

E01	03-07		1715573	Shaft, 18-tooth	1
-----	-------	--	---------	-----------------	---

Variable displacement tandem pump

S40 MPT valve plate rotation 2-9, B-Y

Parts configuration



Variable displacement tandem pump

Order code: 2

Item	Date Begin	Date End	Part Number	Part Name	Qty. per Model/Kit
F01	95-50	03-29	4350729	Valve plate, CCW, 4° index	1
F02	95-50	03-29	4350728	Valve plate, CW, 4° index	1

Order code: 4

F01	97-06		4440076	Valve plate, CCW, low force	1
F02	97-06		4440075	Valve plate, CW, low force	1

Order code: 5

F01	97-11		4440075	Valve plate, CW, low force	1
F02	97-11		4440076	Valve plate, CCW, low force	1

Order code: 8

F01	03-34		4350730	Valve plate, CW, 6° index	1
F02	03-34		4350731	Valve plate, CCW, 6° index	1

Order code: 9

F01	03-21		4350728	Valve plate, CW, 4° index	1
F02	03-21		4350729	Valve plate, CCW, 4° index	1

Order code: B

F01	95-45	03-29	4350728	Valve plate, CW, 4° index	1
F02	95-45	03-29	4350729	Valve plate, CCW, 4° index	1

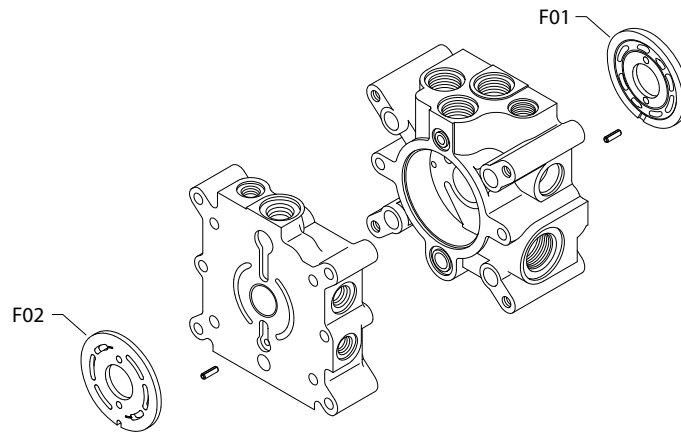
Order code: J

F01	14-38		11155056	Valve plate, CW, 5° index	1
F02	14-38		11155058	Valve plate, CCW, 5° index	1

[Parts continue to the next 2 pages.](#)

Variable displacement tandem pump

Parts configuration



Variable displacement tandem pump

Order code: K

Item	Date Begin	Date End	Part Number	Part Name	Qty. per Model/Kit
F01	14-38		11155058	Valve plate, CCW, 5° index	1
F02	14-38		11155056	Valve plate, CW, 5° index	1

Order code: L

F01	95-45		4350158	Valve plate, CCW,	1
F02	95-45		4350157	Valve plate, CW	1

Order code: M

F01	95-45		4350285	Valve plate, CW, 0° index	1
F02	95-45		4350284	Valve plate, CCW, 0° index	1

Order code: N

F01	95-45		4350284	Valve plate, CCW, 0° index	1
F02	95-45		4350285	Valve plate, CW, 0° index	1

Order code: P

F01	16-08		11136836	Valve plate, CCW	1
F02	16-08		11136834	Valve plate, CW	1

Order code: R

F01	95-45		4350157	Valve plate, CW	1
F02	95-45		4350158	Valve plate, CCW	1

Order code: W

F01	95-45		4350322	Valve plate, CW, quiet	1
F02	95-45		4350323	Valve plate, CCW, quiet	1

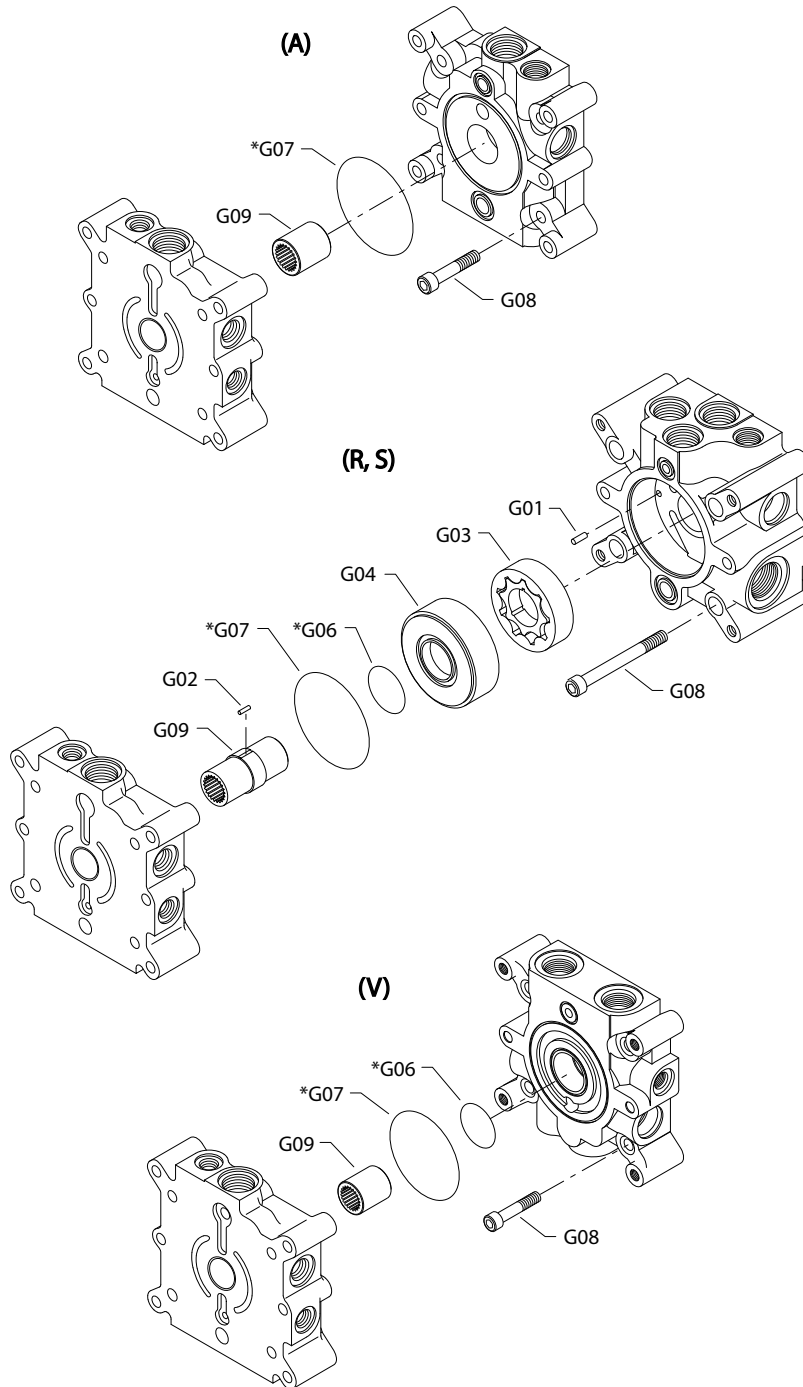
Order code: Y

F01	95-45		4350323	Valve plate, CCW, quiet	1
F02	95-45		4350322	Valve plate, CW, quiet	1

Variable displacement tandem pump

S40 MPT charge pump A-V

Parts configuration



* Included in overhaul seal kit Q210

Variable displacement tandem pump

Order code: A

Item	Date Begin	Date End	Part Number	Part Name	Qty. per Model/Kit
G07	95-45		9004100-1530	O-ring	1
G08	95-45		654053 (9007314-1012)	Screw, M10 x 55	4
G09	95-45		4350046	Coupling	1

Order code: R

G01	95-45		9004800-1908	Pin	1
G02	95-45		9004800-1206	Pin	1
G03	95-45		4800128-0001	Gerotor assembly, 16.4cc/rev	1
G04	95-45		11111469	Gerotor spacer (SB-2013-002 on page 141)	1
G06	95-45		5000352	O-ring	1
G07	95-45		9004100-2370	O-ring	1
G08	95-45		9007314-1018	Screw, M10 x 90	4
G09	95-45		11104848	Coupling (SB-2013-002 on page 141)	1

Order code: S

G01	95-45		9004800-1908	Pin	1
G02	95-45		9004800-1206	Pin	1
G03	95-45		4800128-0002	Gerotor assembly, 19.7cc/rev	1
G04	95-45		4800178	Gerotor spacer	1
G06	95-45		5000352	O-ring	1
G07	95-45		9004100-2370	O-ring	1
G08	95-45		9007314-1018	Screw, M10 x 90	4
G09	95-45		11104848	Coupling (SB-2013-002 on page 141)	1

Order code: V

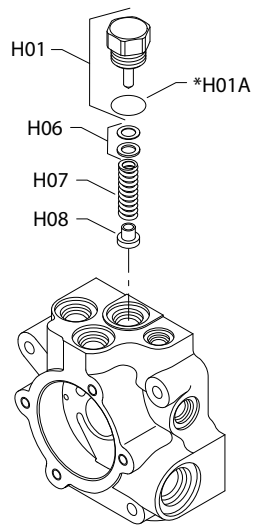
G06	03-05		9004100-1310	O-ring	1
G07	03-05		9004100-1530	O-ring	1
G08	03-05		654053 (9007314-1012)	Screw, M10 x 55	4
G09	03-05		4350046	Coupling	1

Variable displacement tandem pump

Charge pressure relief valve

MPT044D charge pressure relief 2, 4, A

Parts configuration



* Included in overhaul seal kit Q210

Variable displacement tandem pump

Order code: 2

Item	Date Begin	Date End	Part Number	Part Name	Qty. per Model/Kit
H01	01-05		4800308	Plug assembly/20 bar [290 psi]	1
H01A	01-05		001149 (9004201-6200)	O-ring	1
H06	01-05		4510027	Shim kit	1
H07	01-05		4800176	Spring	1
H08	01-05		4800134	Poppet	1

Order code: 4

H01	02-09		4800308	Plug assembly/10.3 bar [150 psi]	1
H01A	02-09		001149 (9004201-6200)	O-ring	1
H06	02-09		4510027	Shim kit	1
H07	02-09		4800149	Spring	1
H08	02-09		4800134	Poppet	1

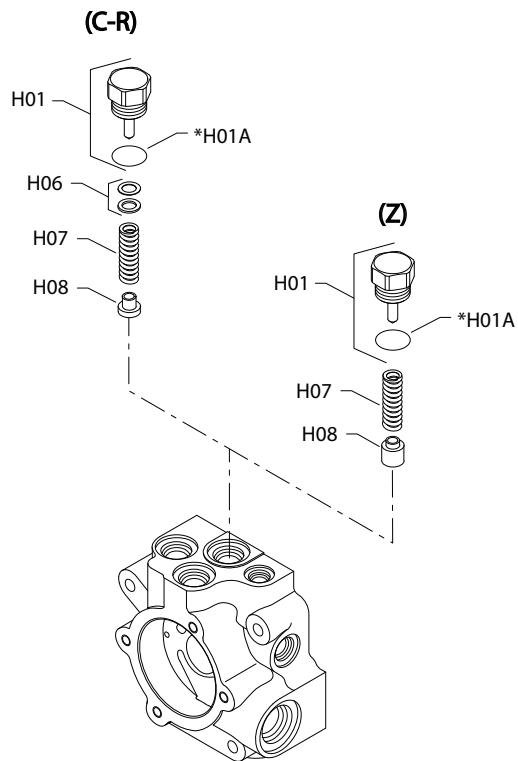
Order code: A

H01	95-45		4800308	Plug assembly/16 bar [230 psi]	1
H01A	95-45		001149 (9004201-6200)	O-ring	1
H06	95-45		4510027	Shim kit	1
H07	95-45		4800176	Spring	1
H08	95-45		4800134	Poppet	1

Variable displacement tandem pump

MPT044D charge pressure relief C-Z

Parts configuration



* Included in overhaul seal kit Q210

Variable displacement tandem pump

Common parts

Item	Date Begin	Date End	Part Number	Part Name	Qty. per Model/Kit
H01A	95-45		001149 (9004201-6200)	O-ring	1

Order code: C

H01	95-45		4800308	Plug assembly	1
H06	01-48		4510027	Shim kit, 18 bar [260 psi]	1
H07	01-48		4800176	Spring	1
H08	01-48		4800134	Poppet	1

Order code: E

H01	95-45		4800308	Plug assembly	1
H06	95-45		4510027	Shim kit, 11 bar [160 psi]	1
H07	95-45		4800176	Spring	1
H08	95-45		4800134	Poppet	1

Order code: F

H01	95-45		4800308	Plug assembly	1
H06	95-45		4510027	Shim kit, 11 bar [160 psi]	1
H07	95-45		4800714	Spring	1
H08	95-45		4800134	Poppet	1

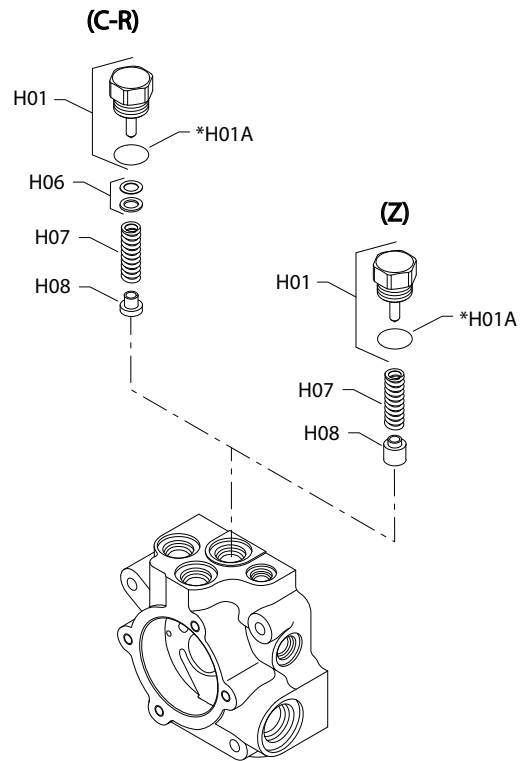
Order code: G

H01	95-45		4800308	Plug assembly	1
H06	95-45		4510027	Shim kit, 7.5 bar [110 psi]	1
H07	95-45		4800176	Spring	1
H08	95-45		4800134	Poppet	1

[Parts continue to the next 2 pages.](#)

Variable displacement tandem pump

Parts configuration



* Included in overhaul seal kit Q210

Variable displacement tandem pump

Common parts

Item	Date Begin	Date End	Part Number	Part Name	Qty. per Model/Kit
H01A	95-45		001149 (9004201-6200)	O-ring	1

Order code: H

H01	95-45		4800308	Plug assembly	1
H06	95-45		4510027	Shim kit, 24 bar [348 psi]	1
H07	95-45		11022448	Spring	1
H08	95-45		4800134	Poppet	1

Order code: J

H01	95-45		4800308	Plug assembly	1
H06	97-13		4510027	Shim kit, 22 bar [315 psi]	1
H07	97-13		4800176	Spring	1
H08	97-13		4800134	Poppet	1

Order code: M

H01	95-45		4800308	Plug assembly	1
H06	98-25		4510027	Shim kit, 28.3 bar [410 psi]	1
H07	98-25		11022448	Spring	1
H08	98-25		4800134	Poppet	1

Order code: R

H01	95-45		4800308	Plug assembly	1
H06	98-40		4510027	Shim kit, 6.2 bar [90 psi]	1
H07	98-40		4800714	Spring	1
H08	98-40		4800134	Poppet	1

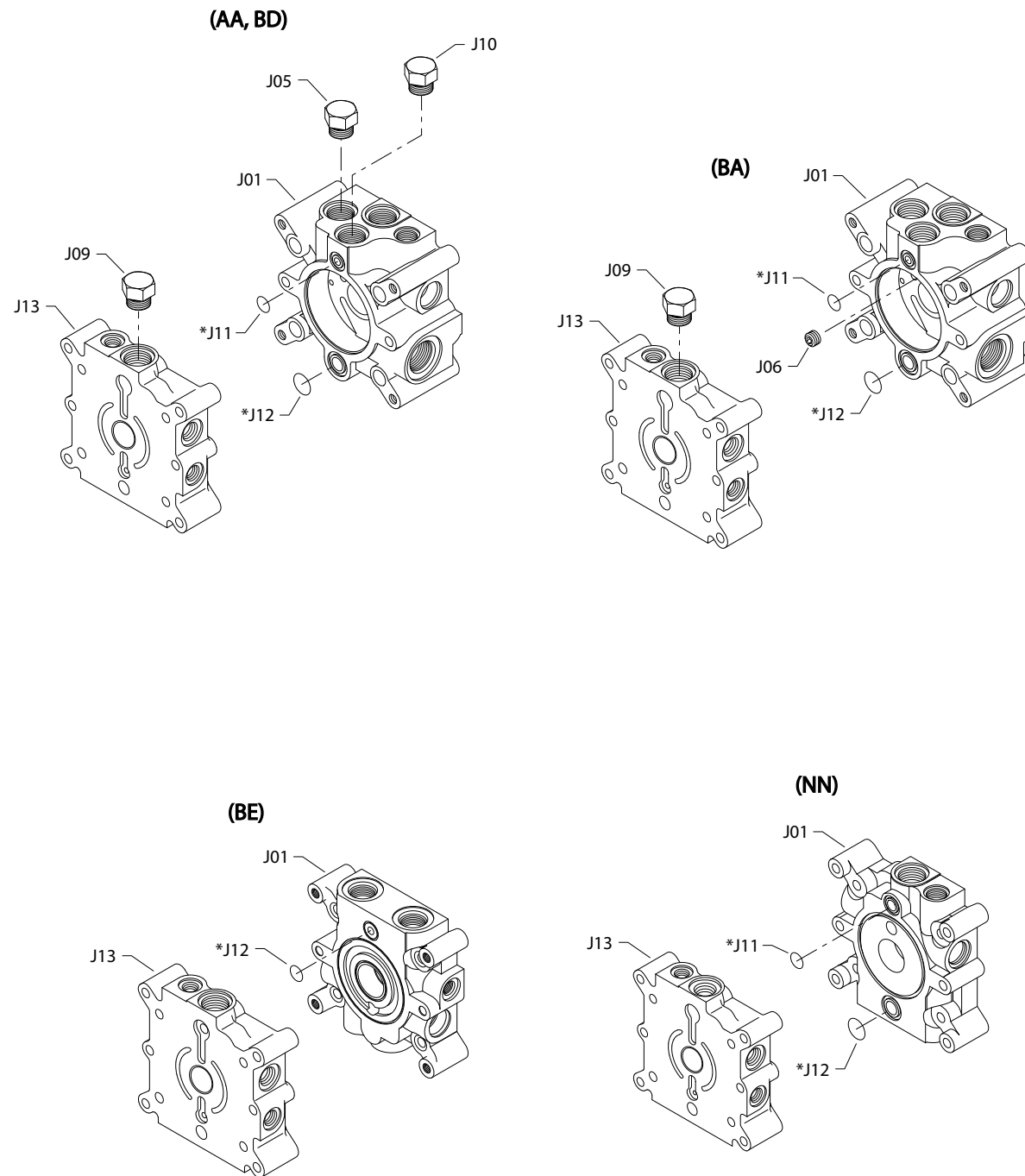
Order code: Z

H01	95-45		4800308	Plug assembly	1
H07	98-40		4800176	Spring, 6.2 bar [90 psi]	1
H08	98-40		4800445	Poppet, orificed - .003	1

Variable displacement tandem pump

S40 MPT filtration

Parts configuration



* Included in overhaul seal kit Q210

Variable displacement tandem pump

Order code: AA

Item	Date Begin	Date End	Part Number	Part Name	Qty. per Model/Kit
J01	95-45		11089077	End cap (SB-2010-037 on page 139)	1
J05	95-45		001537 (9005100-8700)	Plug assembly	1
J09	95-45		001537 (9005100-8700)	Plug assembly	1
J10	95-45		001537 (9005100-8700)	Plug assembly	1
J11	95-45		9004100-1140	O-ring	1
J12	95-45		9004100-1180	O-ring	1
J13	95-45		4350405	End cap	1

Order code: BA

J01	95-45		11089077	End cap (SB-2010-037 on page 139)	1
J06	95-45		001487 (9005001-2500)	Pipe plug	1
J09	95-45		001537 (9005100-8700)	Plug assembly	1
J11	95-45		9004100-1140	O-ring	1
J12	95-45		9004100-1180	O-ring	1
J13	95-45		4350405	End cap	1

Order code: BD

J01	01-22		4350713	End cap	1
J05	01-22		001537 (9005100-8700)	Plug assembly	1
J09	01-22		001537 (9005100-8700)	Plug assembly	1
J10	01-22		001537 (9005100-8700)	Plug assembly	1
J11	01-22		9004100-1140	O-ring	1
J12	01-22		9004100-1180	O-ring	1
J13	01-22		4350405	End cap	1

Order code: BE

J01	03-05		11083594	End cap, opposing ports (SB-2010-037 on page 139)	1
J12	03-05		511852 (9004100-1140)	O-ring	1
J13	03-05		4440222	End cap, opposing ports	1

Order code: NN

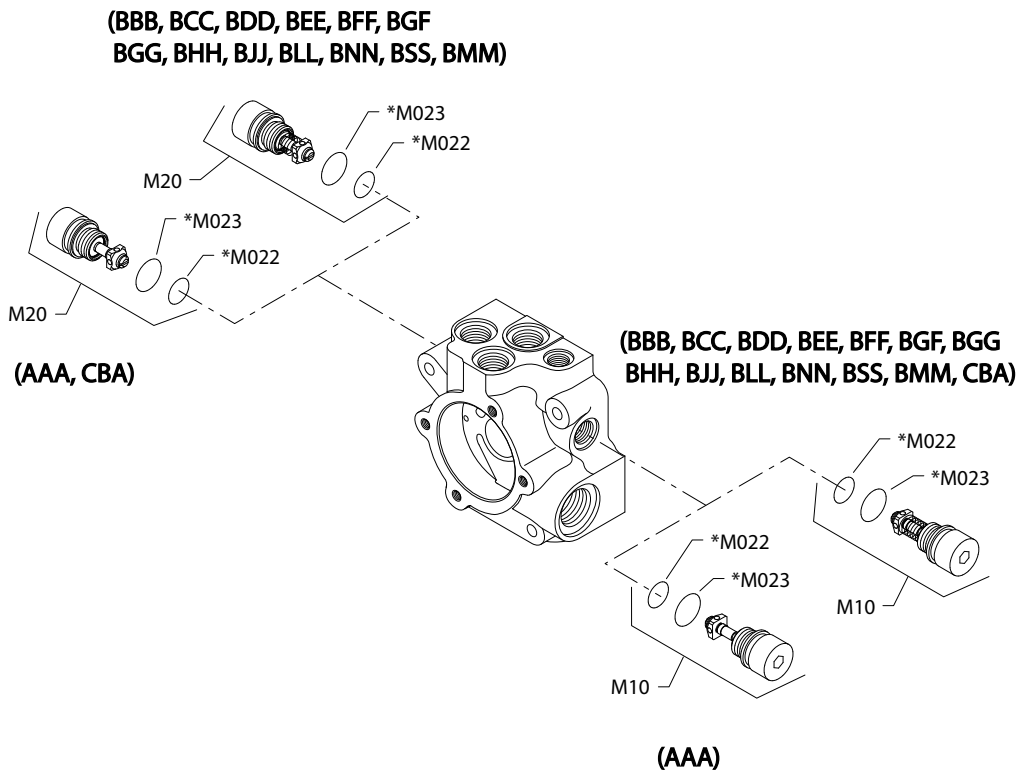
J01	95-45		11083596	End cap (SB-2010-037 on page 139)	1
J11	95-45		9004100-1140	O-ring	1
J12	95-45		9004100-1180	O-ring	1
J13	95-45		4350405	End cap	1

Variable displacement tandem pump

System pressure protection

S40 MPT system pressure protection (front pump) AAA-

Parts configuration



Variable displacement tandem pump
Common parts

Item	Date Begin	Date End	Part Number	Part Name	Qty. per Model/Kit
M022	95-45		001131 (9004201-5000)	O-ring	2
M023	95-45		9004100-2110	O-ring	2

Order code: AAA

M10	95-45		4350634	Check valve poppet assembly (SB-1996-014 on page 130)	1
M20	95-45		4350634	Check valve poppet assembly (SB-1996-014 on page 130)	1

Order code: BBB

M10	95-45		4350643	SCR valve assembly, 175 bar [2528 psi] (SB-1996-014 on page 130)	1
M20	95-45		4350643	SCR valve assembly, 175 bar [2528 psi] (SB-1996-014 on page 130)	1

Order code: BDD

M10	95-45		4350641	SCR valve assembly, 210 bar [3045 psi] (SB-1996-014 on page 130)	1
M20	95-45		4350641	SCR valve assembly, 210 bar [3045 psi] (SB-1996-014 on page 130)	1

Order code: BEE

M10	95-45		4350640	SCR valve assembly, 230 bar [3335 psi] (SB-1996-014 on page 130)	1
M20	95-45		4350640	SCR valve assembly, 230 bar [3335 psi] (SB-1996-014 on page 130)	1

Order code: BFF

M10	95-45		4350639	SCR valve assembly, 250 bar [3625 psi] (SB-1996-014 on page 130)	1
M20	95-45		4350639	SCR valve assembly, 250 bar [3625psi] (SB-1996-014 on page 130)	1

Order code: BGF

M10	96-28		4350638	SCR valve assembly, 280 bar [4060 psi]	1
M20	96-28		4350639	SCR valve assembly, 250 bar [3625 psi]	1

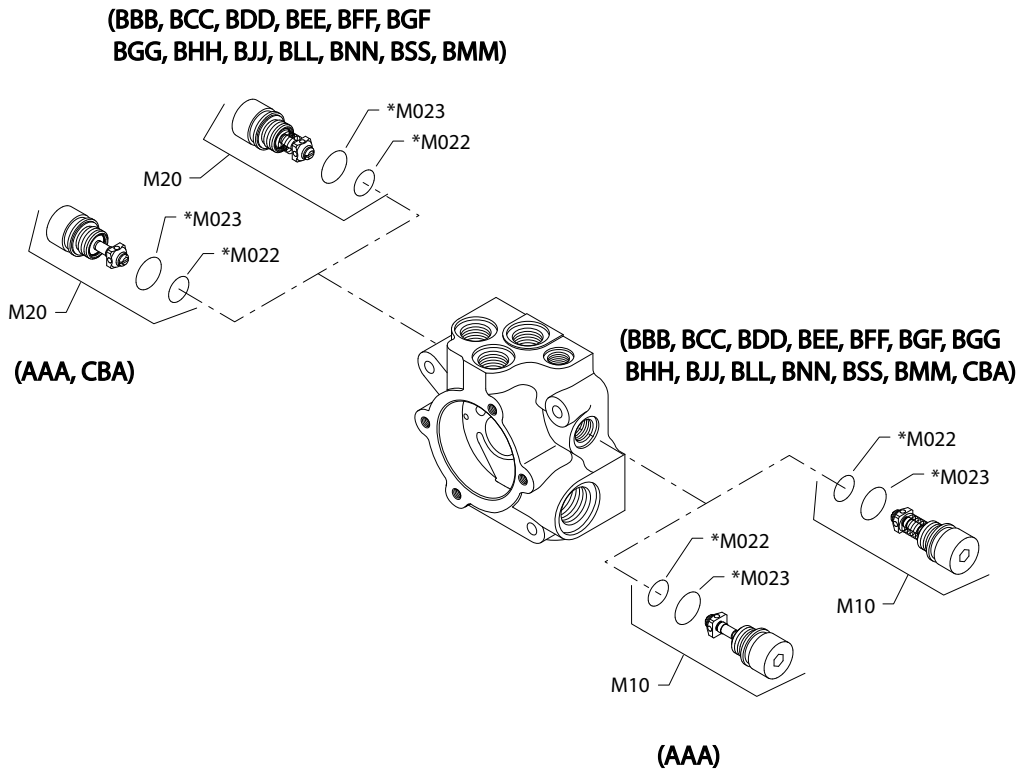
Order code: BGG

M10	95-45		4350638	SCR valve assembly, 280 bar [4060 psi] (SB-1996-014 on page 130)	1
M20	95-45		4350638	SCR valve assembly, 280 bar [4060 psi] (SB-1996-014 on page 130)	1

[Parts continue to the next 2 pages.](#)

Variable displacement tandem pump

Parts configuration



* Included in overhaul seal kit Q210

Variable displacement tandem pump

Common parts

Item	Date Begin	Date End	Part Number	Part Name	Qty. per Model/Kit
M022	95-45		001131 (9004201-5000)	O-ring	2
M023	95-45		9004100-2110	O-ring	2

Order code: BHH

M10	95-45		4350637	SCR valve assembly, 300 bar [4350 psi] (SB-1996-014 on page 130)	1
M20	95-45		4350637	SCR valve assembly, 300 bar [4350 psi] (SB-1996-014 on page 130)	1

Order code: BJJ

M10	95-45		4350636	SCR valve assembly, 345 bar [5000 psi] (SB-1996-014 on page 130)	1
M20	95-45		4350636	SCR valve assembly, 345 bar [5000 psi] (SB-1996-014 on page 130)	1

Order code: BKK

M10	01-02		4440239	SCR valve assembly, 360 bar [5220 psi]	1
M20	01-02		4440239	SCR valve assembly, 360 bar [5220 psi]	1

Order code: BMM

M10	95-45		4350635	SCR valve assembly, 140 bar [2030 psi] (SB-1996-014 on page 130)	1
M20	95-45		4350635	SCR valve assembly, 140 bar [2030 psi] (SB-1996-014 on page 130)	1

Order code: BNN

M10	95-45		4350644	SCR valve assembly, 260 bar [3770 psi] (SB-1996-014 on page 130)	1
M20	95-45		4350644	SCR valve assembly, 260 bar [3770 psi] (SB-1996-014 on page 130)	1

Order code: BRR

M10	96-38		4350645	SCR valve assembly, 325 bar [4712 psi]	1
M20	96-38		4350645	SCR valve assembly, 325 bar [4712 psi]	1

Order code: BSS

M10	95-45		4350694	SCR valve assembly, 385 bar [5580 psi]	1
M20	95-45		4350694	SCR valve assembly, 385 bar [5580 psi]	1

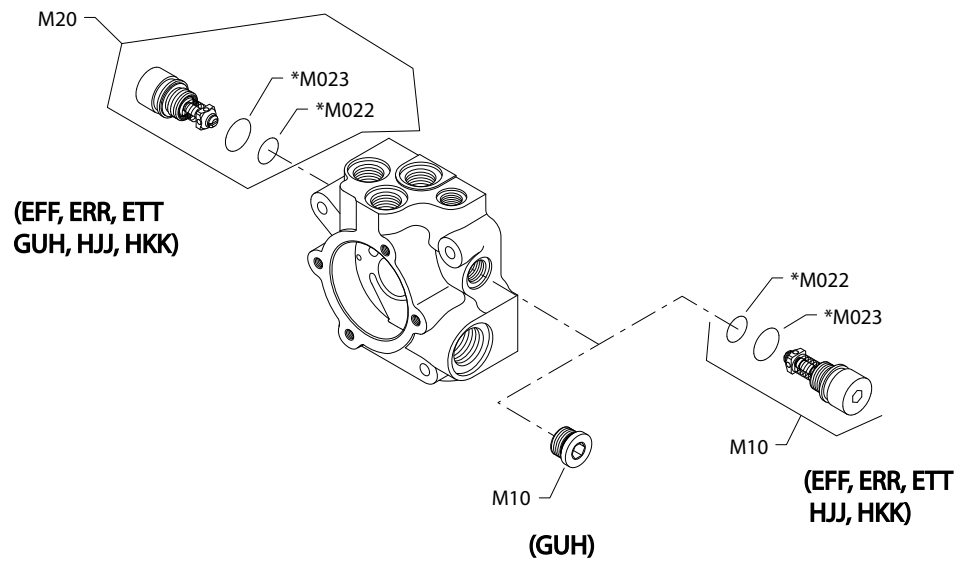
Order code: CGA

M10	03-05		4350638	SCR valve assembly, 280 bar [4060 psi]	1
M20	03-05		4350634	Check valve poppet assembly	1

Variable displacement tandem pump

MPT044D System pressure protection (front pump) EFF-HKK

Parts configuration



* Included in overhaul seal kit Q210

Variable displacement tandem pump

Common parts

Item	Date Begin	Date End	Part Number	Part Name	Qty. per Model/Kit
M022	95-45		001131 (9004201-5000)	O-ring	2
M023	95-45		9004100-2110	O-ring	2

Order code: EFF

M10	98-47		4250139	SCR valve assembly, 250 bar [3625 psi]	1
M20	98-47		4250139	SCR valve assembly, 250 bar [3625 psi]	1

Order code: ERR

M10	98-31		4350673	SCR valve assembly, 325 bar [4712 psi]	1
M20	98-31		4350673	SCR valve assembly, 325 bar [4712 psi]	1

Order code: ETT

M10	98-31		4350723	SCR valve assembly, 345 bar [5000 psi]	1
M20	98-31		4350723	SCR valve assembly, 345 bar [5000 psi]	1

Order code: GUH

M10	98-31		9005110-7500	Plug assembly	1
M20	98-31		4350637	SCR valve assembly, 300 bar [4350 psi]	1

Order code: HJJ

M10	98-31	16-22	4440376	SCR valve assembly, 345 bar [5000 psi]	1
M20	98-31	16-22	4440376	SCR valve assembly, 345 bar [5000 psi]	1

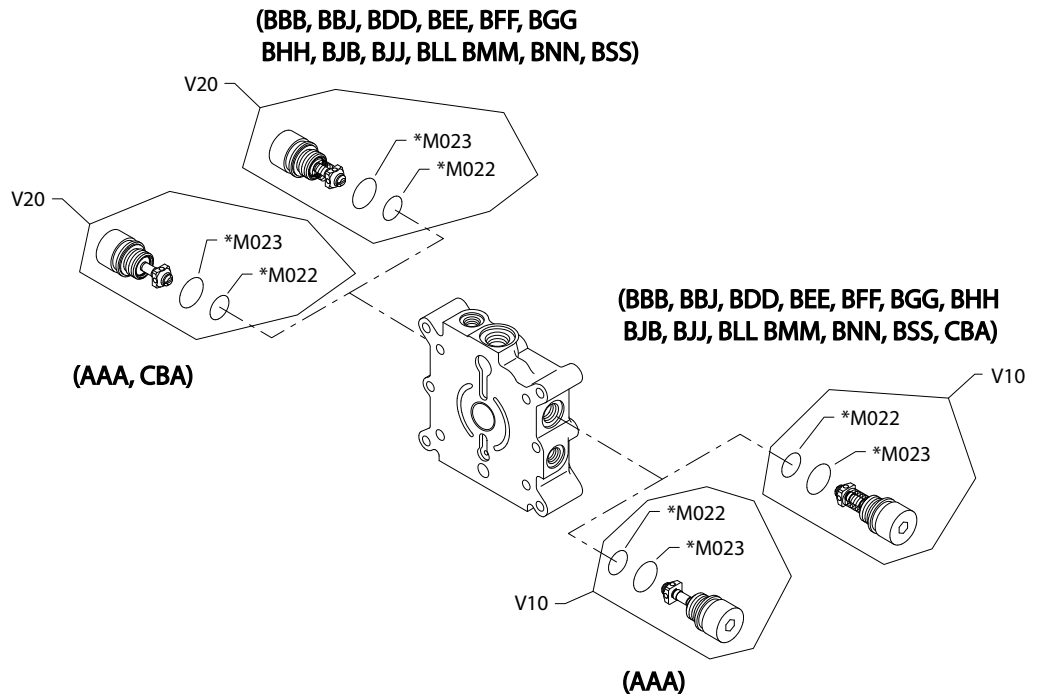
Order code: HKK

M10	98-31	16-22	11041730	SCR valve assembly, 360 bar [5220 psi]	1
M20	98-31	16-22	11041730	SCR valve assembly, 360 bar [5220 psi]	1

Variable displacement tandem pump

S40 MPT system pressure protection (rear pump) AAA-CBA

Parts configuration



* Included in overhaul seal kit Q210

Variable displacement tandem pump

Common parts

Item	Date Begin	Date End	Part Number	Part Name	Qty. per Model/Kit
M022	95-45		001131 (9004201-5000)	O-ring	2
M023	95-45		9004100-2110	O-ring	2

Order code: AAA

V10	95-45		4350634	Check valve poppet assembly (SB-1996-014 on page 130)	1
V20	95-45		4350634	Check valve poppet assembly (SB-1996-014 on page 130)	1

Order code: BBB

V10	95-45		4350643	SCR valve assembly, 175 bar [2528 psi] (SB-1996-014 on page 130)	1
V20	95-45		4350643	SCR valve assembly, 175 bar [2528 psi] (SB-1996-014 on page 130)	1

Order code: BDD

V10	95-45		4350641	SCR valve assembly, 210 bar [3045 psi] (SB-1996-014 on page 130)	1
V20	95-45		4350641	SCR valve assembly, 210 bar [3045 psi] (SB-1996-014 on page 130)	1

Order code: BEE

V10	95-45		4350640	SCR valve assembly, 230 bar [3335 psi] (SB-1996-014 on page 130)	1
V20	95-45		4350640	SCR valve assembly, 230 bar [3335 psi] (SB-1996-014 on page 130)	1

Order code: BFF

V10	95-45		4350639	SCR valve assembly, 250 bar [3625 psi] (SB-1996-014 on page 130)	1
V20	95-45		4350639	SCR valve assembly, 250 bar [3625psi] (SB-1996-014 on page 130)	1

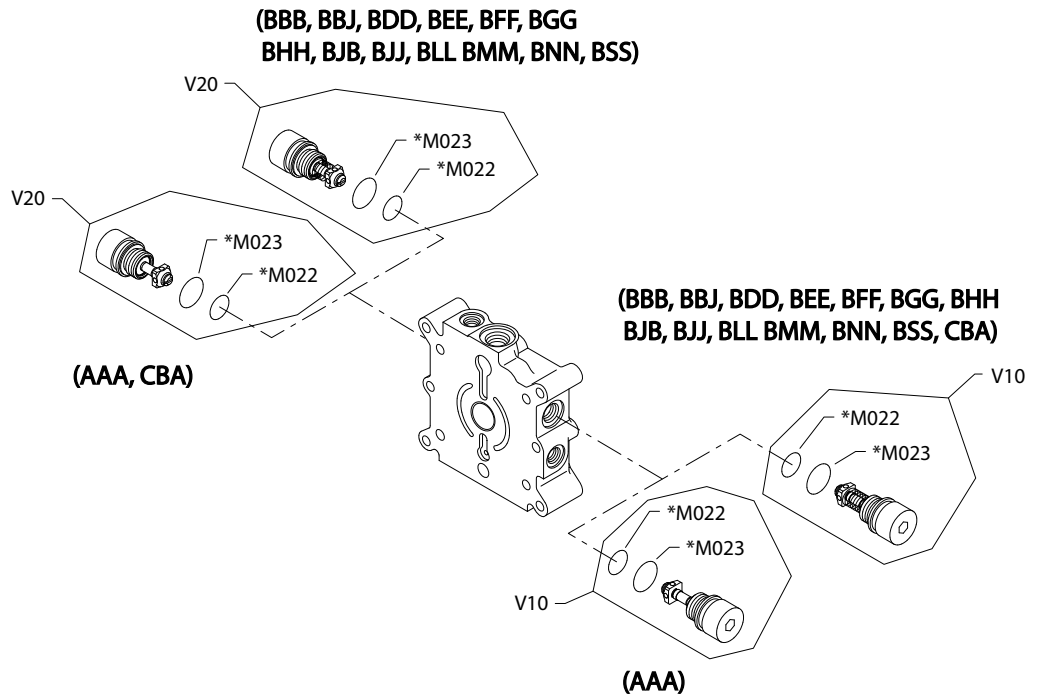
Order code: BGG

V10	95-45		4350638	SCR valve assembly, 280 bar [4060 psi] (SB-1996-014 on page 130)	1
V20	95-45		4350638	SCR valve assembly, 280 bar [4060 psi] (SB-1996-014 on page 130)	1

[Parts continue to the next 2 pages.](#)

Variable displacement tandem pump

Parts configuration



* Included in overhaul seal kit Q210

Variable displacement tandem pump
Common parts

Item	Date Begin	Date End	Part Number	Part Name	Qty. per Model/Kit
M022	95-45		001131 (9004201-5000)	O-ring	2
M023	95-45		9004100-2110	O-ring	2

Order code: BHH

V10	95-45		4350637	SCR valve assembly, 300 bar [4350 psi] (SB-1996-014 on page 130)	1
V20	95-45		4350637	SCR valve assembly, 300 bar [4350 psi] (SB-1996-014 on page 130)	1

Order code: BJJ

V10	95-45		4350636	SCR valve assembly, 345 bar [5000 psi] (SB-1996-014 on page 130)	1
V20	95-45		4350636	SCR valve assembly, 345 bar [5000 psi] (SB-1996-014 on page 130)	1

Order code: BKK

V10	95-45		4440239	SCR valve assembly, 360 bar [5220 psi] (SB-1996-014 on page 130)	1
V20	95-45		4440239	SCR valve assembly, 360 bar [5220 psi] (SB-1996-014 on page 130)	1

Order code: BMM

V10	95-45		4350635	SCR valve assembly, 140 bar [2030 psi] (SB-1996-014 on page 130)	1
V20	95-45		4350635	SCR valve assembly, 140 bar [2030 psi] (SB-1996-014 on page 130)	1

Order code: BNN

V10	95-45		4350644	SCR valve assembly, 260 bar [3770 psi] (SB-1996-014 on page 130)	1
V20	95-45		4350644	SCR valve assembly, 260 bar [3770 psi] (SB-1996-014 on page 130)	1

Order code: BRR

V10	95-45		4350645	SCR valve assembly, 325 bar [4712 psi] (SB-1996-014 on page 130)	1
V20	95-45		4350645	SCR valve assembly, 325 bar [4712 psi] (SB-1996-014 on page 130)	1

Order code: BSS

V10	95-45		4350694	SCR valve assembly, 385 bar [5580 psi]	1
V20	95-45		4350694	SCR valve assembly, 385 bar [5580 psi]	1

Order code: CBA

V10	95-45		4350643	SCR valve assembly, 175 bar [2528 psi] (SB-1996-014 on page 130)	1
V20	95-45		4350634	Check valve poppet assembly (SB-1996-014 on page 130)	1

Order code: CGA

V10	98-24		4350638	SCR valve assembly, 280 bar [4060 psi]	1
V20	98-24		4350634	Check valve poppet assembly	1

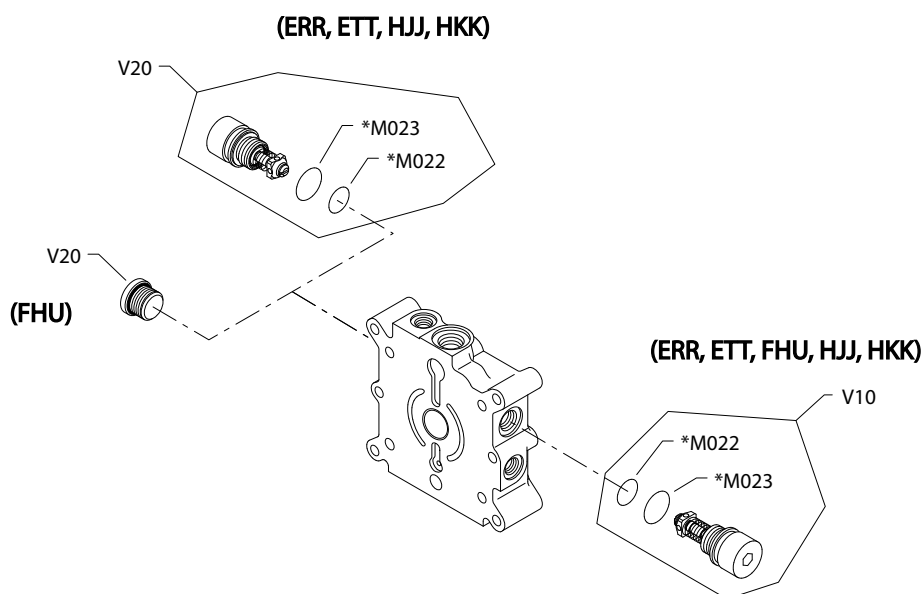
Variable displacement tandem pump*Order code: EFF*

V10	98-47		4250139	SCR valve assembly, 250 bar [3625 psi]	1
V20	98-47		4250139	SCR valve assembly, 250 bar [3625 psi]	1

Variable displacement tandem pump

MPT044D system pressure protection (rear pump) ERR-HKK

Parts configuration



* Included in overhaul seal kit Q210

Variable displacement tandem pump
Common parts

Item	Date Begin	Date End	Part Number	Part Name	Qty. per Model/Kit
M022	95-45		001131 (9004201-5000)	O-ring	2
M023	95-45		9004100-2110	O-ring	2

Order code: ERR

V10	98-47		4350673	SCR valve assembly, 325 bar [4712 psi]	1
V20	98-47		4350673	SCR valve assembly, 325 bar [4712 psi]	1

Order code: ETT

V10	98-31		4350723	SCR valve assembly, 345 bar [5000 psi]	1
V20	98-31		4350723	SCR valve assembly, 345 bar [5000 psi]	1

Order code: FHU

V10	98-31		4350637	SCR valve assembly, 300 bar [4350 psi]	1
V20	98-31		9005110-7500	Plug assembly	1

Order code: HJJ

V10	95-45		4440376	SCR valve assembly, 345 bar [5000 psi] (SB-1996-014 on page 130)	1
V20	95-45		4440376	SCR valve assembly, 345 bar [5000 psi] (SB-1996-014 on page 130)	1

Order code: HKK

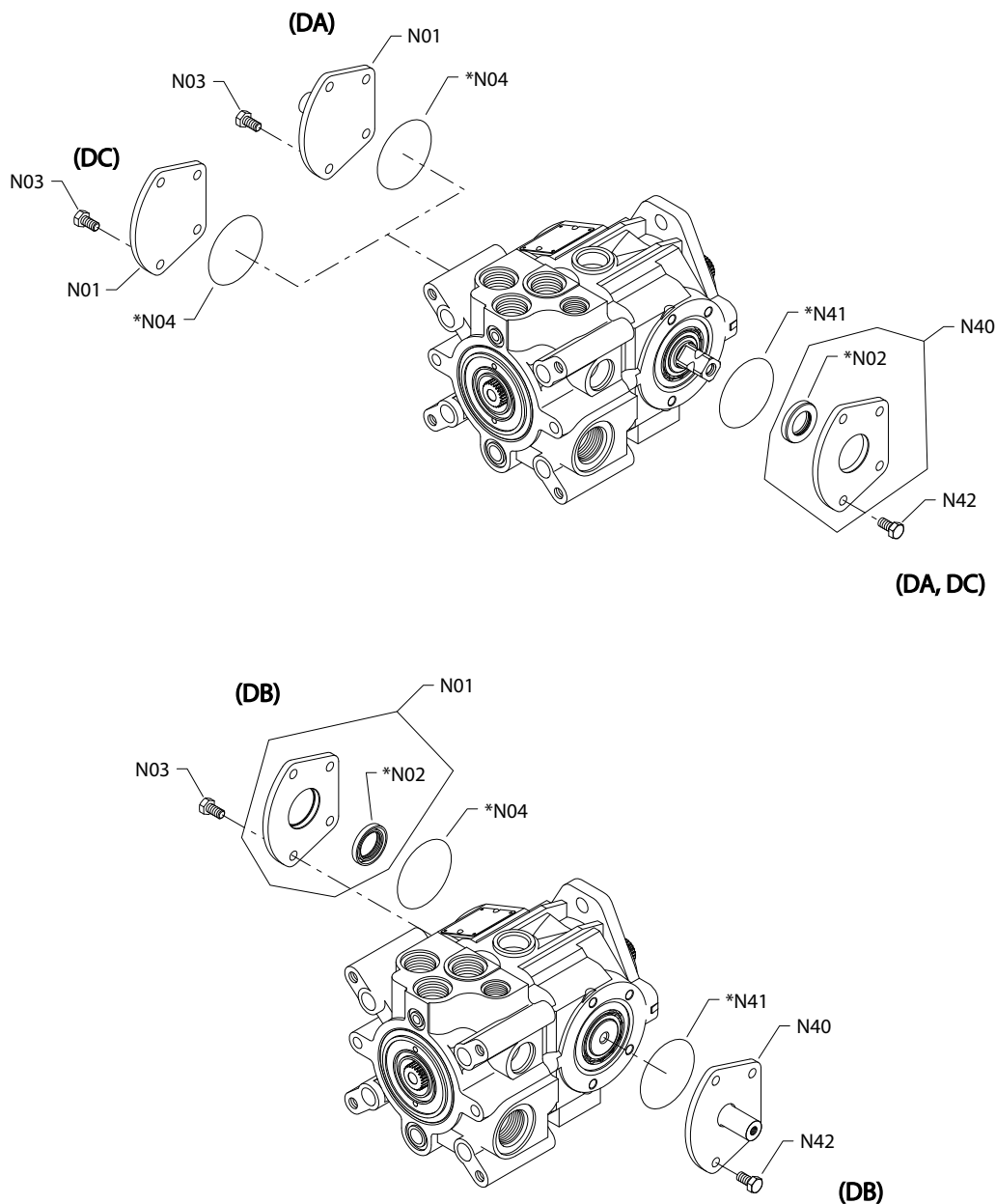
V10	95-45		11041730	SCR valve assembly, 360 bar [5220 psi] (SB-1996-014 on page 130)	1
V20	95-45		11041730	SCR valve assembly, 360 bar [5220 psi] (SB-1996-014 on page 130)	1

Variable displacement tandem pump

Direct displacement control

MPT044D DDC (front pump) DA-DC

Parts configuration



* Included in overhaul seal kit Q210

Variable displacement tandem pump

Order code: DA

Item	Date Begin	Date End	Part Number	Part Name	Qty. per Model/Kit
N01	03-07		1732161-01	Trunnion cover w/support	1
N02	03-07		5000604	Trunnion lip seal	1
N03	03-07		378083 (9007210-0804)	Screw, M8 x 16	4
N04	03-07		9004300-1460	O-ring	1
N40	03-07		4350732	Trunnion cover assembly, on left side	1
N41	03-07		9004300-1460	O-ring	1
N42	03-07		378083 (9007210-0804)	Screw, M8 x 16	4

Order code: DB

N01	03-07		4350732	Trunnion cover assembly, on right side	1
N02	03-07		5000604	Trunnion lip seal	1
N03	03-07		378083 (9007210-0804)	Screw, M8 x 16	4
N04	03-07		9004300-1460	O-ring	1
N40	03-07		1732161-01	Trunnion cover w/support	1
N41	03-07		9004300-1460	O-ring	1
N42	03-07		378083 (9007210-0804)	Screw, M8 x 16	4

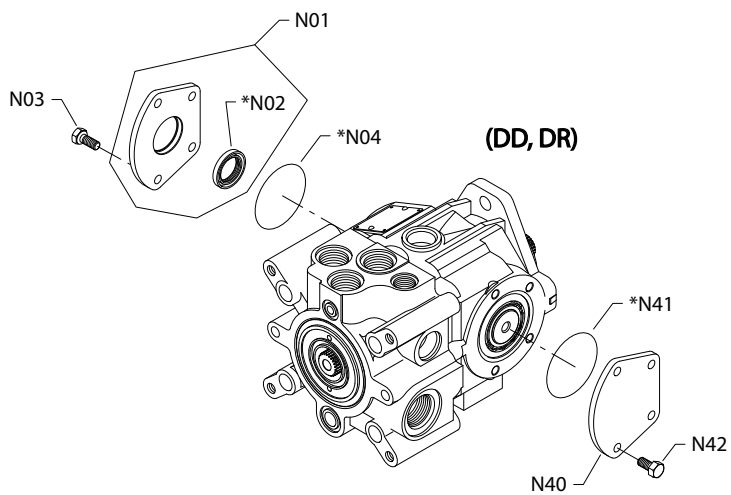
Order code: DC

N01	03-07		4250027	Trunnion cover	1
N02	03-07		5000752	Trunnion lip seal	1
N03	03-07		378083 (9007210-0804)	Screw, M8 x 16	4
N04	03-07		5000756	O-ring	1
N40	03-07		4440416	1 1/4 Trunnion cover assembly, on left side	1
N41	03-07		5000756	O-ring	1
N42	03-07		507205	Screw, M8 x 20	4

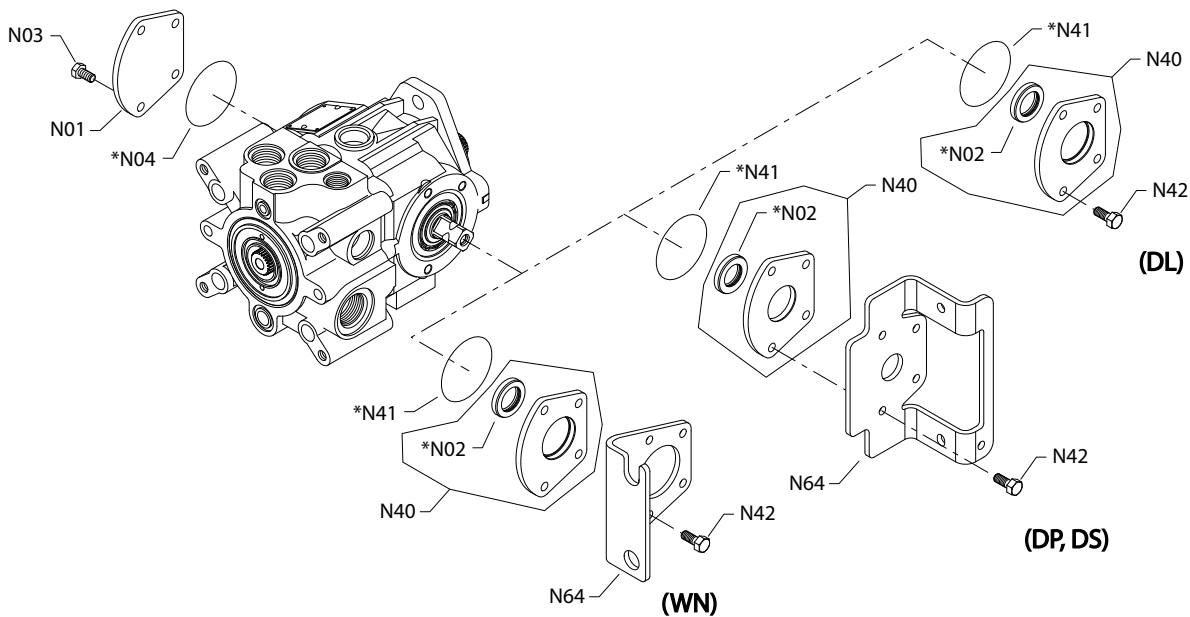
Variable displacement tandem pump

MPT044D DDC (front pump) DD-WN

Parts configuration



(DL, DP, DS, WN)



* Included in overhaul seal kit Q210

Variable displacement tandem pump

Order code: DD

Item	Date Begin	Date End	Part Number	Part Name	Qty. per Model/Kit
N01	05-39		4440416	1 1/4 Trunnion cover assembly, on left side	1
N02	05-39		5000752	Trunnion lip seal	1
N03	05-39		507205	Screw, M8 x 20	4
N04	05-39		5000756	O-ring	1
N40	05-39		4250027	Trunnion cover	1
N41	05-39		5000756	O-ring	1
N42	05-39		378083 (9007210-0804)	Screw, M8 x 16	4

Order code: DL

N01	95-45		4250027	Trunnion cover	1
N02	95-45		5000604	Trunnion lip seal (SB-2000-026A on page 135)	1
N03	95-45		378083 (9007210-0804)	Screw, M8 x 16	4
N04	95-45		9004300-1460	O-ring	1
N40	95-45		4350732	Trunnion cover assembly, on left side (SB-1999-040 on page 134)	1
N41	95-45		9004300-1460	O-ring	1
N42	95-45		378083 (9007210-0804)	Screw, M8 x 16	4

Order code: DP

N01	95-45		4250027	Trunnion cover	1
N02	95-45		5000604	Trunnion lip seal (SB-2000-026A on page 135)	1
N03	95-45		378083 (9007210-0804)	Screw, M8 x 16	4
N04	95-45		9004300-1460	O-ring	1
N40	95-45		4350732	Trunnion cover assembly, on left side (SB-1999-040 on page 134)	1
N41	95-45		9004300-1460	O-ring	1
N42	95-45		507205	Screw, M8 x 20	4
N64	95-45		4440413	Guide bracket	1

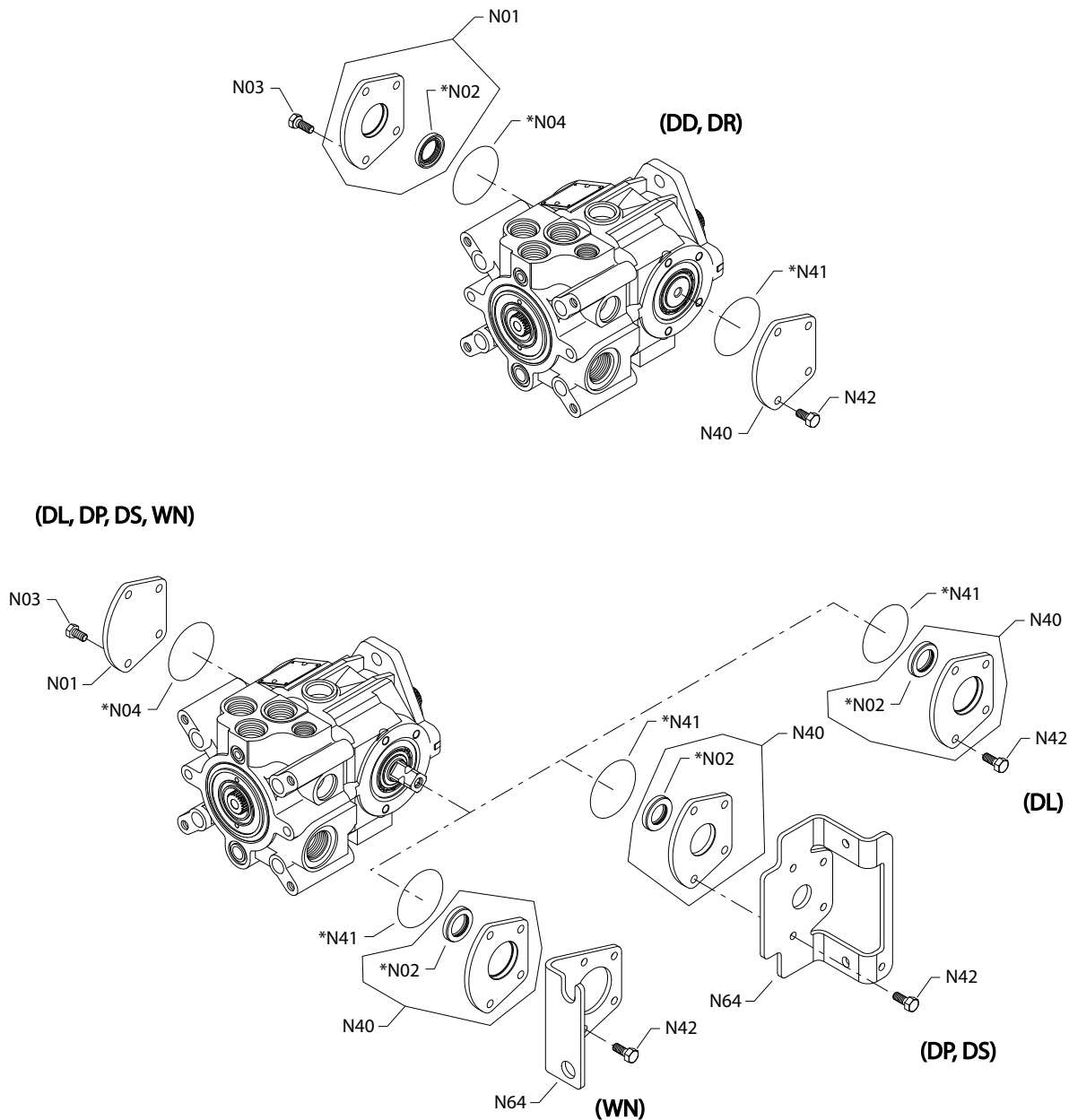
Order code: DR

N01	95-45		4350732	Trunnion cover assembly, on right side (SB-1999-040 on page 134)	1
N02	95-45		5000604	Trunnion lip seal (SB-2000-026A on page 135)	1
N03	95-45		378083 (9007210-0804)	Screw, M8 x 16	4
N04	95-45		9004300-1460	O-ring	1
N40	95-45		4250027	Trunnion cover	1
N41	95-45		9004300-1460	O-ring	1
N42	95-45		378083 (9007210-0804)	Screw, M8 x 16	4

[Parts continue to the next 2 pages.](#)

Variable displacement tandem pump

Parts configuration



* Included in overhaul seal kit Q210

Variable displacement tandem pump

Order code: DS

Item	Date Begin	Date End	Part Number	Part Name	Qty. per Model/Kit
N01	96-07		4250027	Trunnion cover	1
N02	96-07		5000604	Trunnion lip seal	1
N03	96-07		378083 (9007210-0804)	Screw, M8 x 16	4
N04	96-07		9004300-1460	O-ring	1
N40	96-07		4350732	Trunnion cover assembly, on left side	1
N41	96-07		9004300-1460	O-ring	1
N42	96-07		507205	Screw, M8 x 20	4
N64	96-07		4440413	Front guide bracket	1

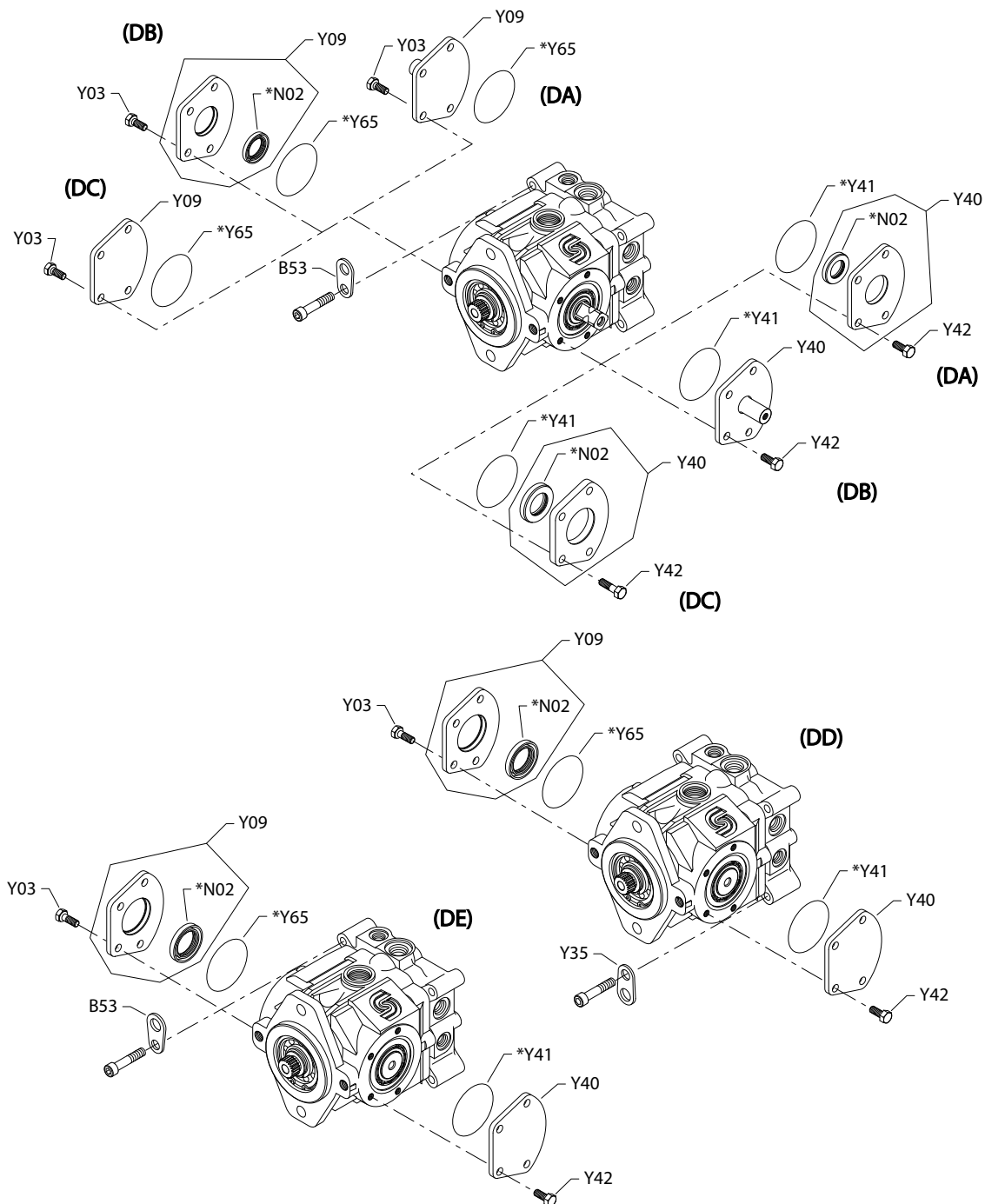
Order code: WN

N01	15-44		4250027	Trunnion cover	1
N02	15-44		5000604	Trunnion lip seal	1
N03	15-44		378083 (9007210-0804)	Screw, M8 x 16	4
N04	15-44		9004300-1460	O-ring	1
N40	15-44		4350732	Trunnion cover assembly, on left side	1
N41	15-44		9004300-1460	O-ring	1
N42	15-44		507205	Screw, M8 x 20	4
N61	15-44		11183943	Front guide bracket	1

Variable displacement tandem pump

MPT044D DDC (rear pump) DA-DE

Parts configuration



* Included in overhaul seal kit Q210

Variable displacement tandem pump

Order code: DA

Item	Date Begin	Date End	Part Number	Part Name	Qty. per Model/Kit
B53	03-07		8800565	Lifting bracket	1
N02	03-07		5000604	Trunnion lip seal	1
Y03	03-07		378083 (9007210-0804)	Screw, M8 x 16	4
Y09	03-07		1732161-01	Trunnion cover w/support	1
Y40	03-07		4350732	Trunnion cover assembly, on left side	1
Y41	03-07		9004300-1460	O-ring	1
Y42	03-07		378083 (9007210-0804)	Screw, M8 x 16	4
Y65	03-07		9004300-1460	O-ring	1

Order code: DB

B53	03-07		8800565	Lifting bracket	1
N02	03-07		5000604	Trunnion lip seal	1
Y03	03-07		378083 (9007210-0804)	Screw, M8 x 16	4
Y09	03-07		4350732	Trunnion cover assembly, on right side	1
Y40	03-07		1732161-01	Trunnion cover w/support	1
Y41	03-07		9004300-1460	O-ring	1
Y42	03-07		378083 (9007210-0804)	Screw, M8 x 16	4
Y65	03-07		9004300-1460	O-ring	1

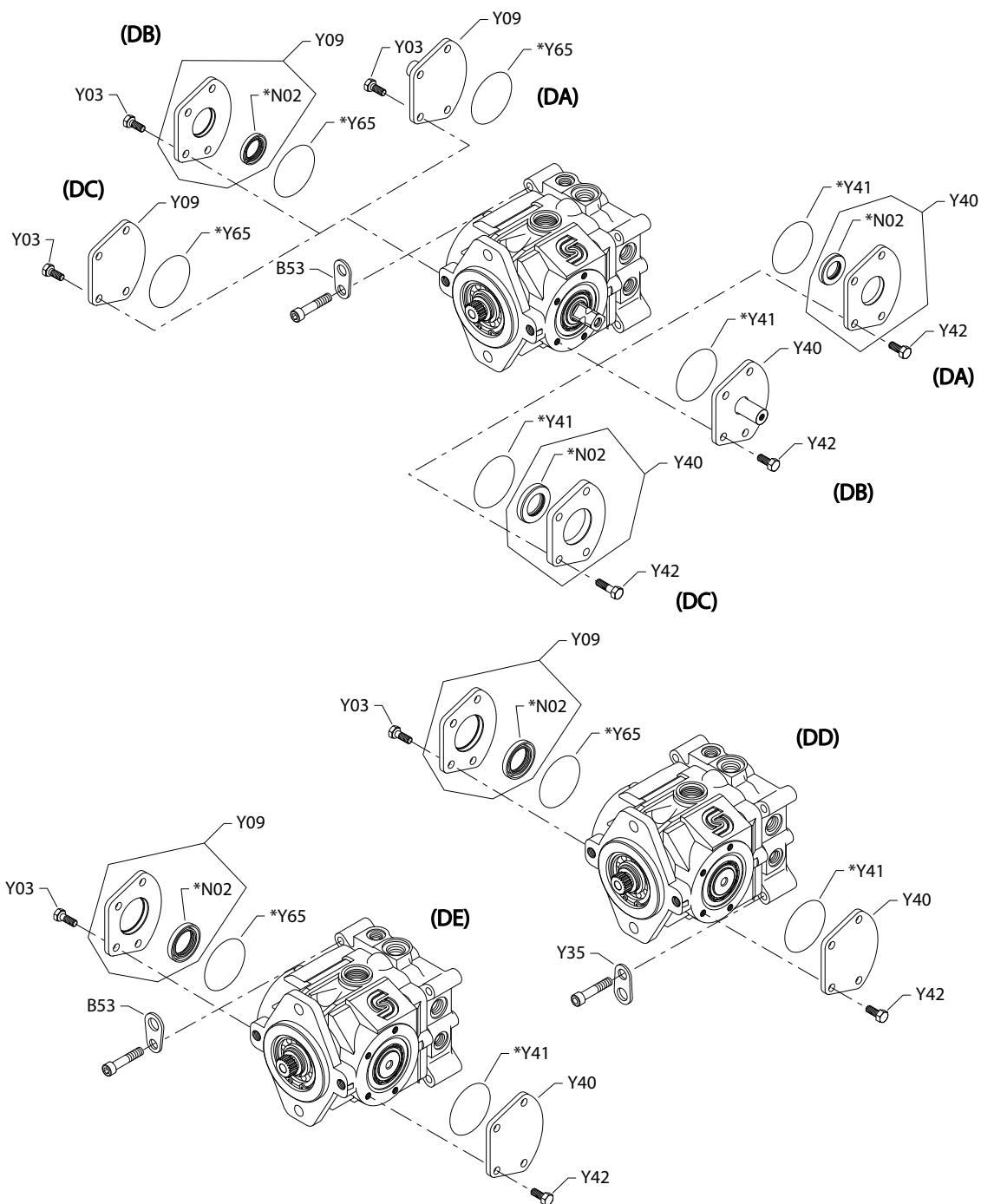
Order code: DC

B53	05-39		8800565	Lifting bracket	1
N02	05-39		5000752	Trunnion lip seal	1
Y03	05-39		378083 (9007210-0804)	Screw, M8 x 16	4
Y09	05-39		4250027	Trunnion cover	1
Y40	05-39		4440416	Trunnion cover assembly, on left side	1
Y41	05-39		5000756	O-ring	1
Y42	05-39		507205	Screw, M8 x 20	4
Y65	05-39		5000756	O-ring	1

[Parts continue to the next 2 pages.](#)

Variable displacement tandem pump

Parts configuration



* Included in overhaul seal kit Q210

Variable displacement tandem pump

Order code: DD

Item	Date Begin	Date End	Part Number	Part Name	Qty. per Model/Kit
N02	05-39		5000752	Trunnion lip seal	1
Y03	05-39		507205	Screw, M8 x 20	4
Y09	05-39		4440416	Trunnion cover assembly, on right side	1
Y35	05-39		8800565	Lifting bracket	1
Y40	05-39		4250027	Trunnion cover	1
Y41	05-39		5000756	O-ring	1
Y42	05-39		378083 (9007210-0804)	Screw, M8 x 16	4
Y65	05-39		5000756	O-ring	1

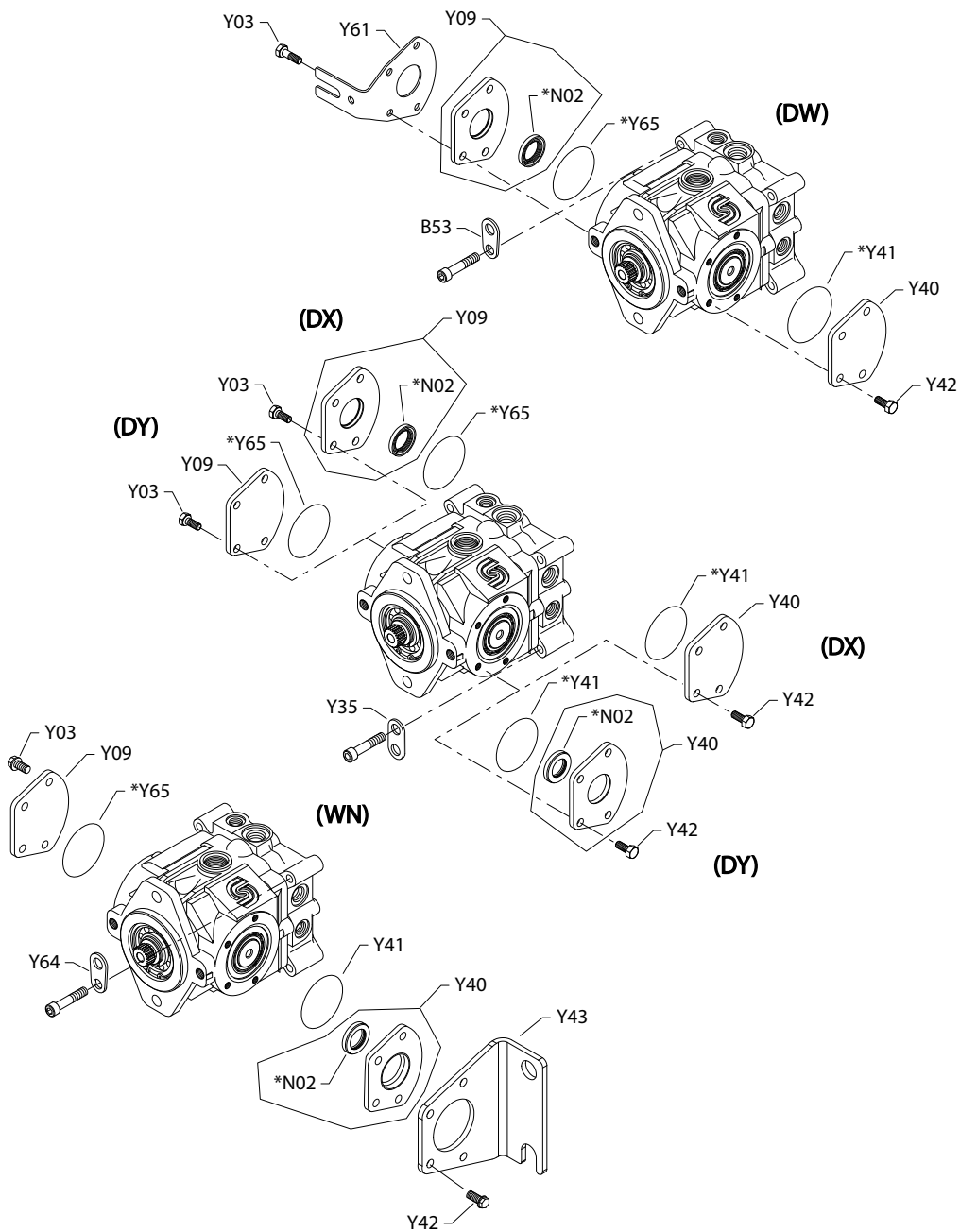
Order code: DE

B53	15-52		8800565	Lifting bracket	1
N02	15-52		5000604	Trunnion lip seal	1
Y03	15-52		507205	Screw, M8 x 20	4
Y09	15-52		4440416	Trunnion cover assembly, on right side	1
Y40	15-52		4250027	Trunnion cover	1
Y41	15-52		5000756	O-ring	1
Y42	15-52		378083 (9007210-0804)	Screw, M8 x 16	4
Y65	15-52		5000756	O-ring	1

Variable displacement tandem pump

MPT044D DDC (rear pump) DW-WN

Parts configuration



* Included in overhaul seal kit Q210

Variable displacement tandem pump

Order code: DW

Item	Date Begin	Date End	Part Number	Part Name	Qty. per Model/Kit
B53	96-07		8800565	Lifting bracket	1
N02	96-07		5000604	Trunnion lip seal	1
Y03	96-07		507205	Screw, M8 x 20	4
Y09	96-07		4350732	Trunnion cover assembly, on right side	1
Y40	96-07		4250027	Trunnion cover	1
Y41	96-07		9004300-1460	O-ring	1
Y42	96-07		378083 (9007210-0804)	Screw, M8 x 16	4
Y61	98-24		4350761	Trunnion bracket	1
Y65	96-07		9004300-1460	O-ring	1

Order code: DX

N02	99-22		5000604	Trunnion lip seal (SB-2000-026A on page 135)	1
Y03	99-22		378083 (9007210-0804)	Screw, M8 x 16	4
Y09	99-22		4350732	Trunnion cover assembly, on right side	1
Y35	99-22		8800565	Lifting bracket	1
Y40	99-22		4250027	Trunnion cover	1
Y41	99-22		9004300-1460	O-ring	1
Y42	99-22		378083 (9007210-0804)	Screw, M8 x 16	4
Y65	99-22		9004300-1460	O-ring	1

Order code: DY

N02	96-28		5000604	Trunnion lip seal (SB-2000-026A on page 135)	1
Y03	96-28		378083 (9007210-0804)	Screw, M8 x 16	4
Y09	96-28		4250027	Trunnion cover	1
Y35	96-28		8800565	Lifting bracket	1
Y40	96-28		4350732	Trunnion cover assembly, on left side (SB-1999-040 on page 134)	1
Y41	96-28		9004300-1460	O-ring	1
Y42	96-28		378083 (9007210-0804)	Screw, M8 x 16	4
Y65	96-28		9004300-1460	O-ring	1

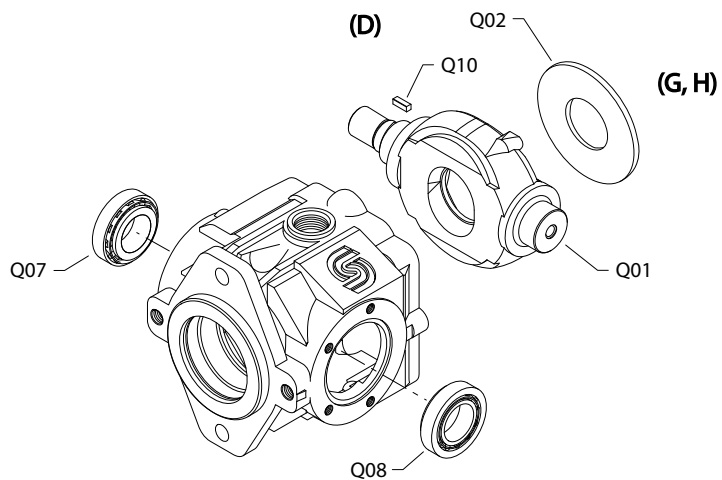
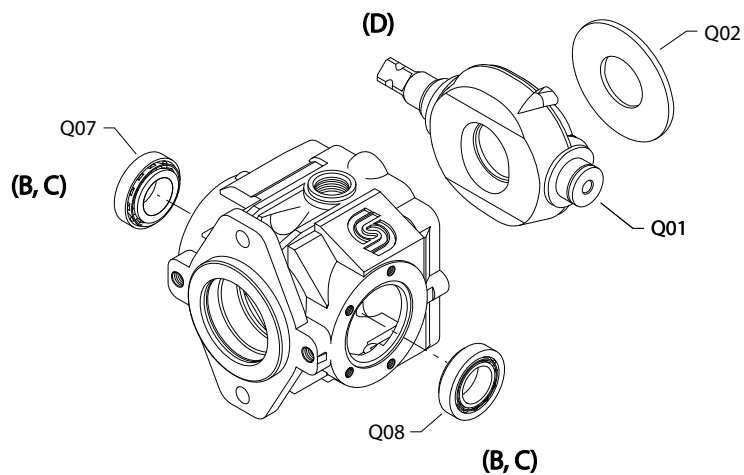
Order code: WN

N02	96-07		5000604	Trunnion lip seal	1
Y03	96-07		378083 (9007210-0804)	Screw, M8 x 16	4
Y09	96-07		4250027	Trunnion cover	1
Y40	96-07		4350732	Trunnion cover assembly, on left side	1
Y41	96-07		9004300-1460	O-ring	1
Y42	96-07		507205	Screw, M8 x 20	4
Y43	96-07		11171922	Bracket	1
Y64	96-07		8800565	Lifting bracket	1
Y65	96-07		9004300-1460	O-ring	1

Variable displacement tandem pump

MPT044D rear pump swashplate

Parts configuration



Variable displacement tandem pump

Order code: B

Item	Date Begin	Date End	Part Number	Part Name	Qty. per Model/Kit
Q01	95-45		11166719	Swashplate, tapped	1
Q02	95-45		4350148	Thrust plate	1
Q07	95-45		4800470	Bearing kit	1
Q08	95-45		4800470	Bearing kit	1

Order code: E

Q01	02-32		4440275	Swashplate	1
Q02	02-32		4350148	Thrust plate	1
Q07	02-32		4800470	Bearing kit	1
Q08	02-32		4800470	Bearing kit	1

Order code: G

Q01	03-07		4350823	Swashplate, 24 mm diameter keyed, 14.6°	1
Q02	03-07		4350148	Thrust plate	1
Q07	03-07		4800470	Bearing kit	1
Q08	03-07		4800470	Bearing kit	1
Q10	03-07		1040275	Key	1

Order code: H

Q01	03-07		4350822	Swashplate, 24 mm diameter keyed, 16°	1
Q02	03-07		4350148	Thrust plate	1
Q07	03-07		4800470	Bearing kit	1
Q08	03-07		4800470	Bearing kit	1
Q10	03-07		1040275	Key	1

Order code: J

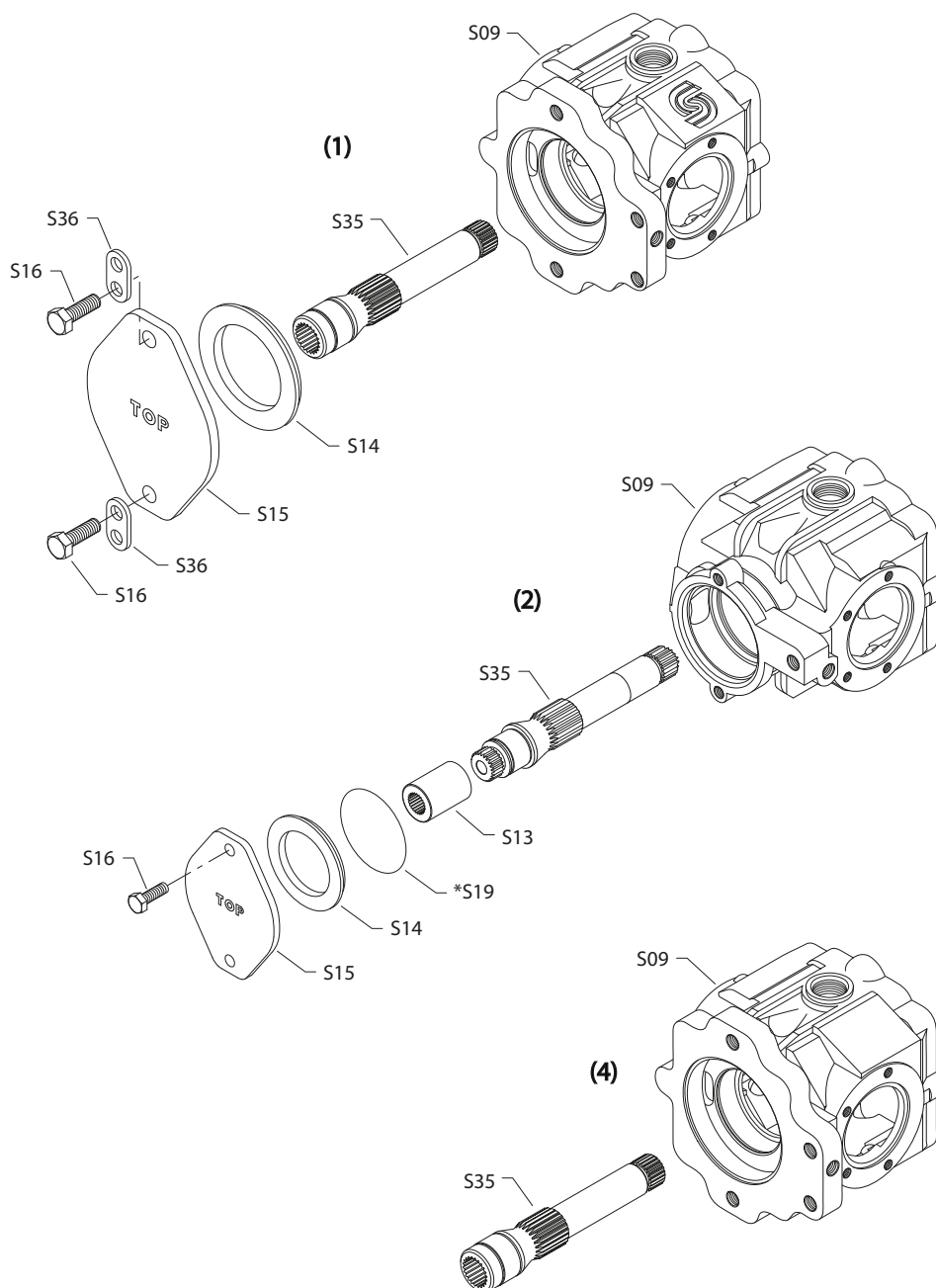
Q01	03-26		11166719	Swashplate, tapped	1
Q02	03-26		4350148	Thrust plate	1
Q07	03-26		4800470	Bearing kit	1
Q08	03-26		4800470	Bearing kit	1

Variable displacement tandem pump

Auxiliary mounting flange

MPT044D aux mounting flange 1-4

Parts configuration



* Included in overhaul seal kit Q210

Variable displacement tandem pump

Order code: 1

Item	Date Begin	Date End	Part Number	Part Name	Qty. per Model/Kit
S09	01-20		4440421	Housing	1
S14	01-20		8801061	B pad seal	1
S15	01-20		8801059	Cover plate	1
S16	01-20		9007200-5022	Screw	2
S35	01-20		4440194	Shaft, rear	1
S36	01-20		9801000	Lifting bracket	2

Order code: 2

S09	04-22		4350382	Housing	1
S13	04-22		4350189	Coupling, 9-tooth spline	1
S14	04-22		4800482	A pad seal	1
S15	04-22		4460586	Cover plate	1
S16	04-22		9007200-3716	Screw	2
S19	04-22		5000373	O-ring	1
S35	04-22		4350426	Shaft, rear	1

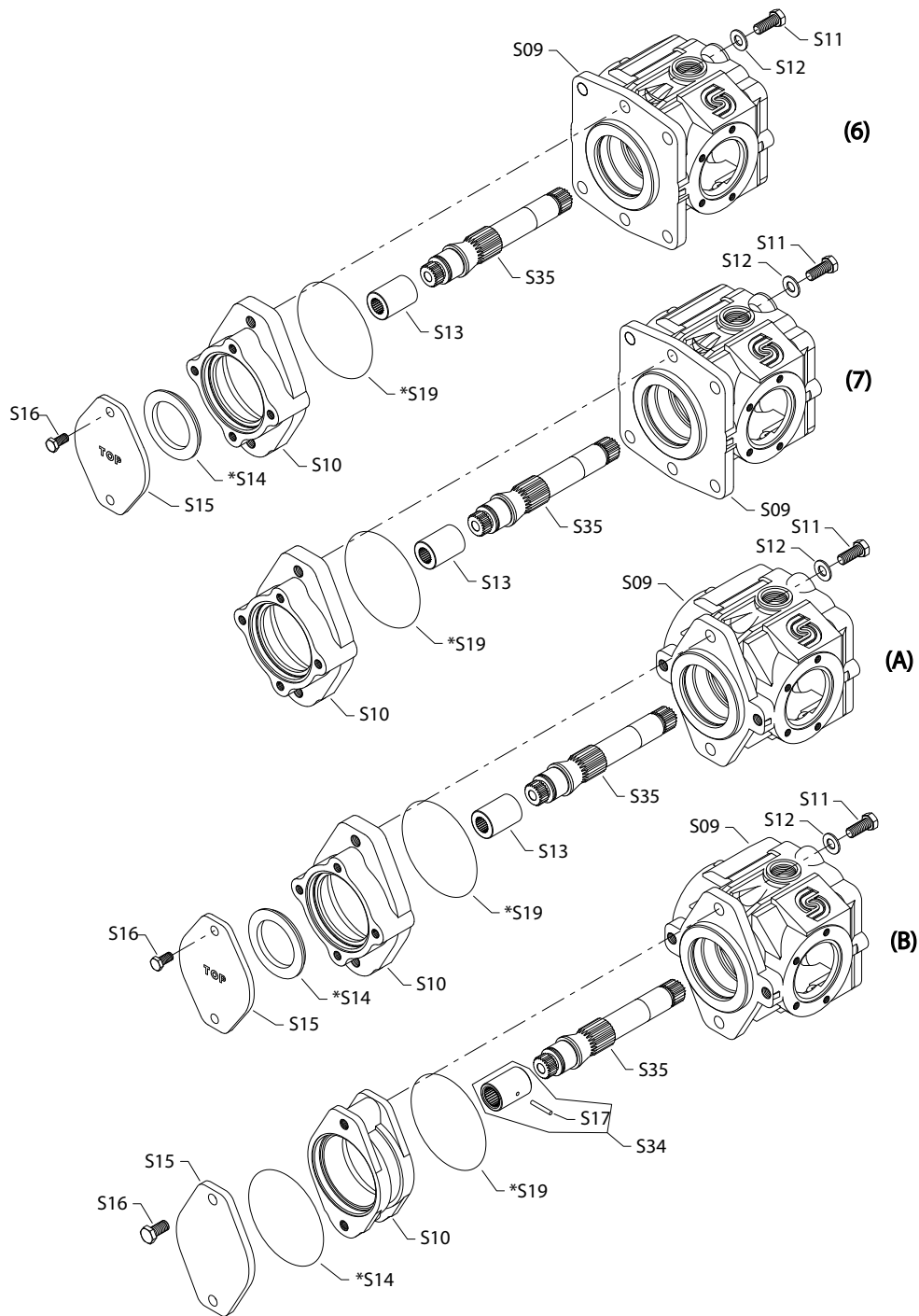
Order code: 4

S09	02-38		4440421	Housing	1
S35	02-38		4440194	Shaft, rear	1

Variable displacement tandem pump

MPT044D aux mounting 6, 7, A, B

Parts configuration



* Included in overhaul seal kit Q210

Variable displacement tandem pump

Order code: 6

Item	Date Begin	Date End	Part Number	Part Name	Qty. per Model/Kit
S09	03-18		4350824	Housing	1
S10	95-45		4800161	A flange adapter	1
S11	95-45		9007200-5022	Screw	2
S12	95-45		9009600-5391	Washer	2
S13	95-45		4350113	Coupling, 9-tooth spline	1
S14	95-45		4800482	A pad seal (5000373)	1
S15	95-45		4460586	Cover plate	1
S16	95-45		9007200-3716	Screw	2
S19	95-45		9004100-1550	O-ring	1
S35	95-45		4350426	Shaft, rear	1

Order code: 7

S09	04-50		4350824	Housing	1
S10	95-45		4800161	A flange adapter	1
S11	95-45		9007200-5022	Screw	2
S12	95-45		9009600-5391	Washer	2
S13	95-45		4350113	Coupling, 9-tooth spline	1
S19	95-45		9004100-1550	O-ring	1
S35	95-45		4350426	Shaft, rear	1

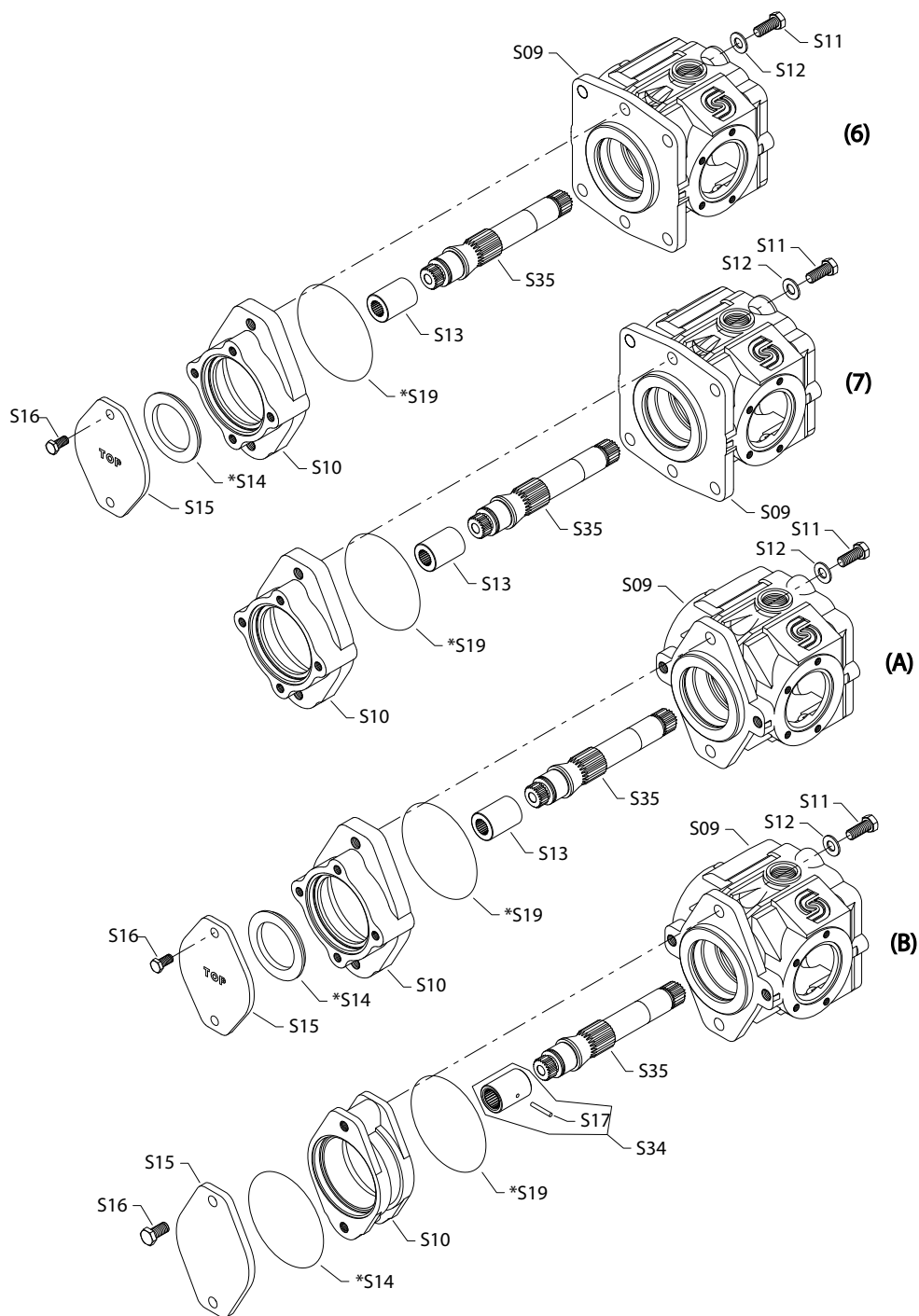
Order code: A

S09	95-45		4350350	Housing	1
S10	95-45		4800161	A flange adapter	1
S11	95-45		9007200-5022	Screw	2
S12	95-45		9009600-5391	Washer	2
S13	95-45		4350113	Coupling, 9-tooth spline	1
S14	95-45		4800482	A pad seal	1
S15	95-45		4460586	Cover plate	1
S16	95-45		9007200-3716	Screw	2
S19	95-45		9004100-1550	O-ring	1
S35	95-45		4350426	Shaft, rear	1

[Parts continue to the next 2 pages.](#)

Variable displacement tandem pump

Parts configuration



* Included in overhaul seal kit Q210

Variable displacement tandem pump

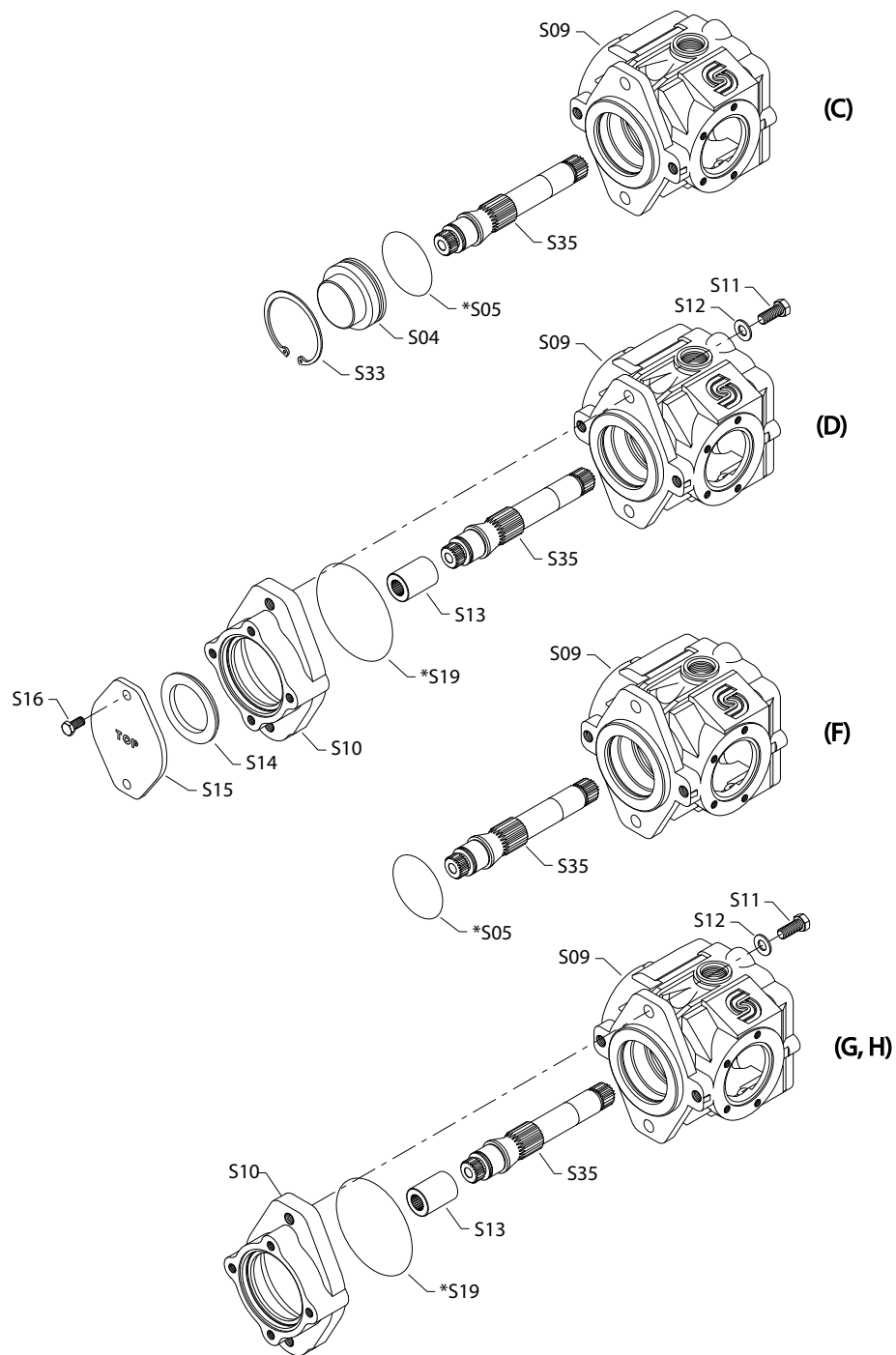
Order code: B

Item	Date Begin	Date End	Part Number	Part Name	Qty. per Model/Kit
S09	95-45		4350350	Housing	1
S10	95-45		4800162	B flange adapter	1
S11	95-45		9007200-5022	Screw, with locking compound	2
S12	95-45		9009600-5391	Washer	2
S14	05-22		8801061	B pad seal	1
S14	95-45	05-21	9004100-1550	O-ring	1
S15	05-22		8801059	Cover plate	1
S15	95-45	05-21	4460370	Cover plate	1
S16	95-45		9007200-5022	Screw, with locking compound	2
S17	95-45		9004700-1222	Pin	1
S19	95-45		9004100-1550	O-ring	1
S34	95-45		4350691	Coupling assembly, 13-tooth spline	1
S35	95-45		4350426	Shaft, rear	1

Variable displacement tandem pump

MPT044D aux mounting C-H

Parts configuration



* Included in overhaul seal kit Q210

Variable displacement tandem pump

Order code: C

Item	Date Begin	Date End	Part Number	Part Name	Qty. per Model/Kit
S04	95-45		4350689	Cover plate	1
S05	95-45		9004100-1460	O-ring	1
S09	95-45		4350350	Housing	1
S33	95-45		9006200-0281	Retaining ring	1
S35	95-45		4350426	Shaft, rear	1

Order code: D

S09	95-45		4350350	Housing	1
S10	95-45		4800183	A flange adapter	1
S11	95-45		9007200-5022	Screw, with locking compound	2
S12	95-45		9009600-5391	Washer	2
S13	95-45		4350189	Coupling, 11-tooth spline	1
S14	95-45		4800482	A pad seal	1
S15	95-45		4460586	Cover plate	1
S16	95-45		9007200-3716	Screw	2
S19	95-45		9004100-1550	O-ring	1
S35	95-45		4350426	Shaft, rear	1

Order code: F

S09	96-03		4350350	Housing	1
S19	96-03		9004100-0440	O-ring	1
S35	96-03		4350426	Shaft, rear	1

Order code: G

S09	97-06		4350350	Housing	1
S10	97-06		4800183	A flange adapter	1
S11	97-06		9007200-5022	Screw, with locking compound	2
S12	97-06		9009600-5391	Washer	2
S13	97-06		4350189	Coupling, 11-tooth spline	1
S19	97-06		9004100-1550	O-ring	1
S35	97-06		4350426	Shaft, rear	1

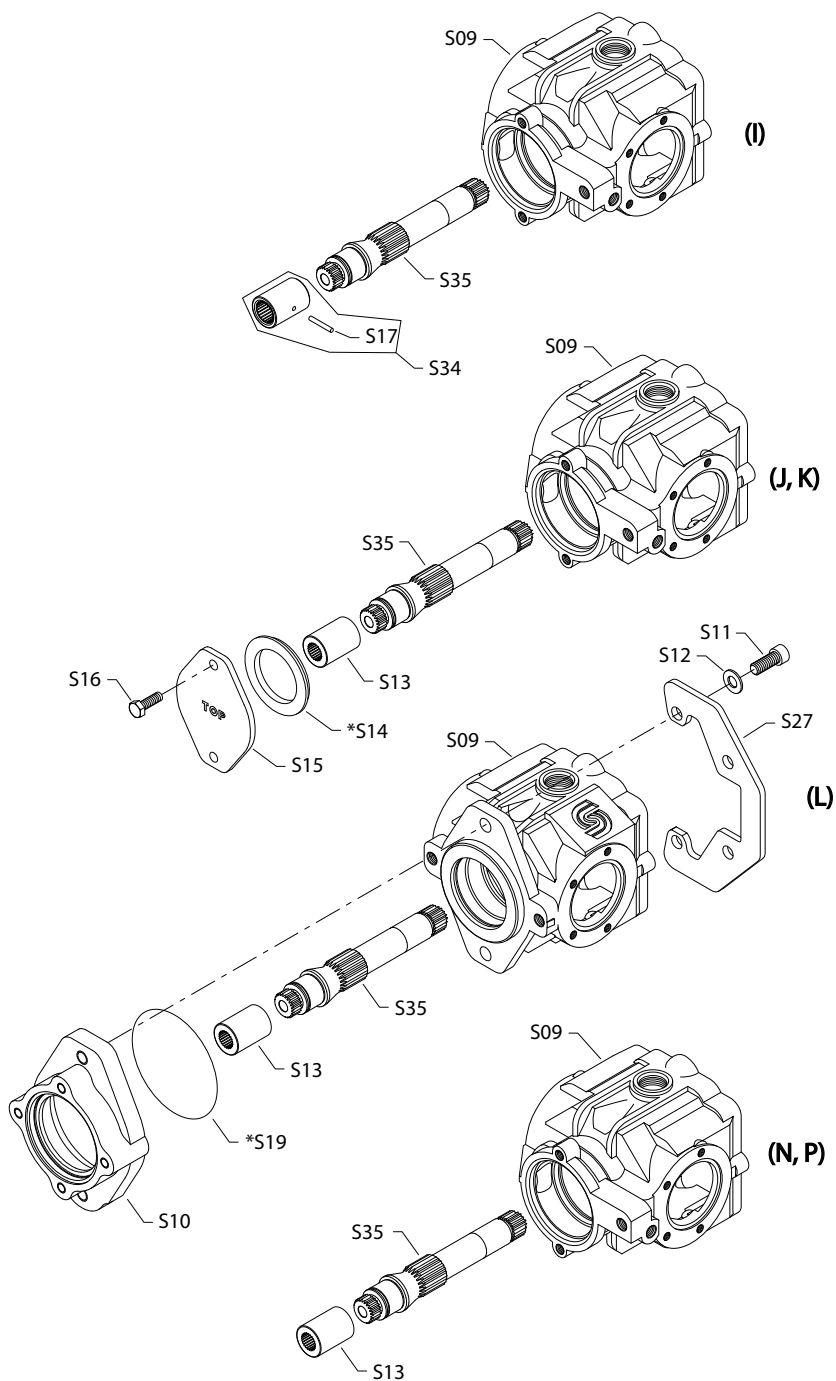
Order code: H

S09	97-06		4350350	Housing	1
S10	97-06		4800161	A flange adapter	1
S11	97-06		9007200-5022	Screw, with locking compound	2
S12	97-06		9009600-5391	Washer	2
S13	97-06		4350113	Coupling, 9-tooth spline	1
S19	97-06		9004100-1550	O-ring	1
S35	97-06		4350426	Shaft, rear	1

Variable displacement tandem pump

S40 MPT aux mounting H-P

Parts configuration



* Included in overhaul seal kit Q210

Variable displacement tandem pump

Order code: I

Item	Date Begin	Date End	Part Number	Part Name	Qty. Model/Kit
S09	08-45		4350382	Housing	1
S14	08-45		4800482	A pad seal	1
S15	08-45		4460586	Cover plate	1
S16	08-45		9007200-3716	Screw	2
S17	08-45		9004700-1222	Pin	1
S34	08-45		4350691	Coupling assembly, 13-tooth spline	1
S35	08-45		4350426	Shaft, rear	1

Order code: J

S09	96-22		4350382	Housing	1
S13	96-22		4350113	Coupling, 9-tooth spline	1
S14	96-22		4800482	A pad seal	1
S15	96-22		4460586	Cover plate	1
S16	96-22		9007200-3716	Screw	2
S35	96-22		4350426	Shaft, rear	1

Order code: K

S09	96-22		4350382	Housing	1
S13	96-22		4350189	Coupling, 11-tooth spline	1
S14	96-22		4800482	A pad seal	1
S15	96-22		4460586	Cover plate	1
S16	96-22		9007200-3716	Screw	2
S35	96-22		4350426	Shaft, rear	1

Order code: L

S09	97-13		4350350	Housing	1
S10	97-13		4800183	A flange adapter	1
S11	97-13		9007300-5024	Screw	2
S12	97-13		9009600-5391	Washer	2
S13	97-13		762534 (4350189)	Coupling, 11-tooth spline	1
S19	97-13		9004100-1550	O-ring	1
S27	97-13		6713377	Mounting bracket	1
S35	97-13		4350426	Shaft, rear	1

Order code: N

S09	95-45		4350382	Housing	1
S13	95-45		4350113	Coupling, 9-tooth spline	1
S35	95-45		4350426	Shaft, rear	1

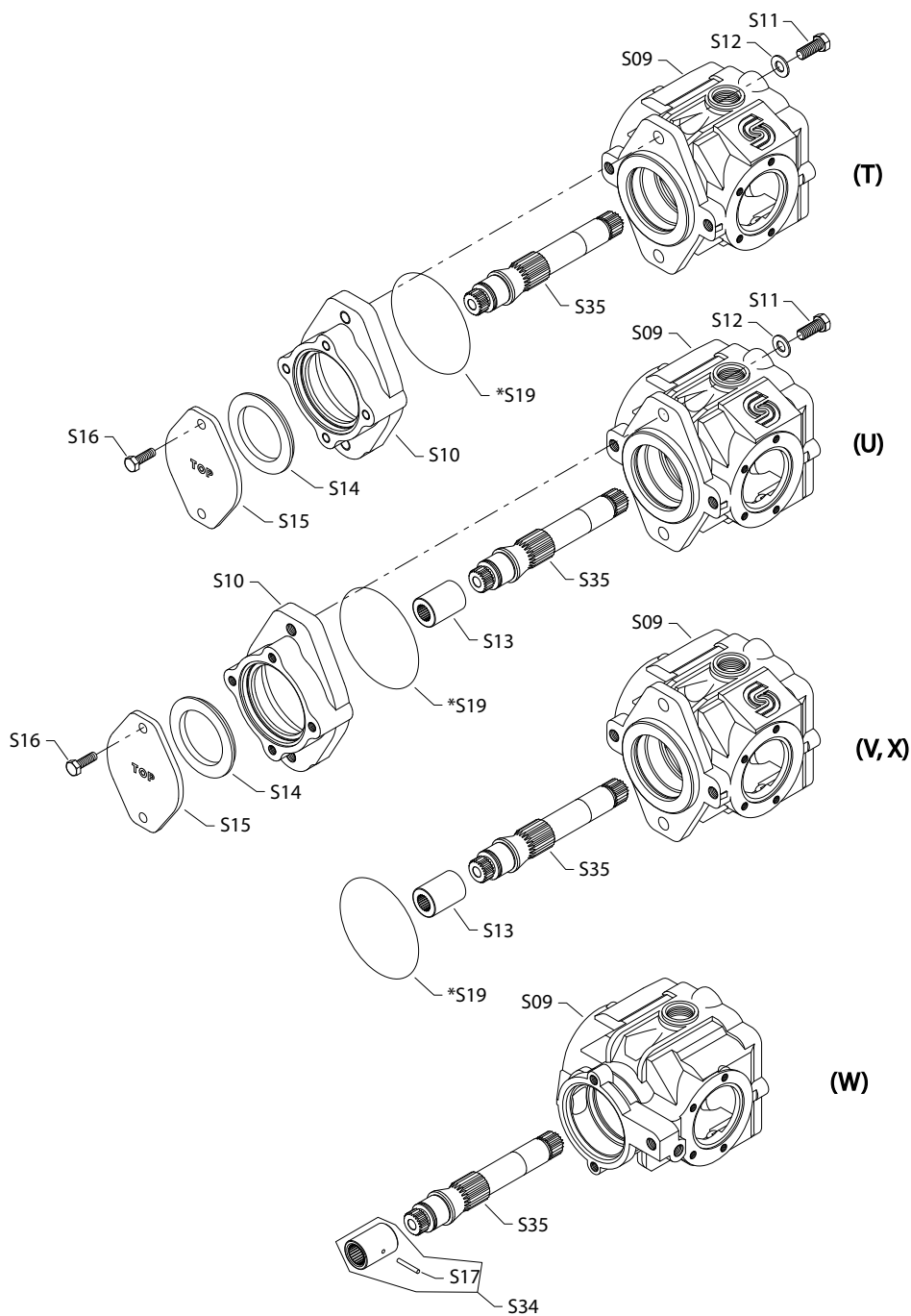
Order code: P

S09	95-45		4350382	Housing	1
S13	95-45		4350189	Coupling, 11-tooth spline	1
S35	95-45		4350426	Shaft, rear	1

Variable displacement tandem pump

MPT044D aux mounting T-X

Parts configuration



* Included in overhaul seal kit Q210

Variable displacement tandem pump

Order code: T

Item	Date Begin	Date End	Part Number	Part Name	Qty. per Model/Kit
S09	98-25		4350350	Housing	1
S10	98-25		4800183	A flange adapter	1
S11	98-25		9007200-5022	Screw	2
S12	98-25		9009600-5391	Washer	2
S14	98-25		4800482	A pad seal	1
S15	98-25		4460586	Cover plate	1
S16	98-25		9007200-3716	Screw	2
S19	98-25		9004100-1550	O-ring	1
S35	98-25		4350426	Shaft, rear	1

Order code: U

S09	08-45		4350350	Housing	1
S10	08-45		4800183	A flange adapter	1
S11	08-45		9007200-5022	Screw	2
S12	08-45		9009600-5391	Washer	2
S13	99-13		4440108	Coupling, 11-tooth spline, 2.05 long	1
S14	08-45		4800482	A pad seal	1
S15	08-45		4460586	Cover plate	1
S16	08-45		9007200-3716	Screw	2
S19	08-45		9004100-1550	O-ring	1
S35	08-45		4350426	Shaft, rear	1

Order code: V

S09	99-13		4350350	Housing	1
S13	99-13		4440108	Coupling, 11-tooth spline, 2.05 long	1
S19	99-13		9004100-0440	O-ring	1
S35	99-13		4350426	Shaft, rear	1

Order code: W

S09	99-47		4350382	Housing	1
S17	99-47		509149 (9004700-1222)	Pin	1
S34	99-47		4350691	Coupling assembly, 13 tooth	1
S35	99-47		4350426	Shaft, rear	1

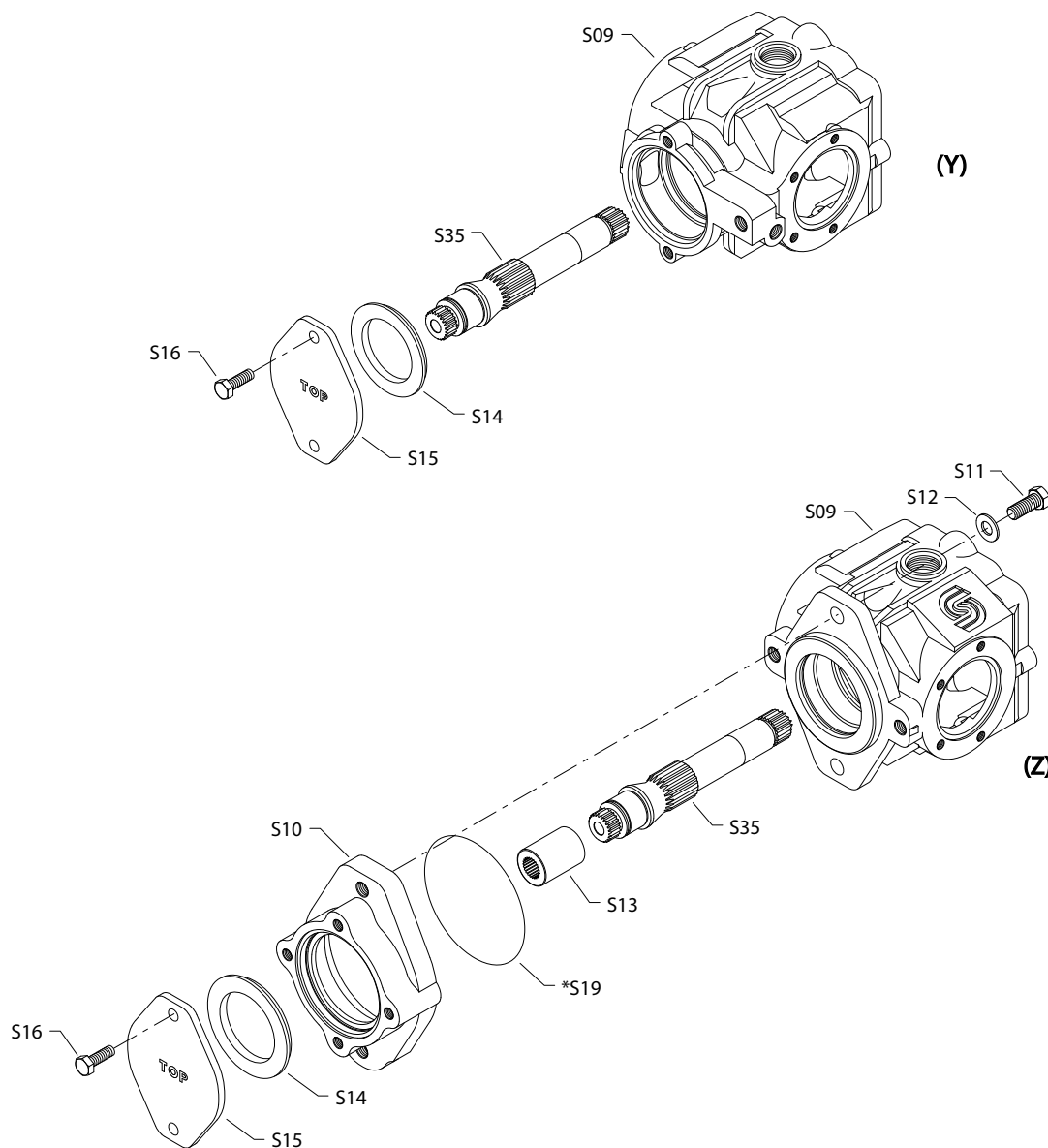
Order code: X

S09	99-24		4350350	Housing	1
S13	99-24		4440007	Coupling, 13-tooth spline, 2.23 long	1
S19	99-24		9004100-0440	O-ring	1
S35	99-24		4350426	Shaft, rear	1

Variable displacement tandem pump

MPT044D aux mounting Y, Z

Parts configuration



* Included in overhaul seal kit Q210

Variable displacement tandem pump

Order code: Y

Item	Date Begin	Date End	Part Number	Part Name	Qty. per Model/Kit
S09	02-42		4350382	Housing	1
S14	02-42		4800482	A pad seal	1
S15	02-42		4460586	Cover plate	1
S16	02-42		9007200-3716	Screw	2
S35	02-42		4350426	Shaft, rear	1

Order code: Z

S09	08-45		4350350	Housing	1
S10	08-45		4800183	A flange adapter	1
S11	08-45		9007200-5022	Screw	2
S12	08-45		9009600-5391	Washer	2
S13	99-13		4440007	Coupling, 13-tooth spline, 2.23 long	1
S14	08-45		4800482	A pad seal	1
S15	08-45		4460586	Cover plate	1
S16	08-45		9007200-3716	Screw	2
S19	08-45		9004100-1550	O-ring	1
S35	08-45		4350426	Shaft, rear	1

Variable displacement tandem pump

S40 MPT overhaul seal kit

Item	Date Begin	Date End	Part Number	Part Name	Qty. per Model/Kit
Q210	95-45		11181821	Overhaul seal kit, MPT035/44D	1
B02	95-45		5000689	Lip seal (SB-2003-018 on page 137)	1
B37	95-45		4350145	End cap gasket	1
B80	95-45		4350145	End cap gasket	1
G06	95-45		5000352	O-ring, .139 x 1.609, nitrile, 90D	1
G06	95-45		9004100-1310	O-ring, .103 x 1.674, nitrile, 70D	1
G07	95-45		9004100-1530	O-ring, .103 x 3.487, nitrile, 70D	1
G07	95-45		9004100-2370	O-ring, .139 x 3.359, nitrile, 70D	1
H01A	95-45		001149 (9004201-6200)	O-ring, .097 x .755, nitrile, 90D	1
J11	95-45		511852 (9004100-1140)	O-ring, .103 x .612, nitrile, 70D	1
J12	95-45		511853 (9004100-1180)	O-ring, .103 x .862, nitrile, 70D	1
M022	95-45		001131 (9004201-5000)	O-ring, .087 x .644, nitrile, 90D	2
M023	95-45		9004100-2110	O-ring, .139 x .796, nitrile, 70D	2
N02	95-45		5000604	Trunnion lip seal	2
N04	95-45		9004300-1460	O-ring, rectangular	1
N41	95-45		9004300-1460	O-ring, rectangular	1
S05	95-45		9004100-1460	O-ring, .103 x 2.612, nitrile, 70D	1
S14	95-45		5000373	O-ring, .103 x 3.237, nitrile, 90D	1
S14	95-45		9004100-1550	O-ring, .103 x 3.987, nitrile, 70D	1
S19	95-45		9004100-1550	O-ring, .103 x 3.987, nitrile, 70D	1
Y41	95-45		9004300-1460	O-ring, rectangular	1
Y65	95-45		9004300-1460	O-ring, rectangular	1

Service bulletin

SB-1996-014

Products affected

Series 40: M25, M35, M44 pumps and tandem pumps

Subject

Redesign of the retention method in check valve assemblies

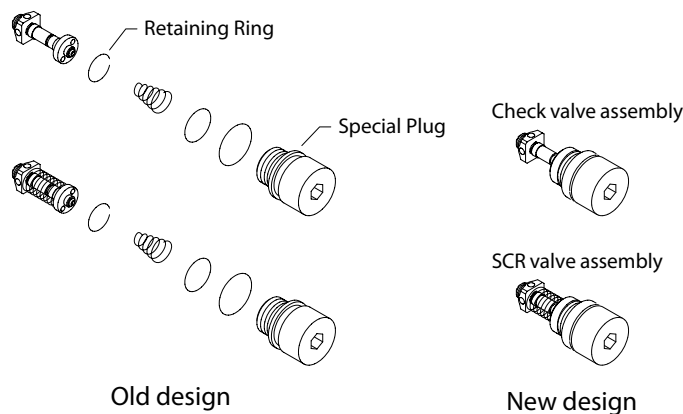
Description

As a product improvement, Danfoss changed the retention method in the check valve assembly, and SCR valve assembly. The old design allowed the check valve and SCR valve assembly to be disassembled. That retention method had the potential to hang up the valves on the retaining ring.

In the new design, the retaining ring will not hang up on the valve; however, it does not allow the assembly to be taken apart.

All new repairs, conversions, or purchases of a check valve or SCR valve require the entire assembly be exchanged.

The new and old assemblies are totally interchangeable. The special plug part number 4350182, and the internal retaining ring part number 4350183, are obsolete. They are no longer available as service parts.



Models affected

All series 40: M25, M35, and M44 single and tandem pumps

Serial numbers

This change became effective at serial number 96-40-xxxxx

Part numbers affected

Description	Old part number	New part number	Relief valve set point
Poppet-check valve assembly	3103348	4350634	N/A
SCR valve assembly	3103375-0140	4350635	140 bar [2030 psi]
SCR valve assembly	3103375-0175	4350643	175 bar [2528 psi]
SCR valve assembly	3103375-0190	4350642	190 bar [2755 psi]
SCR valve assembly	3103375-0210	4350641	210 bar [3045 psi]

Service bulletin

Description	Old part number	New part number	Relief valve set point
SCR valve assembly	3103375-230	4350640	230 bar [3335 psi]
SCR valve assembly	3103375-250	4350639	250 bar [3625 psi]
SCR valve assembly	3103375-260	4350644	260 bar [3770 psi]
SCR valve assembly	3103375-0280	4350638	280 bar [4060 psi]
SCR valve assembly	3103375-0300	4350637	300 bar [4350 psi]
SCR valve assembly	3103375-0325	4350645	325 bar [4712 psi]
SCR valve assembly	3103375-0345	4350636	345 bar [5000 psi]
SCR valve assembly	3103375-0415	4350646	415 bar [6020 psi]

Parts disposition

Interchangeable

Service bulletin**SB-1998-092****Products affected**

Series 40: M35 and M44 variable motors, variable pumps, tandem pumps

Subject

Housing to end cap dowel pin change

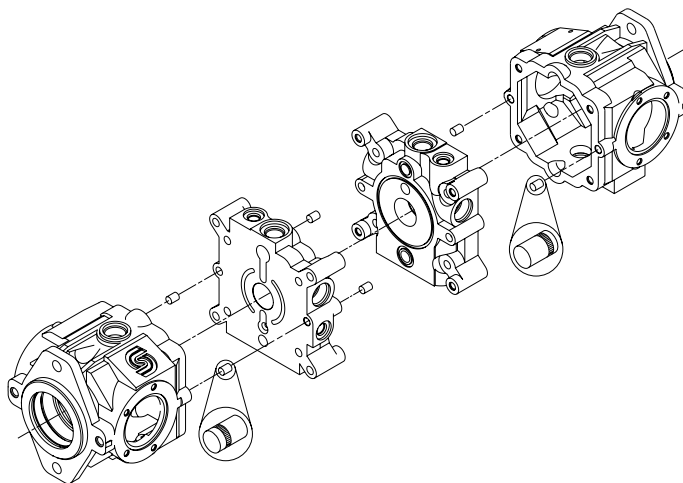
Description

Danfoss introduced a design improvement to the dowel pins that align the variable housing and end cap for the Series 40: M35 and M44 variable motors, variable pumps, and tandem variable pumps.

Each variable motor and variable pump assembly uses two dowel pins to align the end cap to the pump housing. The assembly is designed so the dowel pin is installed in the variable housing before the end cap is positioned on the assembly. The tandem variable pump uses the same dowel pin to align the two halves of the tandem pump assembly. Previously, a slip fit existed between the holes in the variable housing and the pin.

The design of the dowel pin changed to incorporate a knurled section on the pin. The fit between the dowel pin and the pilot hole in the variable housing changed to a slight interference fit. This change improves the serviceability of the motor and pump assembly, by reducing the potential for the pins to dislodge from the housing when servicing the product.

To help identify this change, we have a new dowel pin part number. The new pin is completely interchangeable with the old pin. The old pin remains available as a service item, since it is in a variety of Danfoss applications.

**Models affected**

M35-4xxx, 4354xxx and 4444xxx variable displacement motors

M35-2xxx, 4352xxx and 4442xxx variable displacement pumps

M91-35xxx, 4355xxx and 4445xxx tandem pumps

Serial numbers

This change became effective at serial number A-99-10-xxxxx

Service bulletin**Part numbers affected**

Old dowel pin	New dowel pin
5000539	9004800-3708

Parts disposition

- Interchangeable
- Use parts in stock

Service bulletin

SB-1999-040

Products affected

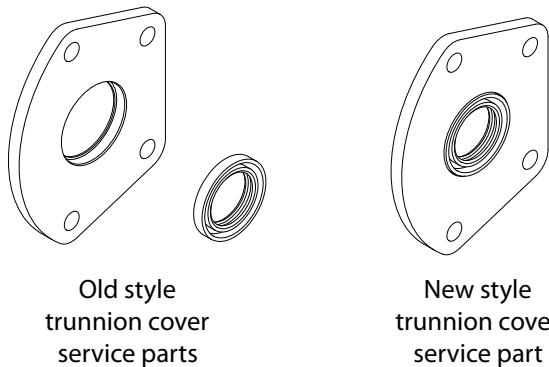
Series 40: M25, M35 and M44 pumps

Subject

Trunnion cover/seals

Description

As a quality improvement, the trunnion seals are now pre-assembled into the trunnion cover for all Series 40 variable and tandem direct displacement pumps. The trunnion cover/seal assembly and the trunnion seal is available as a service part. The trunnion cover is no longer available as a service part.



Models affected

Service parts for all Series 40: M25, M35 and M44 pumps

Part numbers affected

Item description	Part number
Trunnion cover assembly	4350732
Lip seal	5000465
Trunnion cover	4250025 (no longer available as a service part)

Parts disposition

Interchangeable

Use parts in stock

Service bulletin

SB-2000-026A

Products affected

Series 40: M25, M35, and M44 pumps and variable motors

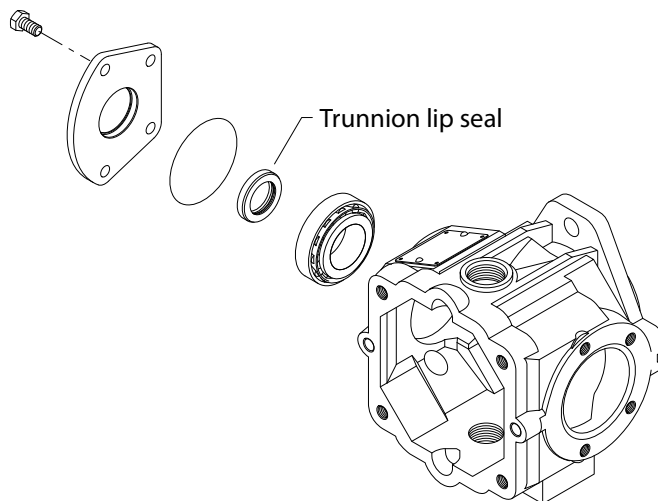
Subject

Trunnion seal change

Description

As a product improvement, Danfoss made a design change to the trunnion seal on Series 40: M25, M35, and M44 pumps and variable motors. The dust lip is extended, allowing more installation concentric tolerance, and more forgiving during installation. Now there will be fewer low-hour trunnion seal failures caused by improper installation.

The new seal is interchangeable with the old seal. Danfoss recommends that the seal be replaced when servicing these units. The old seal (5000465) remains available as it is in other Danfoss product lines.



Models affected

Series 40: M25, M35 and M44 pumps and variable motors

Serial numbers

This change became effective at serial number K-00-46-xxxxx

Part numbers affected

Description	Old number	New number
Trunnion seal	5000465	5000604

Parts disposition

Interchangeable

Service bulletin

SB-2002-021

Products affected

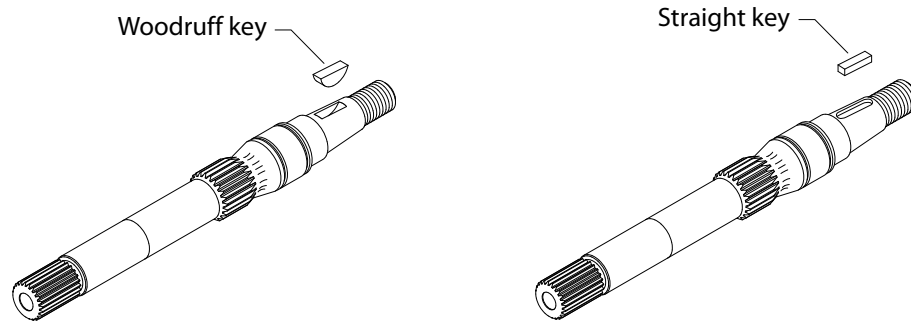
Series 40: M25, M35, M44, M46, and LV pumps and motors

Subject

Change from woodruff key to straight key on tapered shaft

Description

Danfoss uses a straight key rather than a woodruff key in tapered shafts on all Series 40 pumps and motors. Tapered shafts requiring a woodruff key are obsolete. The woodruff key, however, remains available for service requirements. Customers requiring a replacement shaft need the straight key.



Models affected

Series 40: M25, M35, M44, M46, and LV pumps and motors using tapered shafts

Serial numbers

This change became effective during the 2002 build year.

Part numbers affected

Old part number	New part number	Description
9003310-2514	-	Key-woodruff, .248 x .875
-	5000664	Key-square, .250 x .750
4250012	4250164	Shaft, tapered
4254500	4254568	Shaft, tapered
4350390	4350805	Shaft, tapered
4350432	4350791	Shaft, tapered
4460309	4461308	Shaft, tapered/9t. aux.
4461290	4461302	Shaft, tapered/13t. aux.
4460577	4461309	Shaft, tapered
4460804	4461306	Shaft, 13-tooth/tapered aux.
4460772	4461307	Shaft, tapered

Service bulletin

Parts disposition

- Interchangeable if shaft and key are both replaced
- Use parts in stock
- Scrap new parts and apply for credit

SB-2003-018

Products affected

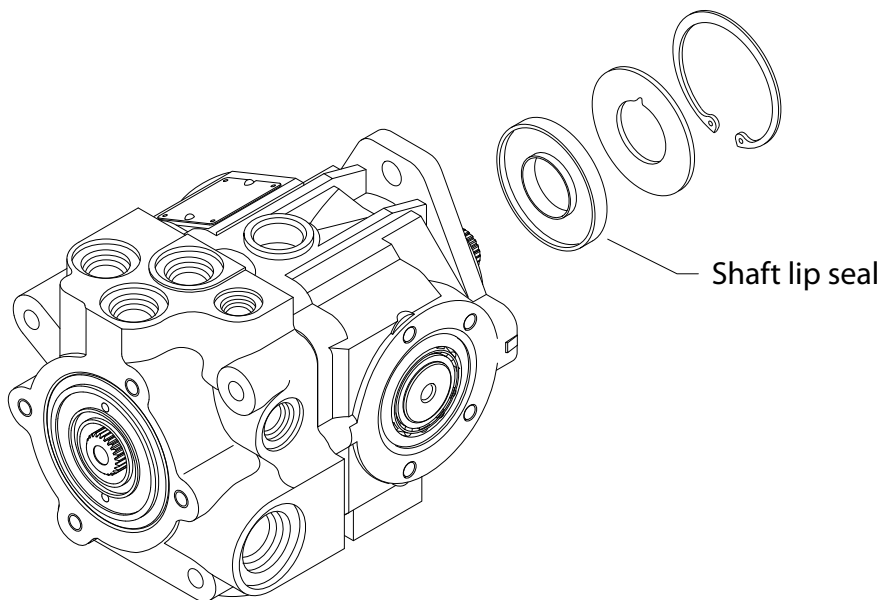
M35 and M44 pumps and variable motors

Subject

Shaft seal change

Description

As a product improvement, Danfoss has improved the design of the shaft lip seal. The new seal is a single piece design instead of a crimped two-piece design.



Models affected

M35 and M44 pumps and variable motors

Serial numbers

This change became effective at serial number K-03-49-xxxxx

Part numbers affected

Item description	Old part number	New part number
Lip seal	9008000-0121	5000689

Service bulletin

Parts disposition

Interchangeable

Service bulletin

SB-2010-037

Products affected

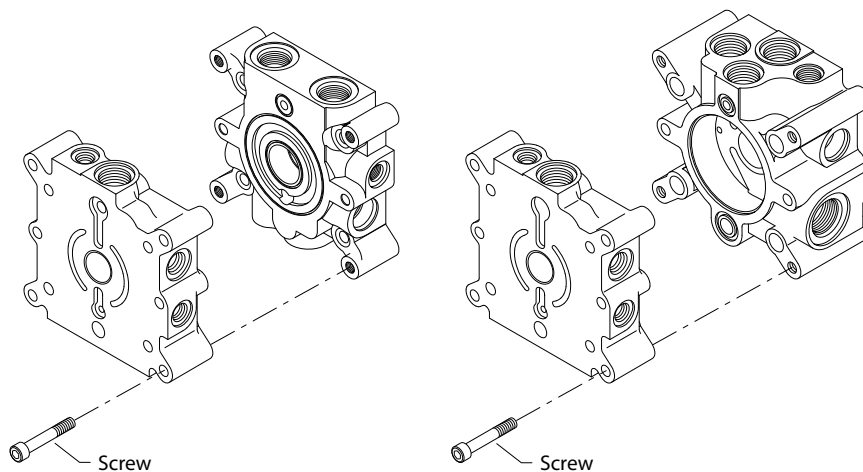
Series 40 M35 and M44 tandem pumps

Subject

End cap tap depth and part number changes

Description

As a product improvement Danfoss is changing the tap depth of the end cap to end cap mounting holes. In the case where you have to replace the end cap you will need to order the appropriate one as per the attached cross reference list because the old end cap design will no longer be produced. The new design has deeper tapped mounting holes.



Models affected

All Series 40 M35 and M44 tandem pumps

Serial numbers

This change became effective at serial number A11-13-xxxxx (1 April 2011)

Part numbers affected

Item description	Old part number	New part number
End cap	4440223	11083594
End cap	4350256	11089077
End cap	4350406	11083596
Screw	9007314-1014	5000122

When using an old end cap, the old screw must be used. When using a new end cap, either screw may be used.

Parts disposition

Interchangeable: old to new

Use parts in stock

Service bulletin

Service bulletin

SB-2013-002

Products affected

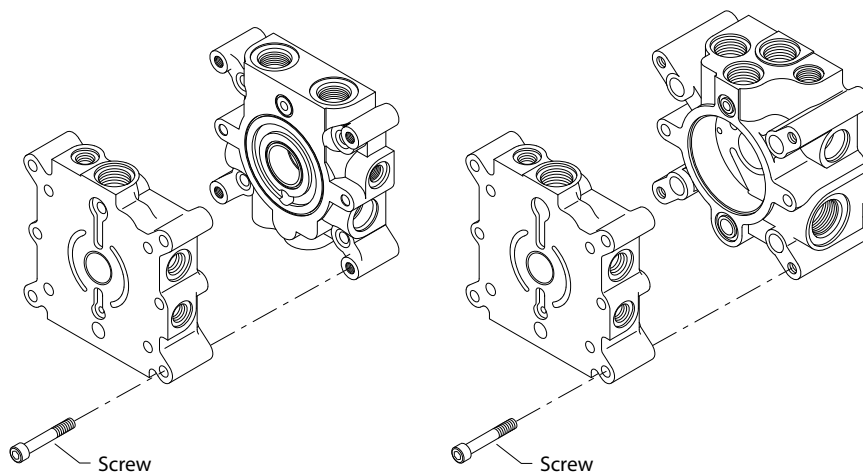
Series 40 M35 and M44 tandem pumps

Subject

Charge pump coupling and gerotor spacer change

Description

Danfoss has changed the 16.4cc gerotor spacer and the charge pump coupling in Series 40 M35 and M44 tandem pumps as a product improvement. This change will eliminate the non-symmetrical coupling and the need for the coupling to be installed in the proper orientation.



Models affected

All Series 40 M35 and M44 tandem pumps with integrated charge pump

Serial numbers

This change became effective at serial number A13-03-XXXXX (23 Jan 2013)

Part numbers affected

Item description	Old part number	New part number
Charge pump coupling	4350090	11104848
Gerotor spacer, 16.4cc	4800177	11111469
Gerotor spacer, 19.7cc	4800178	4800178

Parts disposition

Must use new 16.4cc gerotor spacer with new coupling

New coupling may be used with old 19.7cc gerotor spacer

Service bulletin

SB-2017-012

Products affected

Series 40 M35 and M44 pumps and motors

Subject

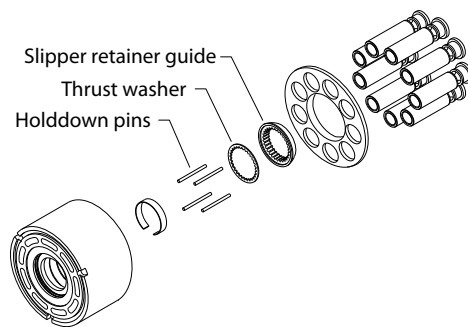
Cylinder block kit design change

Description

A design change has been made to the cylinder block kit of Series 40 M35 and M44 pumps and motors. The change removes the thrust washer from the cylinder block kit assembly. A kit is available for service and repair of the cylinder block.

The internal parts (pin and retainer guide) of the cylinder kit are not interchangeable.

With the removal of the thrust washer from the cylinder block kit assembly, the new service kit contains slipper hold down pins and retainer guide.



Models affected

Series 40 M35 and M44 single and tandem pumps, fixed and variable motors

Cylinder block kits 11054783, 4350291, 4350422, 4350773, 4440004, 4440023, 4440114

Serial numbers

This change became effective at A-17-12-xxxxx (March 17, 2017)

Part numbers affected

Description	Old number	New number
Guide slipper retainer	4350186	11178522
Pin straight	9004875-0109	11178524
Washer thrust	4350187	-
SVC kit: MMF035/44D (includes pins and slipper retainer)	-	11178525

Parts disposition

Non-interchangeable (internal parts in kits)

Products we offer:

- Bent Axis Motors
- Closed Circuit Axial Piston Pumps and Motors
- Displays
- Electrohydraulic Power Steering
- Electrohydraulics
- Hydraulic Power Steering
- Integrated Systems
- Joysticks and Control Handles
- Microcontrollers and Software
- Open Circuit Axial Piston Pumps
- Orbital Motors
- PLUS+1® GUIDE
- Proportional Valves
- Sensors
- Steering
- Transit Mixer Drives

Danfoss Power Solutions is a global manufacturer and supplier of high-quality hydraulic and electronic components. We specialize in providing state-of-the-art technology and solutions that excel in the harsh operating conditions of the mobile off-highway market. Building on our extensive applications expertise, we work closely with our customers to ensure exceptional performance for a broad range of off-highway vehicles.

We help OEMs around the world speed up system development, reduce costs and bring vehicles to market faster.

Danfoss – Your Strongest Partner in Mobile Hydraulics.

Go to www.powersolutions.danfoss.com for further product information.

Wherever off-highway vehicles are at work, so is Danfoss. We offer expert worldwide support for our customers, ensuring the best possible solutions for outstanding performance. And with an extensive network of Global Service Partners, we also provide comprehensive global service for all of our components.

Please contact the Danfoss Power Solution representative nearest you.

Comatrol

www.comatrol.com

Turolla

www.turollaocg.com

Hydro-Gear

www.hydro-gear.com

Daikin-Sauer-Danfoss

www.daikin-sauer-danfoss.com

Local address:

**Danfoss
Power Solutions (US) Company**
2800 East 13th Street
Ames, IA 50010, USA
Phone: +1 515 239 6000

**Danfoss
Power Solutions GmbH & Co. OHG**
Krokamp 35
D-24539 Neumünster, Germany
Phone: +49 4321 871 0

**Danfoss
Power Solutions ApS**
Nordborgvej 81
DK-6430 Nordborg, Denmark
Phone: +45 7488 2222

**Danfoss
Power Solutions Trading
(Shanghai) Co., Ltd.**
Building #22, No. 1000 Jin Hai Rd
Jin Qiao, Pudong New District
Shanghai, China 201206
Phone: +86 21 3418 5200

Danfoss can accept no responsibility for possible errors in catalogues, brochures and other printed material. Danfoss reserves the right to alter its products without notice. This also applies to products already on order provided that such alterations can be made without changes being necessary in specifications already agreed. All trademarks in this material are property of the respective companies. Danfoss and the Danfoss logotype are trademarks of Danfoss A/S. All rights reserved.