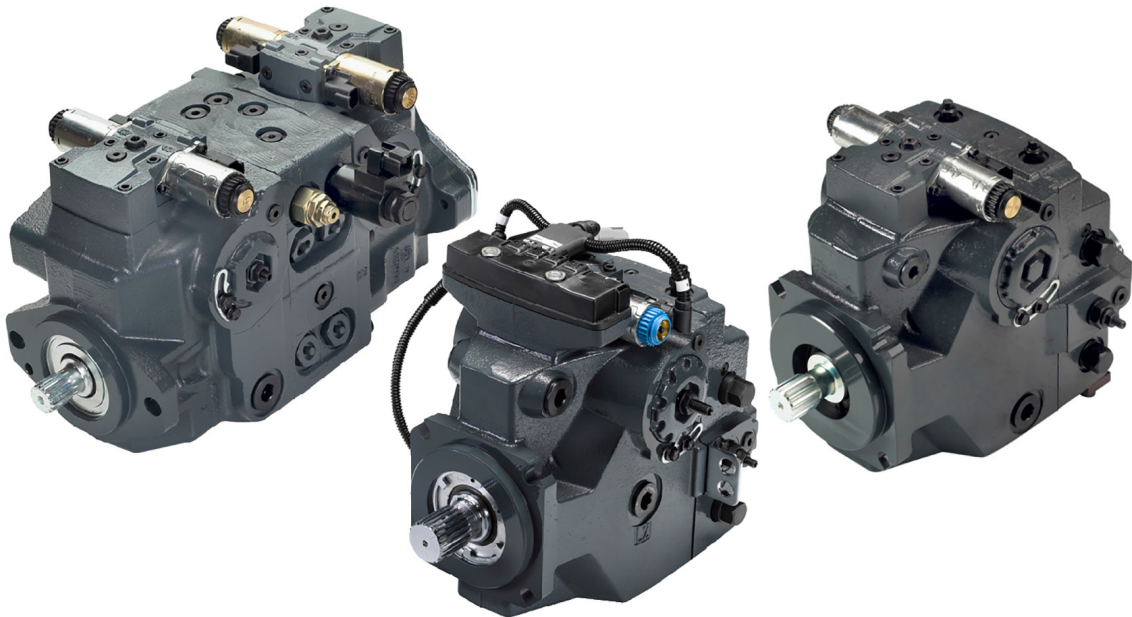


Basic Information

H1 Axial Piston Pumps

Single and Tandem



Revision history*Table of revisions*

Date	Changed	Rev
June 2024	Updated fluid selection information	1002
December 2021	Added Hydraulic Displacement Control section	1001
January 2021	Changed document number from 'BC00000057' to 'BC152886483968' and added 280cc information	0901
November 2019	Speed sensor, Integral Charge Pressure Filtration data changes.	0703
April 2019	CCO topic update.	0702
May 2018	Angle sensor for EDC controls added.	0701
April 2017	NFPE and AC controls added.	0602
May 2016	Updated to Engineering Tomorrow design.	0601
Nov 2010-Nov 2015	Various changes.	BA-0501
Jul 2009	First edition.	AA

Contents

Danfoss hydrostatic product family

A word about the organization of this manual.....	5
General description of H1 family hydrostatic pumps.....	5
Overview of H1 Pumps Technical Specifications.....	6
H1 Pumps Literature Reference.....	7

Operation

Pressure Limiter Valves.....	8
High Pressure Relief Valve (HPRV) and Charge Check Valve.....	8
Bypass function.....	9
System Schematic for Single Pump.....	9
System Schematic for Tandem Pumps.....	10
Charge Pressure Relief Valve (CPRV).....	10
Electrical Displacement Control (EDC).....	11
EDC Operation.....	11
Manual Displacement Control (MDC)	12
MDC operation.....	12
Neutral start switch (NSS).....	13
Hydraulic Displacement Control (HDC).....	14
HDC principle.....	14
Automotive Control (AC)	15
Automotive Control connection diagram.....	16
Forward-Neutral-Reverse (FNR) electric control.....	17
Non feedback proportional electric control (NFPE).....	17
Fan Drive Control (FDC).....	18
Control Signal Requirements, FDC	18
Manual Override (MOR).....	20
Swashplate angle sensor for EDC controls.....	21
Swash Plate Angle Sensor for NFPE and AC2 Controls.....	22
Control Cut Off Valve (CCO).....	23
Brake gauge port with MDC.....	23
Displacement Limiter.....	24
Life Time.....	24
Speed and Temperature Sensor.....	25
Description.....	25
Theory of Operation.....	25
Target Ring.....	25
Mating Connectors.....	25
Speed sensor 4.5 – 8 V.....	26
Temperature Signal.....	26

Operating Parameters

Input Speed.....	28
System Pressure.....	28
Servo Pressure.....	29
Charge Pressure.....	29
Charge Pump Inlet Pressure.....	29
Case Pressure.....	29
External Shaft Seal Pressure.....	30
Temperature.....	30
Viscosity.....	30

System design parameters

Fluid Specification.....	31
Fluid selection.....	31
Filtration System.....	32
Suction Filtration.....	33
Charge pressure filtration (full charge pump flow).....	33
Remote Charge Pressure Filtration.....	34
Integral Charge Pressure Filtration.....	35
H1P Filters Ordering Numbers.....	36

Contents

Filter Bypass Characteristic.....	37
Bypass Sensor Clearance.....	37
Reservoir.....	38
Case drain.....	38
Charge pump.....	39
Bearing loads and life	40
Mounting flange loads.....	41
Shaft Torque for Splined Shafts.....	42
Shaft Torque for Tapered Shafts.....	42
Shaft availability and torque ratings.....	43
Minimizing System Noise.....	44
Determination of Nominal Pump Sizes.....	45

Danfoss hydrostatic product family

A word about the organization of this manual

General information covering all displacements of the H1 range is given in the beginning of this manual. This includes definitions of operating parameters and system design considerations.

The next sections in the book detail the specific operating limitations for each frame and give a full breakdown of available displacements, features and options.

General description of H1 family hydrostatic pumps

The H1 family of closed circuit variable displacement axial piston pumps is designed for use with all existing Danfoss hydraulic motors for the control and transfer of hydraulic power. The H1 axial piston variable displacement pumps are of cradle swash-plate design and are intended for closed circuit applications.

Flow direction is reversed by tilting the swash-plate to the opposite side of the neutral (zero displacement) position. The flow rate is proportional to the pump input speed and displacement. The latter is infinitely adjustable between zero and maximum displacement.

H1 pumps can be used together in combination with other Danfoss pumps and motors in the overall hydraulic system.

- Danfoss hydrostatic products are designed with 15 different displacements (cm³ [in³]):

045	053	060	068	069	078	089	100	115	130	147	165	210	250	280
45.0 [2.75]	53.8 [3.28]	60.4 [3.69]	68.0 [4.15]	69.0 [4.22]	78.0 [4.76]	89.2 [5.44]	101.7 [6.21]	115.8 [7.07]	130.8 [7.98]	147.0 [8.97]	165.0 [10.07]	211.5 [12.91]	251.7 [15.36]	280.2 [17.10]

- Danfoss hydrostatic products are designed with many different pressure, load-life and control capabilities:
 - Electric Displacement Control (EDC)
 - Forward-Neutral-Reverse control (FNR)
 - Non-Feedback Proportional Electric control (NFPE)
 - Automotive Control (AC)
 - Fan Drive Control (FDC)
 - Manual Displacement Control (MDC)
 - Hydraulic Displacement Control (HDC)
 - Control-Cut-Off valve (CCO)
- High power density where all units utilize an integral electro-hydraulic servo piston assembly that controls the rate (speed) and direction of the hydraulic flow.
- Compatible with the Danfoss family of PLUS+1® micro-controllers for easy Plug-and-Perform installation.
- More compact and lightweight
- Improved reliability and performance

Go to the Danfoss website or applicable product catalog to choose the components that are right for your complete closed circuit hydraulic system.

H1 Axial Piston Pumps, Single and Tandem

Danfoss hydrostatic product family

Overview of H1 Pumps Technical Specifications

The table shows the available range of H1 pumps as of this printing, with their respective speed, pressure, weight and mounting flange.

Feature	045	053	060	068	069	078	089	100	115	130	147	165	210	250	280
Displacement cm³ [in³]	45.0 [2.75]	53.8 [3.28]	60.4 [3.69]	68.0 [4.15]	69.2 [4.22]	78.1 [4.77]	89.2 [5.44]	101.7 [6.21]	115.2 [7.03]	130.0 [7.93]	147.2 [8.98]	165.1 [10.08]	211.5 [12.91]	251.7 [15.36]	280.2 [17]
Rated speed, min⁻¹ (rpm)	3400	3400	3500	3500	3500	3500	3300	3300	3200	3200	3000	3000	2600	2600	2600
Max. speed, min⁻¹ (rpm)	3500	3500	4000	4000	4000	4000	3800	3800	3400	3400	3100	3100	2800	2800	2800
Max. working pressure, bar [psi]¹⁾	420 [6092]	380 [5511]	420 [6092]	380 [5511]	450 [6527]	450 [6527]	450 [6527]	450 [6527]	450 [6527]	450 [6527]	450 [6527]	450 [6527]	450 [6527]	450 [6527]	420 [6092]
Max pressure, bar [psi]	450 [6527]	400 [5802]	450 [6527]	400 [5802]	480 [6962]	480 [6962]	480 [6962]	480 [6962]	480 [6962]	480 [6962]	480 [6962]	480 [6962]	480 [6962]	480 [6962]	450 [6527]
Weight dry, kg [lb] (without PTO/filter)	single: 41 [90] tandem: 65 [143]		single: 50 [110] tandem: 96.2 [212]		56 [123]	56 [123]	62 [137]	62 [137]	83 [187]	83 [187]	96 [211]	96 [211]	163 [360]	163 [360]	163 [360]
Mounting flange	SAE B, 2-bolt		SAE C, 4-bolt					SAE D, 4-bolt					SAE E, 4-bolt		

¹⁾ Applied pressures above maximum working pressure requires Danfoss application approval.

Danfoss hydrostatic product family

H1 Pumps Literature Reference

Available literature for H1 Pumps

Title	Literature Type	Number
H1 Axial Piston Pumps, Single and Tandem	Product Line Overview	AM152886484212
H1 Axial Piston Pumps, Single and Tandem	Basic Information	BC152886483968
H1T 045/053/060/068 Axial Piston Tandem Pumps	Technical Information	BC152886483958
H1P 045/053 Axial Piston Single Pumps	Technical Information	BC152886483105
H1P 060/068 Axial Piston Single Pumps	Technical Information	BC152886483241
H1P 069/078 Axial Piston Single Pumps	Technical Information	BC152886483133
H1P 089/100 Axial Piston Single Pumps	Technical Information	BC152886482765
H1P 115/130 Axial Piston Single Pumps	Technical Information	BC152886483053
H1P 147/165 Axial Piston Single Pumps	Technical Information	BC152886482989
H1P 210/25/280 Axial Piston Single Pumps	Technical Information	BC152986484463
H1P 045/053/060/068 Axial Piston Single Pumps	Service Manual	AX152886481964
H1T 045/053/060/068 Axial Piston Tandem Pumps	Service Manual	AX152886481761
H1P 069–280 Axial Piston Single Pumps	Service Manual	AX152886482551

[Data sheets for all pump sizes are available.](#)

Further available literature

Title	Literature Type	Number
H1 Pump Electrical Displacement Control (EDC)	Electrical Installation	BC152886483648
H1 Pump 3-position Electric Control (FNR)	Electrical Installation	BC152886483708
H1 Pump Non-Feedback Prop. Electric Control (NFPE)	Electrical Installation	BC152886483538
H1 Pump Automotive Control (AC)	Technical Information	BC152986482596
H1 Automotive on PLUS+1 for MC024	Technical Information	BC152986484456
Speed and Temperature Sensor	Technical Information	BC152886482203
Pressure Sensor	Technical Information	BC152886484429
External Remote Charge Pressure Filter	Technical Information	BC152886484487
Design Guideline for Hydraulic Fluid Cleanliness	Technical Information	BC152886482150
Hydraulic Fluids and Lubricants	Technical Information	BC152886484524

Operation

Pressure Limiter Valves

Pressure limiter valves provide system pressure protection by compensating the pump swash plate position when the set pressure of the valve is reached. A pressure limiter is a non-dissipative (non heat generating) pressure regulating system.

Each side of the transmission loop has a dedicated pressure limiter valve that is set independently. A pump configured with pressure limiter must have pressure limiters on both sides of the system pressure loop. The pump order code allows for different pressure settings to be used at each system port.

The pressure limiter setting is the maximum differential pressure between the high and low loops. When the pressure limiter setting is reached, the valve ports oil to the low-pressure side of the servo piston. The change in servo differential pressure rapidly reduces pump displacement. Fluid flow from the valve continues until the resulting drop in pump displacement causes system pressure to fall below the pressure limiter setting.

An active pressure limiter destrokes a pump to near neutral when the load is in a stalled condition. The pump swash-plate moves in either direction necessary to regulate the system pressure, including into stroke (overrunning) or over-center (winch payout).

[The pressure limiter is optional on H1 pumps \(except H1T 045/053 tandem pumps\).](#)

High Pressure Relief Valve (HPRV) and Charge Check Valve

All H1 pumps have a combination high pressure relief and charge check valve. The high pressure relief function is a dissipative (heat generating) pressure control valve for the purpose of limiting excessive system pressures. The charge check function replenishes the low pressure side of the working loop with charge oil.

Each side of the transmission loop has a dedicated HPRV valve that is non-adjustable with a factory set pressure. When system pressure exceeds the factory setting of the valve, oil is passed from the high pressure system loop, into the charge gallery, and into the low pressure system loop via the charge check.

The pump may have different pressure settings to be used at each system port. When an HPRV valve is used in conjunction with a pressure limiter, the HPRV valve is always factory set above the setting of the pressure limiter. The system pressure shown in the order code for pumps with only HPRV is the HPRV setting.

The system pressure shown in the order code for pumps with pressure limiter and HPRV is a reflection of the pressure limiter setting:

[HPRVs are set at low flow condition. Any application or operating condition which leads to elevated HPRV flow will cause a pressure rise with flow above the valve setting. Consult factory for application review.](#)

[Excessive operation of the HPRV will generate heat in the closed loop and may cause damage to the internal components of the pump.](#)

Operation

Bypass function

The bypass function allows a machine or load to be moved without rotating the pump shaft or prime mover. The single pump HPRV valve also provides a loop bypass function when each of the two HPRV hex plugs are mechanically backed out three full turns.

Engaging the bypass function mechanically connects both A & B sides of the working loop to the common charge gallery.

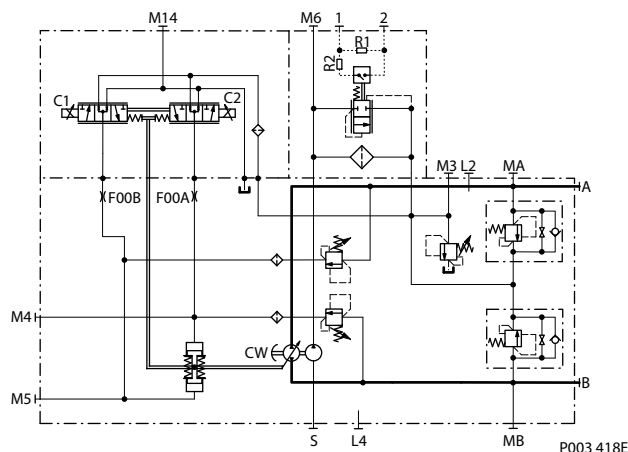
Possible damage to hydromotor(s).

Excessive speeds and extended load/vehicle movement must be avoided. The load or vehicle should be moved not more than 20% of maximum speed and for a duration not exceeding 3 minutes. When the bypass function is no longer needed, care should be taken to re-seat the HPRV hex plugs to the normal operating position.

Bypass function not available for tandem pumps.

System Schematic for Single Pump

The schematic below shows the function of an H1P axial piston variable displacement pump with electric displacement control (EDC).

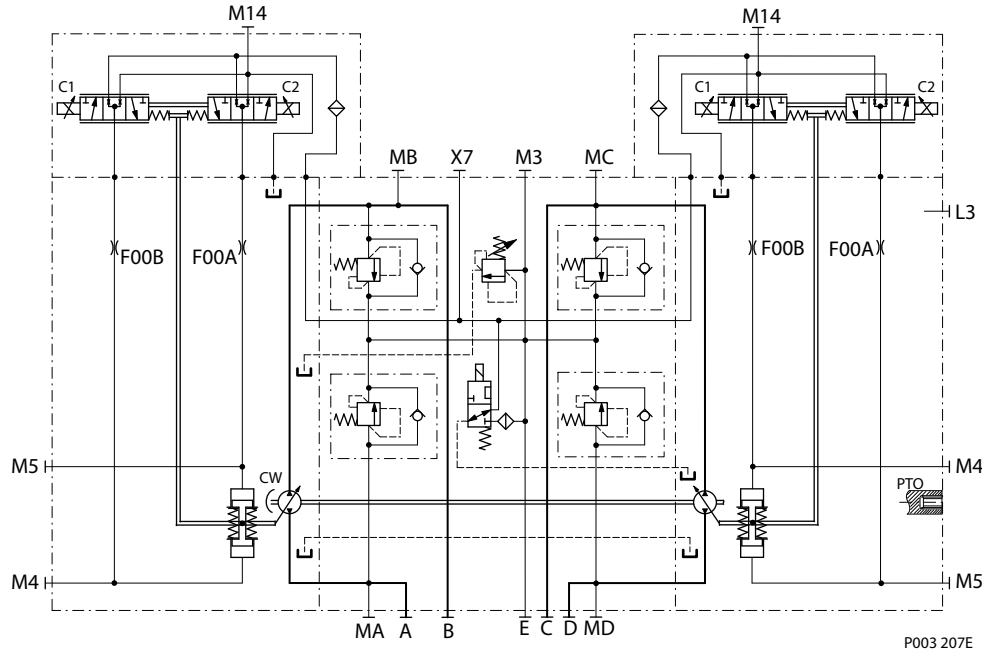


Operation

System Schematic for Tandem Pumps

The schematic below shows the function of H1T axial piston variable displacement tandem pumps with electric displacement control (EDC).

System schematic, tandem pumps



Charge Pressure Relief Valve (CPRV)

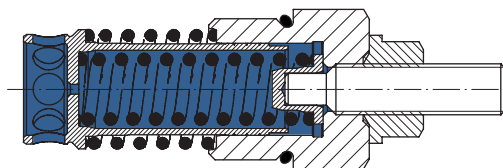
The charge pressure relief valve is a direct acting poppet valve that opens and discharges fluid to the pump case when pressure exceeds a designated level. The charge pressure relief valve maintains charge pressure at a designated level above case pressure.

This level is nominally set with the pump running at 1800 min^{-1} (rpm), and with a fluid viscosity of $32 \text{ mm}^2/\text{s}$ [150 SUS]. In forward or reverse, charge pressure will be slightly lower than in neutral position. The model code of the pump specifies the charge pressure relief valve setting. Typical charge pressure increase from 1.2-1.5 bar per 10 l/min [17.4-21.8 psi per 2.64 US gal/min]. For external charge flow the CPRV is set according to the table below:

CPRV flow setting for external charge supply

Tandem 045/053	Single 045/053	Single 060—165	Single 210/250/280
30 l/min [7.9 US gal/min]	15 l/min [3.9 US gal/min]	22.7 l/min [6.0 US gal/min]	40.0 l/min [10.6 US gal/min]

Charge pressure relief valve



Operation

Electrical Displacement Control (EDC)

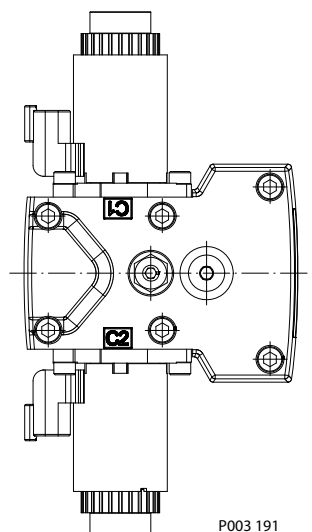
An EDC is a displacement (flow) control. Pump swash plate position is proportional to the input command and therefore vehicle or load speed (excluding influence of efficiency), is dependent only on the prime mover speed or motor displacement.

The Electrical Displacement Control (**EDC**) consists of a pair of proportional solenoids on each side of a three-position, four-way porting spool. The proportional solenoid applies a force input to the spool, which ports hydraulic pressure to either side of a double acting servo piston. Differential pressure across the servo piston rotates the swash plate, changing the pump's displacement from full displacement in one direction to full displacement in the opposite direction.

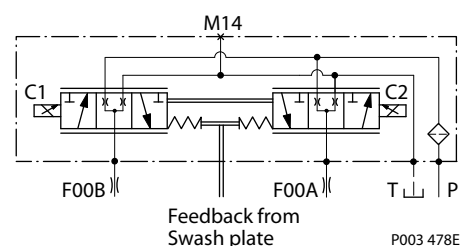
A serviceable 170 µm screen is located in the supply line immediately before the control porting spool.

Under some circumstances, such as contamination, the control spool could stick and cause the pump to stay at some displacement.

Electrical Displacement Control



EDC schematic, feedback from swash plate



EDC Operation

H1 EDC's are current driven controls requiring a Pulse Width Modulated (PWM) signal. Pulse width modulation allows more precise control of current to the solenoids.

The PWM signal causes the solenoid pin to push against the porting spool, which pressurizes one end of the servo piston, while draining the other. Pressure differential across the servo piston moves the swashplate.

A swashplate feedback link, opposing control links, and a linear spring provide swashplate position force feedback to the solenoid. The control system reaches equilibrium when the position of the swashplate spring feedback force exactly balances the input command solenoid force from the operator. As hydraulic pressures in the operating loop change with load, the control assembly and servo/swashplate system work constantly to maintain the commanded position of the swashplate.

The EDC incorporates a positive neutral deadband as a result of the control spool porting, preloads from the servo piston assembly, and the linear control spring. Once the neutral threshold current is reached, the swashplate is positioned directly proportional to the control current. To minimize the effect of the control neutral deadband, we recommend the transmission controller or operator input device incorporate a jump up current to offset a portion of the neutral deadband.

The neutral position of the control spool does provide a positive preload pressure to each end of the servo piston assembly.

When the control input signal is either lost or removed, or if there is a loss of charge pressure, the spring-loaded servo piston will automatically return the pump to the neutral position.

Operation

Manual Displacement Control (MDC)

A Manual proportional Displacement Control (**MDC**) consists of a handle on top of a rotary input shaft. The shaft provides an eccentric connection to a feedback link. This link is connected on its one end with a porting spool. On its other end the link is connected the pumps swashplate.

This design provides a travel feedback without spring. When turning the shaft the spool moves thus providing hydraulic pressure to either side of a double acting servo piston of the pump.

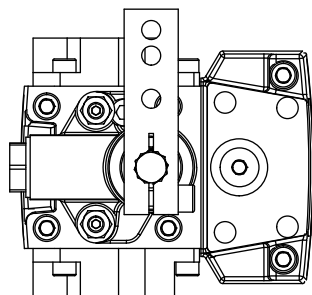
Differential pressure across the servo piston rotates the swash plate, changing the pump's displacement. Simultaneously the swashplate movement is fed back to the control spool providing proportionality between shaft rotation on the control and swash-plate rotation. The MDC changes the pump displacement between no flow and full flow into opposite directions.

Under some circumstances, such as contamination, the control spool could stick and cause the pump to stay at some displacement.

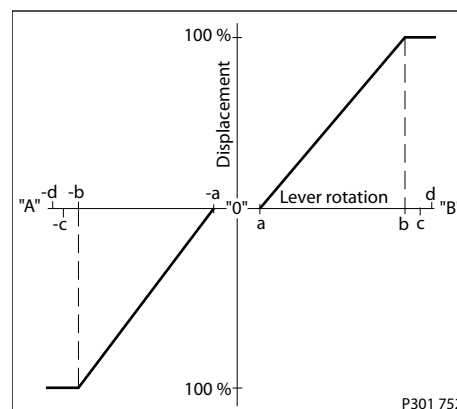
For the MDC with CCO option the brake port (X7) provides charge pressure when the coil is energized to activate static function such as a brake release. The X7 port must not be used for any continuous oil consumption.

The MDC is sealed by means of a static O-ring between the actuation system and the control block. Its shaft is sealed by means of a special O-ring which is applied for low friction. The special O-ring is protected from dust, water and aggressive liquids or gases by means of a special lip seal.

Manual Displacement Control



Pump displacement vs. control lever rotation



Deadband on **B** side: **a = 3° ±1°**
 Maximum pump stroke: **b = 30° +2/-1°**
 Required customer end stop: **c = 36° ±3°**
 Internal end stop: **d = 40°**

MDC operation

The MDC provides a mechanical dead-band required to overcome the tolerances in the mechanical actuation. The MDC contains an internal end stop to prevent turning the handle into any inappropriate position.

The MDC provides a permanent restoring moment appropriate for turning the MDC input shaft back to neutral position only. This is required to take the backlash out of the mechanical connections between the Bowden cable and the control.

High case pressure may cause excessive wear and the NSS to indicate that the control is not in neutral position. In addition, if the case pressure exceeds 5 bar there is a risk of an insufficient restoring moment. The MDC is designed for a maximum case pressure of 5 bar and a rated case pressure of 3 bar.

Operation

- Customers must install some support to limit the setting range of their Bowden cable to avoid an overload of the MDC.
- Customers can apply their own handle design but they must care about a robust clamping connection between their handle and the control shaft and avoid overload of the shaft.
- Customers can connect two MDC's on a tandem unit in such a way that the actuation force will be transferred from the pilot control to the second control. The kinematic of the linkages must ensure that either control shaft is protected from torque overload.

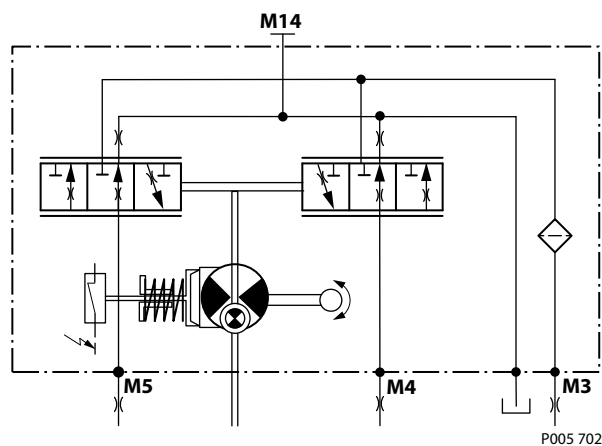
! Caution

Using the internal spring force on the input shaft is not an appropriate way to return the customer connection linkage to neutral, or to force a Bowden cable or a joystick back to neutral position. It is not applicable for any limitation of the Bowden cable stroke, except the applied torque to the shaft will never exceed 20 N·m.

Neutral start switch (NSS)

The Neutral Start Switch (**NSS**) contains an electrical switch that provides a signal of whether the control is in neutral. The signal in neutral is Normally Closed (**NC**).

Neutral start switch schematic



Neutral start switch data

Max. continuous current with switching	8.4 A
Max. continuous current without switching	20 A
Max. voltage	36 V _{DC}
Electrical protection class	IP67 / IP69K with mating connector

Operation

Hydraulic Displacement Control (HDC)

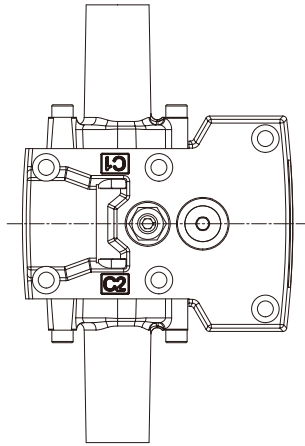
HDC principle

An HDC is a Hydraulic Displacement Control. Pump swashplate position is proportional to the input command and therefore vehicle speed or load speed (excluding influence of efficiency), is dependent only on the prime mover speed or motor displacement.

The HDC control uses a hydraulic input signal to operate a porting spool, which ports hydraulic pressure to either side of a double acting servo piston. The hydraulic signal applies a force input to the spool which ports hydraulic pressure to either side of a double acting servo piston. Differential pressure across the servo piston rotates the swashplate, changing the pump's displacement from full displacement in one direction to full displacement in the opposite direction. Under some circumstances, such as contamination, the porting spool could stick and cause the pump to stay at some displacement.

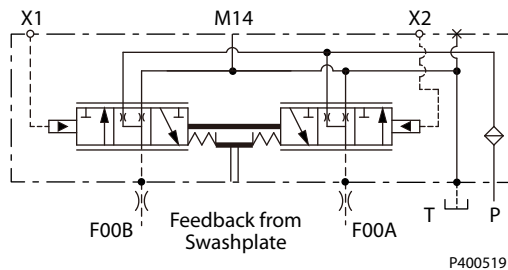
A serviceable 175 µm screen is located in the supply line immediately before the control porting spool.

HDC control



P400520

HDC schematic



P400519

Operation

Automotive Control (AC)

The AC-1 and AC-2 propel transmission system consists of an H1 variable pump, embedded electronic controller, and service tool configurable PLUS+1® software that allows the customer to completely optimize vehicle performance.

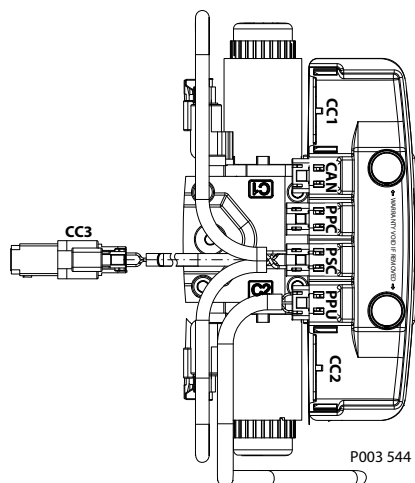
The embedded electronic controller provides an electric input signal activating one of two solenoids that port charge pressure to either side of the pump servo cylinder. The AC-1 has no mechanical feedback mechanism but AC-2 is available with an electronic feedback signal for the swashplate position. AC-2 is an extension of AC-1 that features an integrated pump swashplate angle sensor and software enabled functions such as swashplate control.

The pump displacement is proportional to the solenoid signal current, but it also depends upon pump input speed and system pressure. This characteristic also provides a power limiting function by reducing the pump swash plate angle as system pressure increases. A typical response characteristic is shown in the accompanying graph.

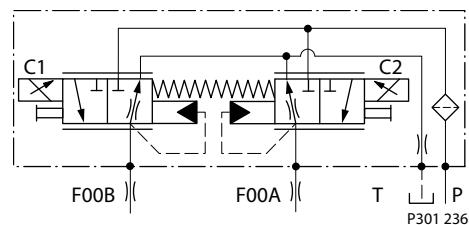
A serviceable 170 µm screen is located in the supply line immediately before the control porting spool.

Under some circumstances, such as contamination, the control spool could stick and cause the pump to stay at some displacement.

Automotive Control (AC)



Automotive Control (AC) schematic

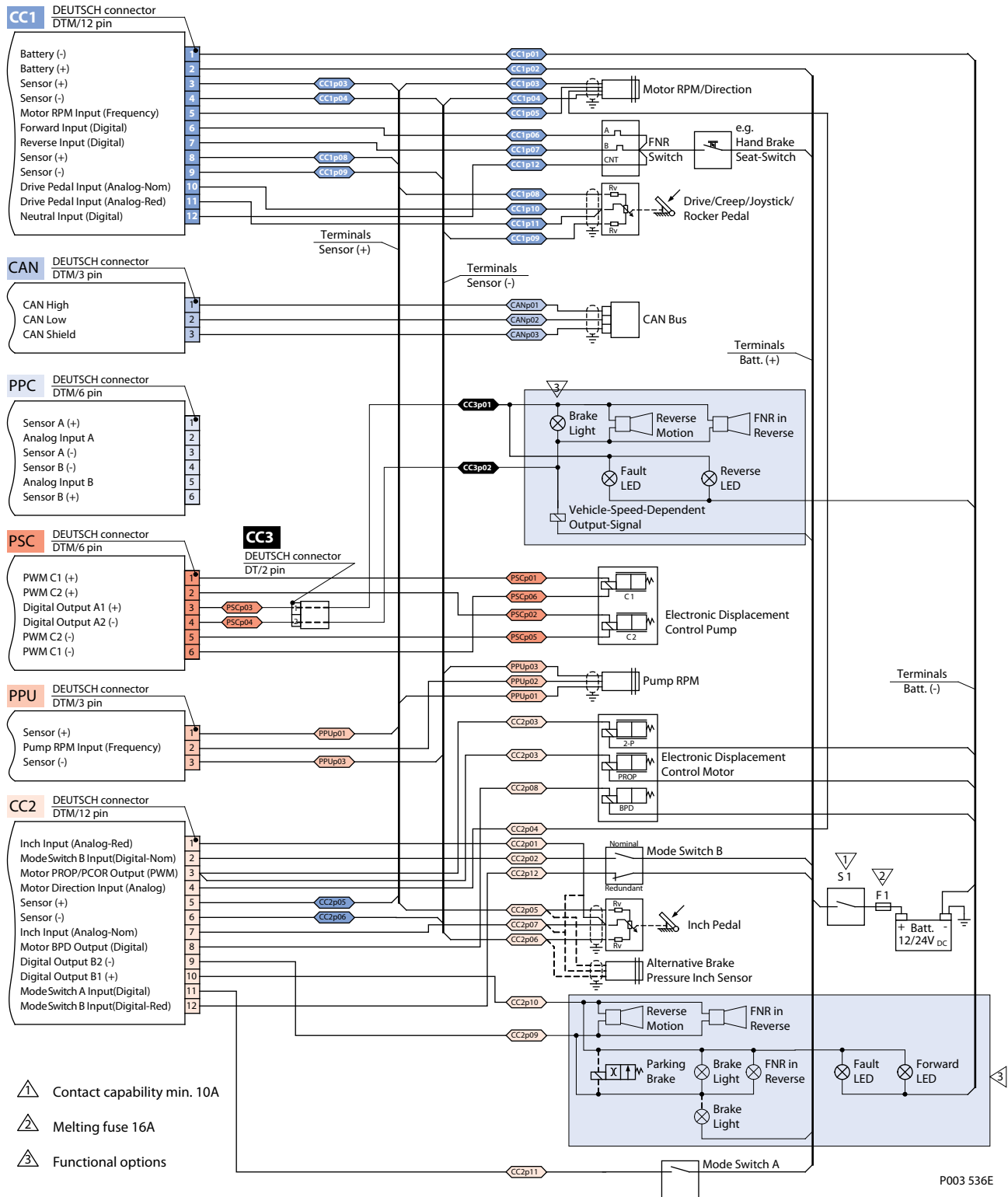


Basic Information

H1 Axial Piston Pumps, Single and Tandem

Operation

Automotive Control connection diagram



Operation

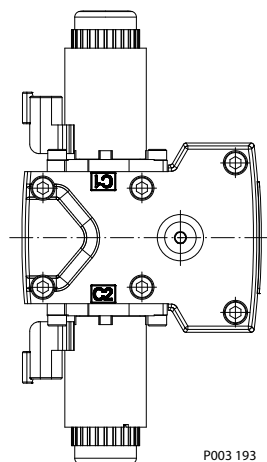
Forward-Neutral-Reverse (FNR) electric control

The 3-Position (F-N-R) control uses an electric input signal to switch the pump to a full stroke position.

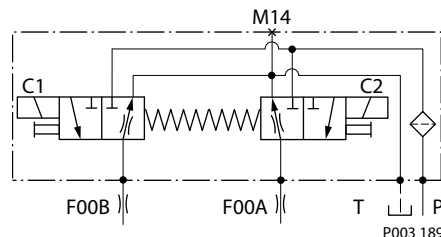
A serviceable 170 µm screen is located in the supply line immediately before the control porting spool.

Under some circumstances, such as contamination, the control spool could stick and cause the pump to stay at some displacement.

FNR control



3-Position electric control, hydraulic schematic



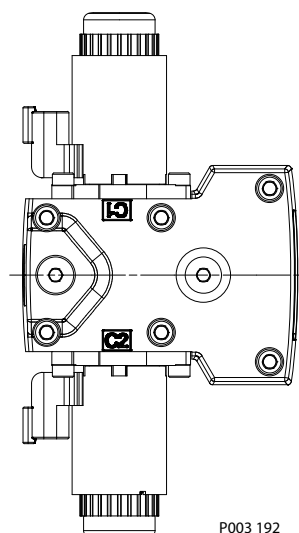
Non feedback proportional electric control (NFPE)

The Non Feedback Proportional Electric (**NFPE**) control is an electrical automotive control in which an electrical input signal activates one of two proportional solenoids that port charge pressure to either side of the pump servo cylinder. The NFPE control has no mechanical feedback mechanism.

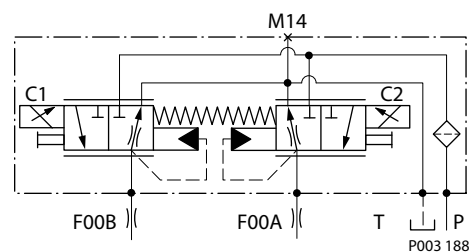
A serviceable 170 µm screen is located in the supply line immediately before the control porting spool.

Under some circumstances, such as contamination, the control spool could stick and cause the pump to stay at some displacement.

NFPE control



NFPE schematic



Operation

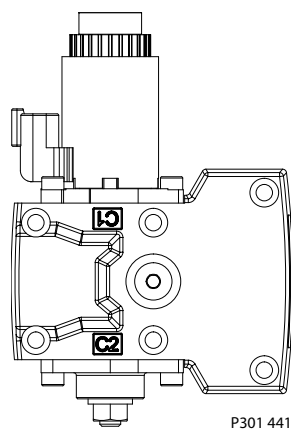
Fan Drive Control (FDC)

The Fan Drive Control (**FDC**) is a non-feedback control in which an electrical input signal activates the proportional solenoid that ports charge pressure to either side of the pump servo cylinder. The single proportional solenoid is used to control pump displacement in the forward or reverse direction.

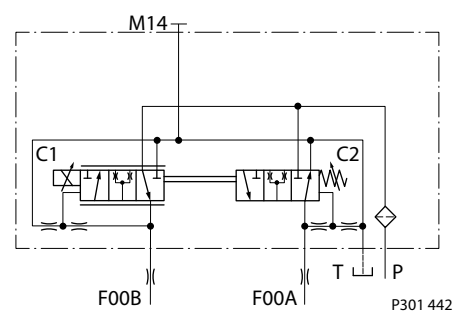
The control spool is spring biased to produce maximum forward pump displacement in the absence of an electrical input signal. Based on the spring bias spool default forward flow for a CW rotation pump is out of port B while default forward flow for a CCW rotation pump is out of port A.

Under some circumstances, such as contamination, the control spool could stick and cause the pump to stay at some displacement.

FDC control



FDC schematic



The pump should be configured with 0.8 mm control orifices to provide slowest response and maximize system stability. Additionally, pressure limiter (PL) valves are used to limit maximum fan trim speed in both (forward and reverse) directions.

H1 pumps with FDC will be delivered from factory with nominal pressure limiter setting of 150 bar [2175 psi]. The PL must be re-adjusted to ensure that the fan reaches the desired fan speed to satisfy the cooling needs of the system. HPRV setting must be always at least 30 bar [435 psi] higher than PL setting.

For more information necessary to properly size and configure a hydraulic fan drive system, see *Hydraulic Fan Drive Design Guidelines* [AB152886482265](#).

⚠ Warning

Use in other systems could result in unintended movement of the machine or it's elements. Loss of the input signal to this control will cause the pump to produce maximum flow.
The FDC is for Fan Drive systems only!

Due to the fail-safe functionality of the FDC control the pump will stroke to max. displacement in case the input signal to the pump control and the Diesel engine will be switched off at the same time. In this situation a low loop event can occur which may damage the pump. Therefore, it's strictly recommended to keep the input signal to the pump control alive while switching off the engine.

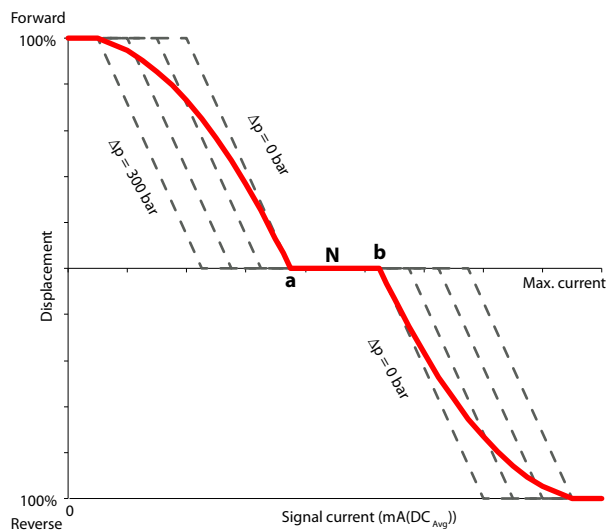
For further information please contact your Danfoss representative.

Control Signal Requirements, FDC

The pump displacement is proportional to the solenoid signal current, but it also depends upon pump input speed and system pressure. This characteristic also provides a power limiting function by reducing

Operation

the pump swash plate angle as system pressure increases. A typical response characteristic is shown in the accompanying graph below:



- a** – Forward threshold
- b** – Reverse threshold
- N** – Neutral override current

Control current requirements

Voltage*	a	N	b	Pin config.
12 V _{DC}	780 mA	1100 mA	1300 mA	any order
24 V _{DC}	400 mA	550 mA	680 mA	

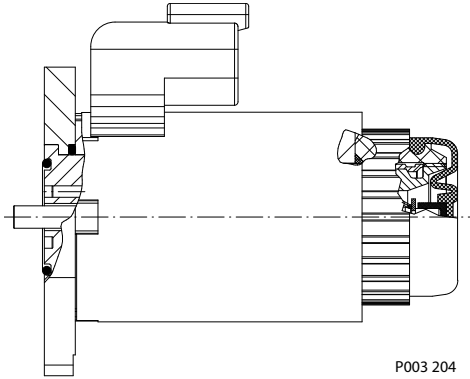
* Factory test current, for fan movement expect higher or lower value.

Operation

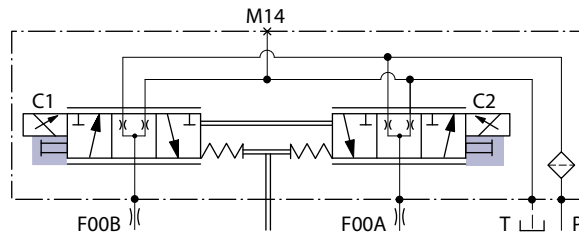
Manual Override (MOR)

All controls are available with a manual override functionality, either as a standard or as an option for temporary actuation of the control to aid in diagnostics.

Control with manual override



MOR schematic (EDC control shown)



Feedback from swash plate.

The MOR plunger has a 4 mm diameter and must be manually depressed to be engaged. Depressing the plunger mechanically moves the control spool which allows the pump to go on stroke. The MOR should be engaged anticipating a full stroke response from the pump.

An o-ring seal is used to seal the MOR plunger where initial actuation of the function will require a force of 45 N to engage the plunger. Additional actuation typically require less force to engage the MOR plunger.

Proportional control of the pump using the MOR should not be expected.

⚠ Warning

Unintended MOR operation will cause the pump to go into stroke; *example:* vehicle lifted off the ground. The vehicle or device must always be in a safe condition when using the MOR function.

Refer to control flow table for the relationship of solenoid to direction of flow.

Operation

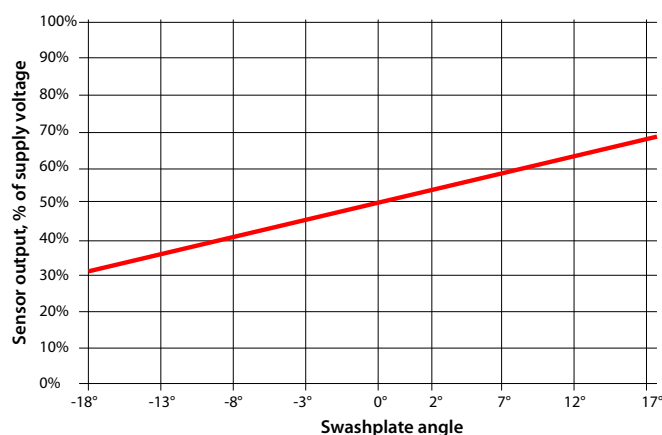
Swashplate angle sensor for EDC controls

The angle sensor detects the swash plate position with an accuracy dependent upon the calibration effort done for the application and direction of rotation from the neutral position. At minimum the sensor can be used for forward, neutral and reverse (FNR) detection.

The sensor works on the hall-effect technology. The implemented technology is based on a measurement of the magnetic field direction in parallel to the chip surface. This field direction is converted to a voltage signal at the output.

Enhanced calibration of the non-linear behavior leads to more exact calculation of the pump swashplate angle. The 4-pin DEUTSCH connector is part of the sensor housing. The swashplate angle sensor is available for all EDC controls for 12 V and 24 V.

Swashplate angle vs. output of supply voltage



⚠ Warning

Strong magnetic fields in the proximity of the sensor can influence the sensor signal and must be avoided.

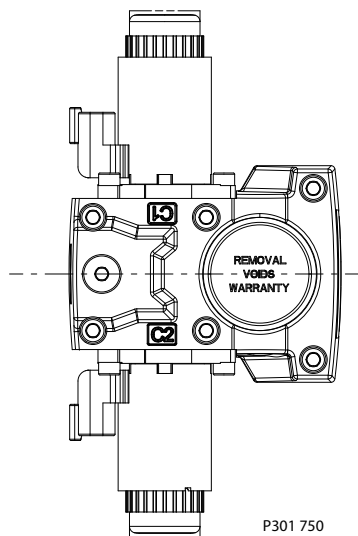
Contact your Danfoss representative in case the angle sensor will be used for safety functions.

Operation

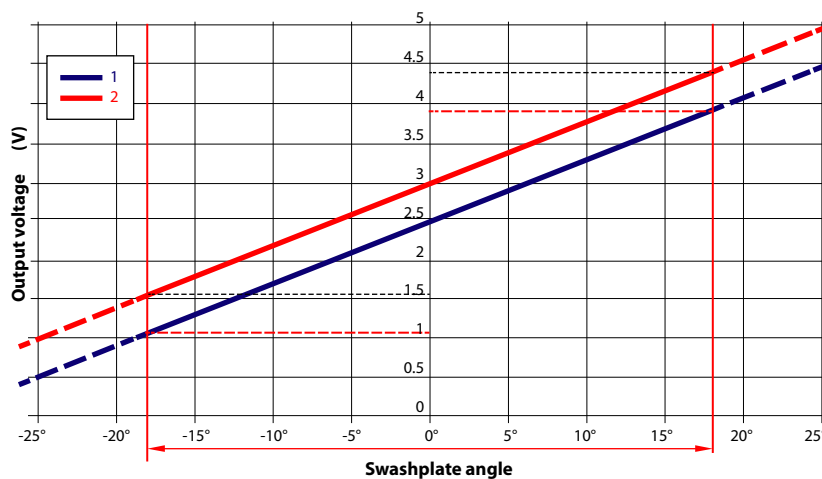
Swash Plate Angle Sensor for NFPE and AC2 Controls

The angle sensor detects the swash plate angle position and direction of rotation from the zero position. The swash angle sensor works on the AMR sensing technology. Under the saturated magnetic field, the resistance of the element varies with the magnetic field direction.

The output signal give a linear output voltage for the various magnet positions in the sensing range.



Swash plate angle vs. output voltage



Operation

Control Cut Off Valve (CCO)

The H1 pump offers an optional control cut off valve integrated into the control. All EDC, NFPE and MDC controls are available with a CCO valve. This valve will block charge pressure to the control, allowing the servo springs to de-stroke both pumps regardless of the pump's primary control input.

There is also a hydraulic logic port, X7, which can be used to control other machine functions, such as spring applied pressure release brakes. The pressure at X7 is controlled by the control cut off solenoid. The X7 port would remain plugged if not needed.

In the normal (de-energized) state of the solenoid charge flow is prevented from reaching the controls. At the same time the control passages and the X7 logic port are connected and drained to the pump case. The pump will remain in neutral, or return to neutral, independent of the control input signal. Return to neutral time will be dependent on oil viscosity, pump speed, swashplate angle, and system pressure.

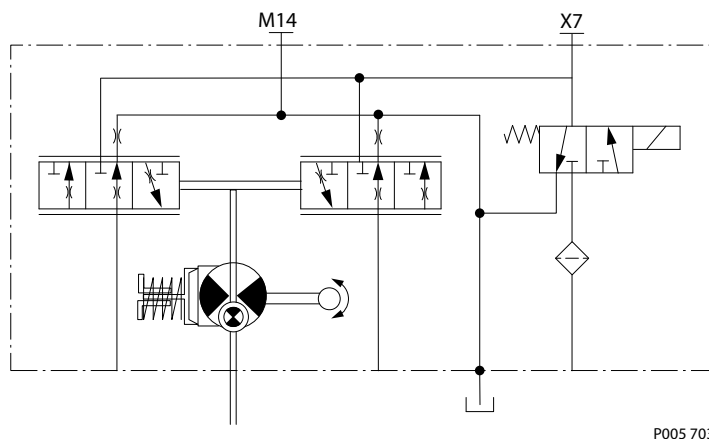
When the solenoid is energized, charge flow and pressure is allowed to reach the pump control. The X7 logic port will also be connected to charge pressure and flow.

The solenoid control is intended to be independent of the primary pump control making the control cut off an override control feature. It is however recommended that the control logic of the CCO valve be maintained such that the primary pump control signal is also disabled whenever the CCO valve is de-energized. Other control logic conditions may also be considered.

The CCO valve is available with 12 V or 24 V solenoid.

The response time of the unit depends on the control type and the used control orifices.

CCO schematic (MDC shown)



Brake gauge port with MDC

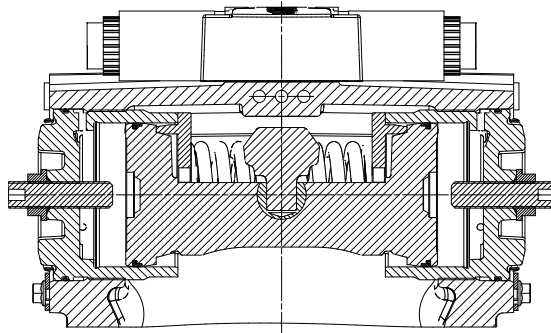
! Caution

It is not recommended to use brake port for any external flow consumption to avoid malfunction of CCO function.

Operation**Displacement Limiter**

H1 pumps are designed with optional mechanical displacement (stroke) limiters factory set to max. displacement. The maximum displacement of the pump can be set independently for forward and reverse using the two adjustment screws to mechanically limit the travel of the servo piston down to 50% displacement.

Adjustments under operating conditions may cause leakage. The adjustment screw can be completely removed from the threaded bore if backed out to far.



P003 266

Life Time

Hydraulic unit life depends on the speed and normal operating, or weighted average, pressure that can only be determined from a duty cycle analysis.

The life of the product depends on several factors, such as speed, pressure, swash plate angle, to name a few.

For detailed product life calculation, please contact your Danfoss representative.

Operation

Speed and Temperature Sensor

Description

Function of the speed sensor is to detect the shaft speed. Typically the sensor is mounted to the housing of a Danfoss pump or motor and senses the speed from a target ring that is rotating inside the pump or motor.

Because of the digital output signals for speed the sensor is ideal for high and low speed measurements.

The speed sensor is designed for rugged outdoor, mobile or heavy industrial speed sensing applications.

The detection of the speed is contactless. It is custom-designed for Danfoss. It is a *Plug and Perform* device that does not need any calibration or adjustments.

For diagnostics and other purposes, some sensor also has the capability to detect the driving direction and the case oil temperature.

Theory of Operation

The speed sensor is externally powered and, in response to the speed of the target ring, outputs a digital pulse signal. A magnet inside the sensor provides the magnetic field that changes with the position of the target teeth.

The target ring is attached to the cylinder block or the shaft. Hall sensors change from high/low state as the target teeth pass by the sensor's face. The digital (on-off-on-off) pulse train is fed to a controller, which interprets its rate of change as a speed.

Some speed sensor uses two Hall sensors with specific distance and orientation resulting in a pulse train output shift of 90° between the two sensors. A logic circuit decodes the two signals to provide an additional direction indication (high or low depending on direction).

Due to the design of the sensor, the duty cycle (ratio between on and off time at constant speed) of both speed signals at any working condition is close to 50 % and can be used for better resolution at low speeds.

Target Ring

Speed (target) rings vary according to the diameter of the cylinder block or shaft on which they are installed. The number of teeth is shown in the table below.

The number of speed (target) ring teeth

H1P size	045/053	060/068	069/078	089/100	115/130	147/165	210/250
Teeth	79	86	86	92	102	108	90

Mating Connectors

Mating connectors ordering data.

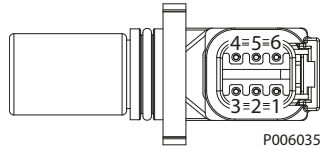
Ordering data

Description	Quantity	Ordering number
Mating connector	1	DEUTSCH DT06-6S
Wedge lock	1	DEUTSCH WM65
Socket contact (16 and 18 AWG)	6	DEUTSCH 0462-201-2031
DEUTSCH mating connector kit	1	11033865

Operation

Speed sensor 4.5 – 8 V

Speed sensor connector, 6-pin



1. Speed signal 2
2. Direction signal
3. Speed signal 1
4. Supply
5. Ground
6. Temperature

Technical data

Parameter	Min.	Nom.	Max.	Note
Supply voltage	4.5 V _{DC}	5 V _{DC}	8 V _{DC}	Regulated supply voltage. Reverse polarity protected.
Supply protection	–	–	30 V _{DC}	Shuts off above 9 V.
Max. required supply current	–	–	25 mA	At supply voltage
Max. output current	–	–	50 mA	
Operation mode	NPN & PNP			Push-Pull amplifier
Temperature signal	-40°C = 2.318V	–	100°C = 0.675V	
Output low	5 %	8.5 %	12 %	Ratiometric output voltage Low state > 0 V to provide wire fault detection
Output high	88 %	91.5 %	95 %	
Detectable frequency range	1 Hz	–	10 000 Hz	
Ordering number	149055			
Color of connector	Black			

Temperature Signal

For calculation of the case fluid temperature and the output signal voltage, see the formulas below:

***V_O* – Measured output voltage (V)**

$$V_o = (-3.88 \cdot 10^{-6} \cdot T^2) + (-1.15 \cdot 10^{-2} \cdot T) + 1.8639$$

***T* – Temperature (°C)**

$$T = -1481.96 + \sqrt{2.1962 \cdot 10^6 + \frac{(1.8639 - V_o)}{3.88 \cdot 10^{-6}}}$$

Output signal voltage vs. Temperature

Temperature range							
-55 °C**	-40 °C	-30 °C	0 °C	+30 °C*	+80 °C	+100 °C	+130 °C**
2.485 V	2.318 V	2.205 V	1.864 V	1.515 V	0.919 V	0.675 V	0.303 V

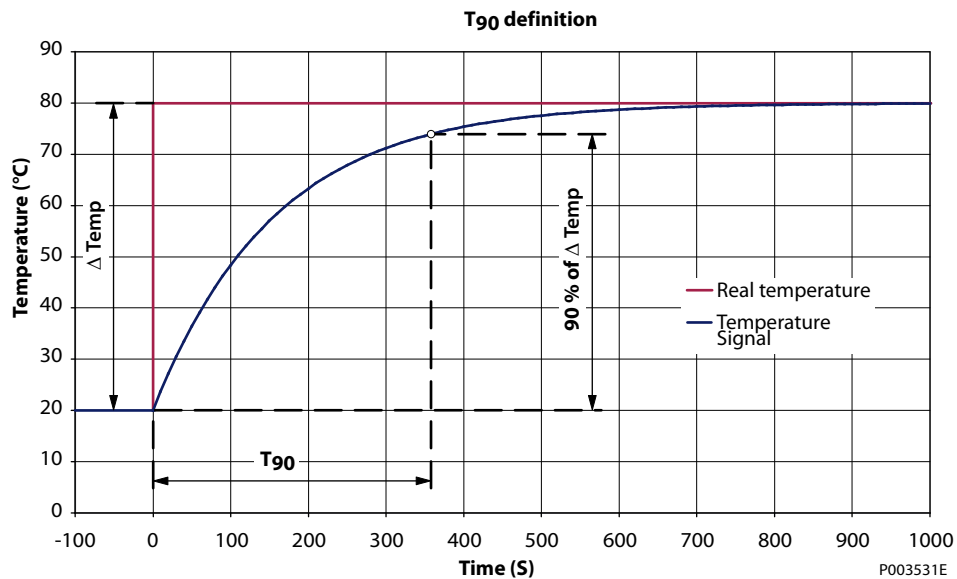
* Accuracy: ±1.5 to ±4 °C

** Accuracy: ±2.5 to ±5 °C

Operation

Response time in fluid

T₉₀ definition



Response time in fluid (T_{90}) = 360 s

Operating Parameters

Input Speed

Minimum speed is the lowest input speed recommended during engine idle condition. Operating below minimum speed limits the pump's ability to maintain adequate flow for lubrication and power transmission.

Rated speed is the highest input speed recommended at full power condition. Operating at or below this speed should yield satisfactory product life.

Operating conditions between rated and maximum speed should be restricted to less than full power and to limited periods of time.

Maximum speed is the highest operating speed permitted. Exceeding maximum speed reduces product life and can cause loss of hydrostatic power and braking capacity. For most drive systems, maximum unit speed occurs during downhill braking or negative power conditions.

 **Warning**

Never exceed the maximum speed limit under any operating conditions.

During hydraulic braking and downhill conditions, the prime mover must be capable of providing sufficient braking torque in order to avoid pump over speed. This is especially important to consider for turbo-charged and Tier 4 engines.

For more information please see *Pressure and Speed Limits*, **BC152886484313**, when determining speed limits for a particular application.

System Pressure

Hydraulic unit life depends on the speed and normal operating — or weighted average — pressure that can only be determined from a duty cycle analysis.

System pressure is the differential pressure between high pressure system ports. It is the dominant operating variable affecting hydraulic unit life. High system pressure, which results from high load, reduces expected life.

Application pressure is the high pressure relief or pressure limiter setting normally defined within the order code of the pump. This is the applied system pressure at which the drive line generates the maximum calculated pull or torque in the application.

Maximum working pressure is the highest recommended application pressure and is not intended to be a continuous pressure. Propel systems with application pressures at, or below this pressure should yield satisfactory unit life given proper component sizing. Application pressures above maximum working pressure will only be considered with duty cycle analysis and factory approval.

[Pressure spikes are normal and must be considered when reviewing maximum working pressure.](#)

Maximum pressure is the highest intermittent pressure allowed under any circumstances. Applications with applied pressures between rated and maximum require factory approval with complete application, duty cycle, and life expectancy analysis.

Minimum low loop pressure must be maintained under all operating conditions to avoid cavitation.

[All pressure limits are differential pressures referenced to low loop \(charge\) pressure. Subtract low loop pressure from gauge readings to compute the differential.](#)

Operating Parameters

Servo Pressure

Servo pressure is the pressure in the servo system needed to position and hold the pump on stroke. It depends on system pressure and speed. At minimum servo pressure the pump will run at reduced stroke depending on speed and pressure.

Minimum servo pressure at corner power holds the pump on full stroke at max speed and max pressure.

Maximum servo pressure is the highest pressure typically given by the charge pressure setting.

Charge Pressure

An internal charge relief valve regulates charge pressure. Charge pressure supplies the control with pressure to operate the swashplate and to maintain a minimum pressure in the low side of the transmission loop.

The charge pressure setting listed in the order code is the set pressure of the charge relief valve with the pump in neutral, operating at 1800 min⁻¹ (rpm), and with a fluid viscosity of 32 mm²/s [150 SUS].

Pumps configured with no charge pump (external charge supply) are set with a charge flow of 30 l/min [7.93 US gal/min] and a fluid viscosity of 32 mm²/s [150 SUS].

The charge pressure setting is referenced to case pressure. Charge pressure is the differential pressure above case pressure.

Minimum charge pressure is the lowest pressure allowed to maintain a safe working condition in the low side of the loop. Minimum control pressure requirements are a function of speed, pressure, and swashplate angle, and may be higher than the minimum charge pressure shown in the Operating parameters tables.

Maximum charge pressure is the highest charge pressure allowed by the charge relief adjustment, and which provides normal component life. Elevated charge pressure can be used as a secondary means to reduce the swashplate response time.

Charge Pump Inlet Pressure

At normal operating temperature charge inlet pressure must not fall below rated charge inlet pressure (vacuum).

Minimum charge inlet pressure is only allowed at cold start conditions. In some applications it is recommended to warm up the fluid (e.g. in the tank) before starting the engine and then run the engine at limited speed.

Maximum charge inlet pressure may be applied continuously.

Case Pressure

Under normal operating conditions, the rated case pressure must not be exceeded. During cold start case pressure must be kept below maximum intermittent case pressure. Size drain plumbing accordingly.

The auxiliary pad cavity of axial pumps configured without integral charge pumps is referenced to case pressure. Units with integral charge pumps have auxiliary mounting pad cavities referenced to charge inlet (vacuum).

Possible component damage or leakage.

Operation with case pressure in excess of stated limits may damage seals, gaskets, and/or housings, causing external leakage. Performance may also be affected since charge and system pressure are additive to case pressure.

Operating Parameters

External Shaft Seal Pressure

In certain applications the input shaft seal may be exposed to external pressure. In order to prevent damage to the shaft seal the maximum differential pressure from external sources must not exceed 0.4 bar (5.8 psi) over pump case pressure.

The case pressure limits of the pump must also be followed to ensure the shaft seal is not damaged.

Caution

Regardless of the differential pressure across the shaft seal, the shaft seal has been known to pump oil from the external source (e. g. gear box) into the pump case.

Temperature

The high temperature limits apply at the hottest point in the transmission, which is normally the motor case drain. The system should generally be run at or below the quoted **rated temperature**.

The **maximum intermittent temperature** is based on material properties and should never be exceeded.

Cold oil will generally not affect the durability of the transmission components, but it may affect the ability of oil to flow and transmit power; therefore temperatures should remain 16 °C [30 °F] above the pour point of the hydraulic fluid.

The **minimum temperature** relates to the physical properties of component materials.

Size heat exchangers to keep the fluid within these limits. Danfoss recommends testing to verify that these temperature limits are not exceeded.

Viscosity

For maximum efficiency and bearing life, ensure the fluid viscosity remains in the **recommended range**.

The **minimum viscosity** should be encountered only during brief occasions of maximum ambient temperature and severe duty cycle operation.

The **maximum viscosity** should be encountered only at cold start.

System design parameters

Fluid Specification

Viscosity

Intermittent¹⁾	5 mm ² /s [42 SUS]
Minimum	7 mm ² /s [49 SUS]
Recommended range	12 – 80 mm ² /s [66 – 370 SUS]
Maximum	1600 mm ² /s [7500 SUS]

¹⁾ Intermittent = Short term t < 1 min per incident and not exceeding 2 % of duty cycle based load-life.

Temperature

Minimum ¹⁾	-40°C [-40°F]
Rated	104°C [220°F]
Recommended range²⁾	60 – 85°C [140 – 185°F]
Maximum Intermittent	115°C [240°F]

¹⁾ Cold start = Short term t > 3 min, p ≤ 50 bar [725 psi], n ≤ 1000 min⁻¹ (rpm).

²⁾ At the hottest point, normally case drain port.

Fluid selection

Ratings and performance data published in this Technical Information and Service Manuals are based on operating with mineral oil based hydraulic fluids containing set of different additives. These fluids possess good thermal stability, high load-carrying capacity and wear protection in hydraulic systems.

More information about Fluids and Lubricants you can find in our Technical Information “Hydraulic Fluids and Lubricants” **(BC00000093)**

Any warranty applicable for failures related to components of Danfoss Power Solutions does not apply for any fluid related damages, unless such warranty has been expressly and specifically granted.

 **Caution**

It is not permissible to mix lubricants, different additive packages may cause negative interactions. If lubricant mixing cannot be avoided, contact your fluid manufacturer for recommendations.

System design parameters

Filtration System

To prevent premature wear, ensure only clean fluid enters the hydrostatic transmission circuit. A filter capable of controlling the fluid cleanliness to ISO 4406 class 22/18/13 (SAE J1165) or better, under normal operating conditions, is recommended.

These cleanliness levels can not be applied for hydraulic fluid residing in the component housing/case or any other cavity after transport.

The filter may be located on the pump (integral) or in another location (remote). The integral filter has a filter bypass sensor to signal the machine operator when the filter requires changing. Filtration strategies include suction or pressure filtration.

The selection of a filter depends on a number of factors including the contaminant ingress rate, the generation of contaminants in the system, the required fluid cleanliness, and the desired maintenance interval. Filters are selected to meet the above requirements using rating parameters of efficiency and capacity.

Filter efficiency can be measured with a Beta ratio (β_x). For simple suction filtered closed circuit transmissions and open circuit transmissions with return line filtration, a filter with a β -ratio within the range of $\beta_{35-45} = 75$ ($\beta_{10} \geq 2$) or better has been found to be satisfactory.

For some open circuit systems, and closed circuits with cylinders being supplied from the same reservoir, a considerably higher filter efficiency is recommended. This also applies to systems with gears or clutches using a common reservoir.

For these systems, a charge pressure or return filtration system with a filter β -ratio in the range of $\beta_{15-20} = 75$ ($\beta_{10} \geq 10$) or better is typically required.

Because each system is unique, only a thorough testing and evaluation program can fully validate the filtration system.

Please see *Design Guidelines for Hydraulic Fluid Cleanliness Technical Information*, **BC152886482150** for more information.

Filter β_x -ratio is a measure of filter efficiency defined by ISO 4572. It is defined as the ratio of the number of particles greater than a given diameter (“x” in microns) upstream of the filter to the number of these particles downstream of the filter.

Filtration, cleanliness level and β_x -ratio (recommended minimum)

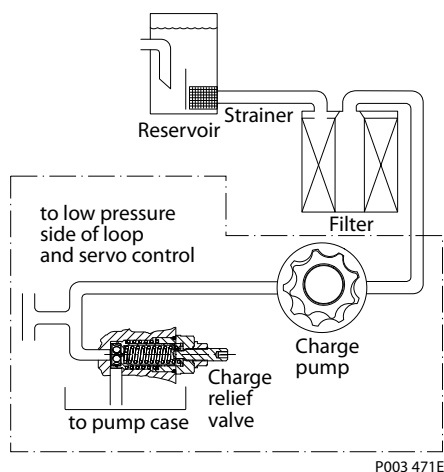
Cleanliness per ISO 4406	22/18/13
Efficiency β_x (charge pressure filtration)	$\beta_{15-20} = 75$ ($\beta_{10} \geq 10$)
Efficiency β_x (suction and return line filtration)	$\beta_{35-45} = 75$ ($\beta_{10} \geq 2$)
Recommended inlet screen mesh size	100 – 125 μm

System design parameters

Suction Filtration

The suction filter is placed in the circuit between the reservoir and the inlet to the charge pump.

Suction filtration



Possible charge pump damage. Clogged filters can cause cavitation, which damages the charge pump. We recommend a filter bypass with a filter bypass sensor to prevent damage due to blocked suction filters.

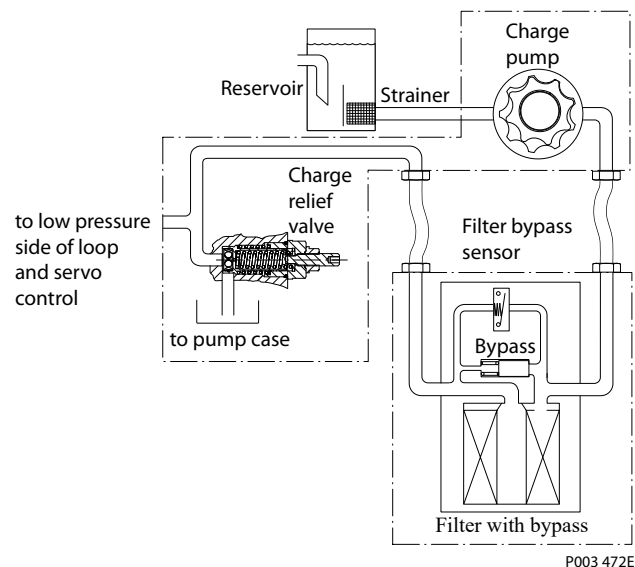
Charge pressure filtration (full charge pump flow)

Charge pressure filtration can mitigate high inlet vacuum in cold start-ups and provides fluid filtration immediately prior to entrance to the loop and the control system. Pressure filtration provides a higher level of filtering efficiency than suction filtration.

For most H1 pumps exist two types of pressure filtration:

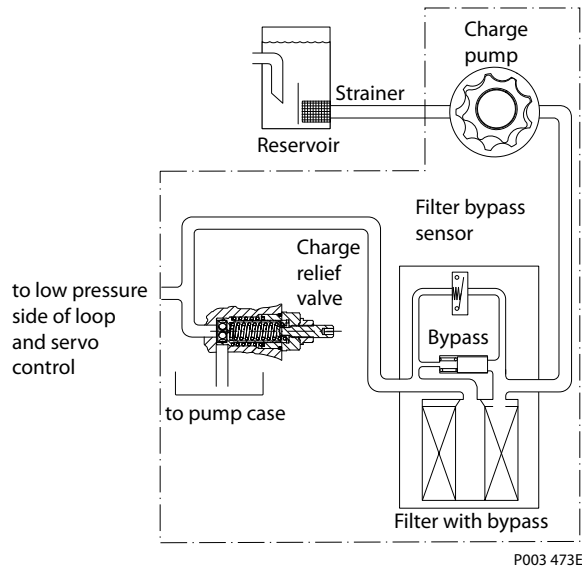
- remote pressure filtration (filter remotely mounted on vehicle)
- integral pressure filtration (filter mounted to the endcap)

Remote charge pressure filtration, full flow



System design parameters

Integral charge pressure filtration, full flow



Verify option availability in the size specific technical information. In either case the filtration circuit is the same with the filter element situated in the circuit downstream the charge pump and upstream of the charge relief valve such that full charge flow is continuously filtered.

Filters used in charge pressure filtration circuits must be rated to at least 35 bar [508 psi] pressure. A 100 – 125 µm screen located in the reservoir or in the charge inlet line is recommended when using charge pressure filtration.

A filter bypass valve is necessary to prevent filter damage and to avoid contaminants from being forced through the filter media by high pressure differentials across the filter.

In the event of high pressure drop associated with a blocked filter or cold start-up conditions, fluid will bypass the filter. Working with an open bypass should be avoided.

Remote Charge Pressure Filtration

Ports at the endcap are available to allow for the charge filter to be located conveniently for easy service and replacement.

Possible charge pump damage. Remote filter heads without bypass and poor plumbing design can encounter excessive pressure drops that can lead to charge pump damage in addition to contaminants being forced through the filter media and into the transmission loop.

Care should be taken to minimize the hydraulic pressure drops associated with long connecting lines, small diameter hoses, or restrictive port adaptors at the filter head or endcap. Ensure the normal operating pressure drop across the remote filtration in and out ports is sufficiently below the crack pressure setting of the recommended filter bypass valve.

System design parameters

Integral Charge Pressure Filtration

The H1 integral pressure filter head is designed with a filter bypass valve and non-contacting bypass sensor. The pressure differential acting on the filter element also acts on a spring biased bypass spool.

This spool is designed with a magnetic area. When a certain spool position is reached, the magnet closes a switch in the bypass sensor which allows R2 to be in parallel with R1. This occurs without any mechanical contact between the spool and the bypass sensor.

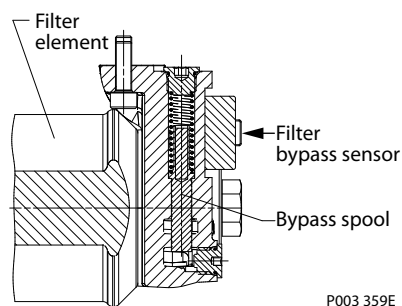
The position of the bypass spool is indicated by the change in the measured sensor resistance. The change in resistance occurs when R2 is switched in and out of the circuit.

When the filter is not being bypassed, the nominal measured resistance is 510 Ω. When the switch is closed, the nominal measured resistance is 122 Ω.

The bypass spool is designed so the bypass sensor switch will be closed before oil bypasses the filter element. This gives the machine operator an indication that the filter is very close to bypassing and a filter replacement is required.

For cold start conditions, it is typical that the filter may bypass for a short amount of time while the oil is warming up. At normal operating oil temperatures, a system that does not yet need a filter replacement will operate in the non-bypass mode. The addition of an oil temperature sensor and additional control logic, is recommended to properly determine if a filter replacement is required.

Integral filter head with filter bypass sensor



P003 359E

Pressure data

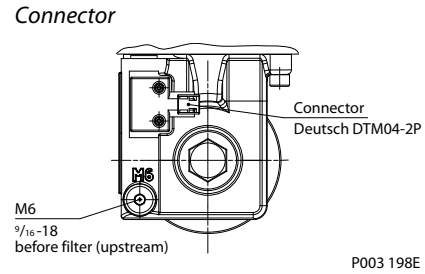
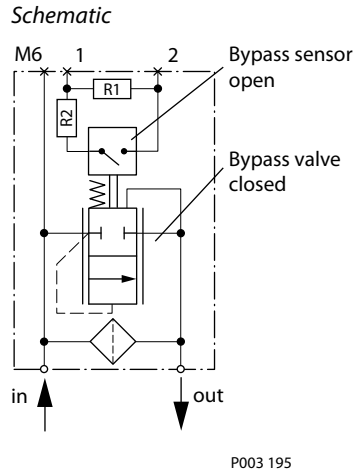
Filter bypass sensor switch closure Δp	Bypass valve Δp above sensor setting
4.5 ±0.8 bar [62.27 ±11.6 psi]	1.2 ±0.2 bar [17.4 ±2.9 psi]

Electric data

Max. voltage	48 V
Max. power	0.6 W
Switch: open / closed	510 / 122 Ω
Resistor tolerance	1 %
Temperature range	-20 ÷ +100 °C [-4 ÷ +212 °F]
IP Rating (IEC 60 529) + DIN 40 050	IP 69K part 9 with mating connector

Nominal flow at 30 mm²/s and Δp 0.5 bar [7.3 psi]		
Short	60 l/min	Min β _{7.5} (c) = 75 (β ₅ (c) ≥ 10) according to ISO 16889 (clean filter element only)
Medium	80 l/min	
Long	105 l/min	

System design parameters



Connector pin assignment (any order)

Connector	Pin assignment	Or	Pin assignment
	1. Supply 2. Ground (GND)	Alternative	1. Ground (GND) 2. Supply

H1 filter bypass sensor mating connector parts list

Description	Quantity	Order number
Mating connector	1	DEUTSCH DTM06-2S
Secondary wedge lock	1	DEUTSCH WM-2S
Socket terminal	2	DEUTSCH 0462-201-20141
Danfoss mating connector kit	1	11031205

H1P Filters Ordering Numbers

The H1 pumps with an integrated filter option are shipped with a filter of length as indicated below:

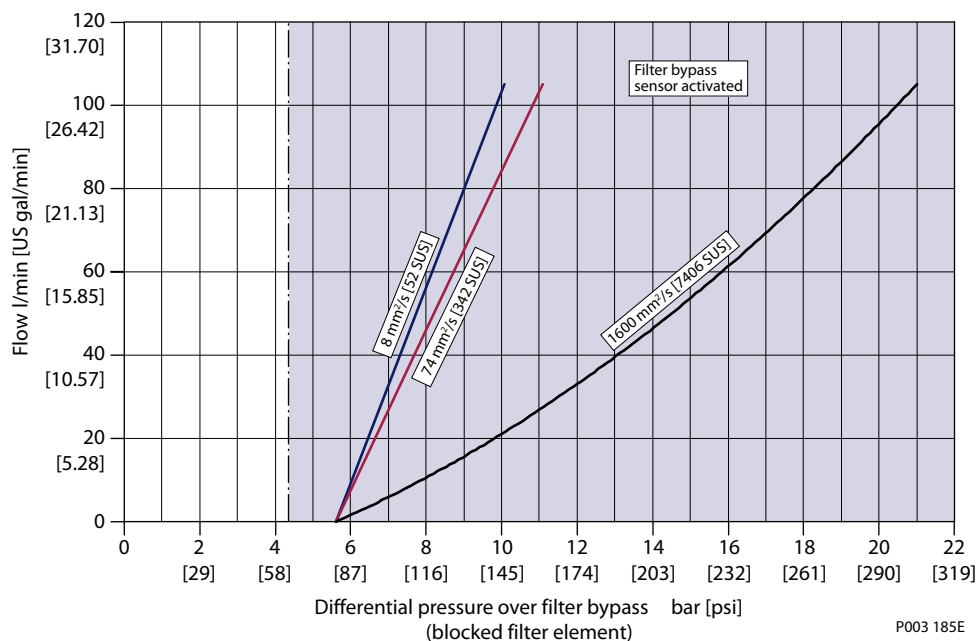
H1 pump size	Filter element length	Ordering number
H1P 069/078, 089/100	Medium	11004918
H1P 115/130, 147/165	Long	11004919

System design parameters

Filter Bypass Characteristic

The diagram below shows the differential pressure between filter **in** and **out** with a filter element completely blocked, so that all flow runs across the filter bypass valve.

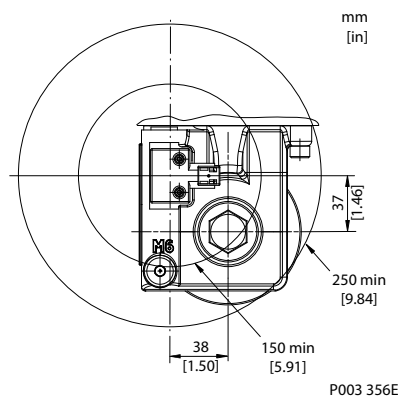
Filter bypass characteristic (completely blocked element)



Bypass Sensor Clearance

The bypass sensor is activated by the magnetic bypass valve.

No steel parts are allowed within a radius of 150 mm [5.91 in]. Moving steel devices or parts are not allowed within a radius of 250 mm [9.84 in].



Independent Braking System

Unintended vehicle or machine movement hazard. Exceeding maximum speed may cause a loss of hydrostatic drive line power and braking capacity.

Machine manufacturer is responsible to provide a braking system, redundant to the hydrostatic transmission, sufficient to stop and hold the vehicle or machine in the event of hydrostatic drive power loss. The braking system must also be sufficient to hold the machine in place when full power is applied.

System design parameters**Reservoir**

The hydrostatic system reservoir should accommodate maximum volume changes during all system operating modes and promote de-aeration of the fluid as it passes through the tank. A suggested minimum total reservoir volume is $\frac{5}{8}$ of the maximum charge pump flow per minute with a minimum fluid volume equal to $\frac{1}{2}$ of the maximum charge pump flow per minute. This allows 30 seconds fluid dwell for removing entrained air at the maximum return flow. This is usually adequate to allow for a closed reservoir (no breather) in most applications.

Locate the reservoir outlet (charge pump inlet) above the bottom of the reservoir to take advantage of gravity separation and prevent large foreign particles from entering the charge inlet line. A 100-125 μm screen over the outlet port is recommended. Position the reservoir inlet (fluid return) to discharge below the normal fluid level, toward the interior of the tank. A baffle (or baffles) will further promote de-aeration and reduce surging of the fluid.

Case drain

All single H1 pumps are equipped with multiple drain ports whereas some H1 pumps are equipped with two case drain port sizes. Port selection and case drain routing must enable the pump housing to maintain a volume of oil not less than half full and normal operating case pressure limits of the unit are maintained. Case drain routing and design must consider unit case pressure ratings.

A case drain line must be connected to one of the case outlets to return internal leakage to the system reservoir.

System design parameters**Charge pump**

Charge flow is required on all H1 pumps applied in closed circuit installations. The charge pump provides flow to make up internal leakage, maintain a positive pressure in the main circuit, provide flow for cooling and filtration, replace any leakage losses from external valving or auxiliary systems, and to provide flow and pressure for the control system.

Many factors influence the charge flow requirements and the resulting charge pump size selection. These factors include system pressure, pump speed, pump swashplate angle, type of fluid, temperature, size of heat exchanger, length and size of hydraulic lines, control response characteristics, auxiliary flow requirements, hydrostatic motor type, etc. When initially sizing and selecting hydrostatic units for an application, it is frequently not possible to have all the information necessary to accurately evaluate all aspects of charge pump size selection.

Unusual application conditions may require a more detailed review of charge pump sizing. Charge pressure must be maintained at a specified level under all operating conditions to prevent damage to the transmission. Danfoss recommends testing under actual operating conditions to verify this.

Charge pump sizing/selection

In most applications a general guideline is that the charge pump displacement should be at least 10 % of the total displacement of all components in the system. Unusual application conditions may require a more detailed review of charge flow requirements. Please refer to *Selection of Drive Line Components*, **BC157786484430** for a detailed procedure.

System features and conditions which may invalidate the 10 % guideline include (but are not limited to):

- Continuous operation at low input speeds ($< 1500 \text{ min}^{-1}$ (rpm))
- High shock loading and/or long loop lines
- High flushing flow requirements
- Multiple Low Speed High Torque motors
- High input shaft speeds

System design parameters

Bearing loads and life

Bearing life is a function of speed, system pressure, charge pressure, and swashplate angle, plus any external side or thrust loads. The influence of swashplate angle includes displacement as well as direction. External loads are found in applications where the pump is driven with a side/thrust load (belt or gear) as well as in installations with misalignment and improper concentricity between the pump and drive coupling. All external side loads will act to reduce the normal bearing life of a pump. Other life factors include oil type and viscosity.

In vehicle **propel drives** with no external shaft loads and where the system pressure and swashplate angle are changing direction and magnitude regularly, the normal L₂₀ bearing life (80 % survival) will exceed the hydraulic load-life of the unit.

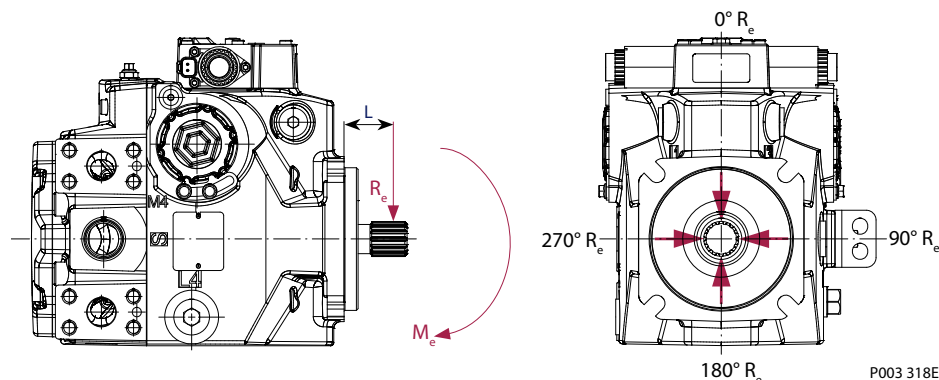
In **non propel drives** such as vibratory drives, conveyor drives or fan drives, the operating speed and pressure are often nearly constant and the swashplate angle is predominantly at maximum. These drives have a distinctive duty cycle compared to a propulsion drive. In these types of applications a bearing life review is recommended.

Applications with external shaft loads H1 pumps are designed with bearings that can accept some external radial and thrust loads. When external loads are present, the allowable radial shaft loads are a function of the load position relative to the mounting flange, the load orientation relative to the internal loads, and the operating pressures of the hydraulic unit. In applications where external shaft loads cannot be avoided, the impact on bearing life can be minimized by proper orientation of the load. Optimum pump orientation is a consideration of the net loading on the shaft from the external load, the pump rotating group and the charge pump load.

- In applications where the pump is operated such that nearly equal amounts of forward vs. reverse swashplate operation is experienced; bearing life can be optimized by orientating the external side load at 0° or 180° such that the external side load acts 90° to the rotating group load (for details see drawing below).
- In applications where the pump is operated such that the swashplate is predominantly (> 75 %) on one side of neutral (e.g. vibratory, conveyor, typical propel); bearing life can be optimized by orientating the external side load generally opposite of the internal rotating group load. The direction of internal loading is a function of rotation and system port, which has flow out. Tables are available in the Controls section of each H1 size specific technical information that illustrates the flow out port as a function of pump rotation and energized EDC solenoid.
- H1 pumps are designed with bearings that can accept some thrust load such that incidental thrust loads are of no consequence. When thrust loads are anticipated the allowable load will depend on many factors and it is recommended that an application review be conducted.

Contact Danfoss for a bearing life review if external side loads are present.

Radial load position



- M_e = Shaft moment
- L = Flange distance
- R_e = External force to the shaft

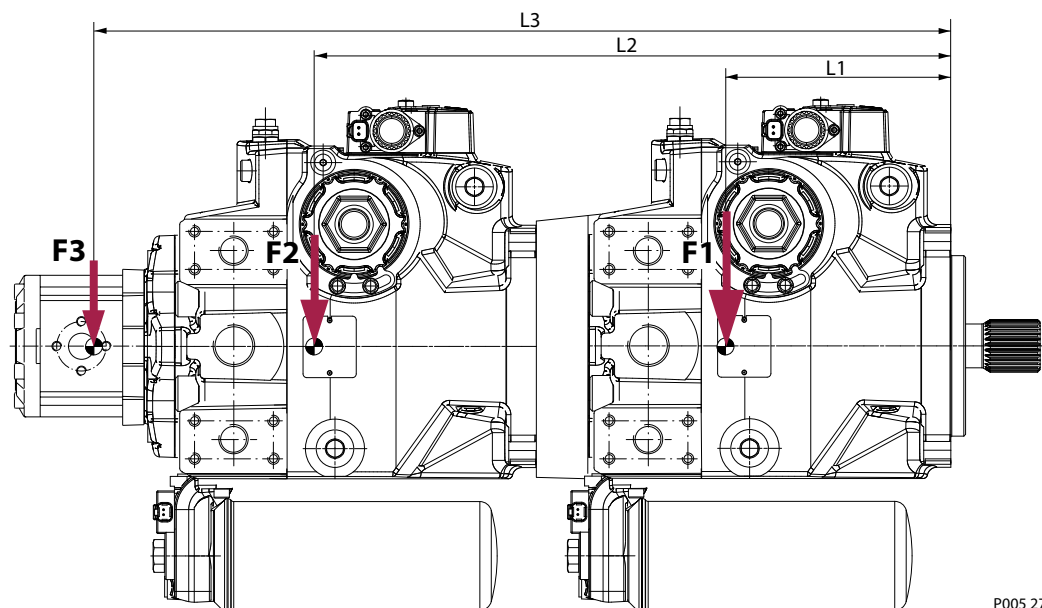
Allowable shaft loads and moments are shown for each size specific technical information.

System design parameters

Mounting flange loads

Adding tandem mounted auxiliary pumps and/or subjecting pumps to high shock loads may result in excessive loading of the mounting flange. Applications which experience extreme resonant vibrations or shock may require additional pump support. The overhung load moment for multiple pump mounting may be estimated using the formula below:

Overhung load example



P005 275

Estimating overhung load moments, max. and rated acceleration factors for some typical applications:

Rated load moment

$$M_R = g \cdot G_R (W_1L_1 + W_2L_2 + \dots + W_nL_n) \text{ N}\cdot\text{m} \text{ [lb}\cdot\text{in]}$$

Shock load moment

$$M_S = g \cdot G_S (W_1L_1 + W_2L_2 + \dots + W_nL_n) \text{ N}\cdot\text{m} \text{ [lb}\cdot\text{in]}$$

Variables:

g = Gravity 9.81 m/s²

G_R = Calculation factor for rated (vibratory) acceleration. This factor depends on the application.

G_S = Calculation factor for max. shock acceleration. This factor depends on the application.

W = Mass/Weight of pump, kg [lb]

L = Distance from mounting flange to pump center of gravity, m [in] (refer to Installation drawings.)

Allowable overhung load moment values are given for each size specific technical information. Exceeding these values requires additional pump support.

Typical G loads for various applications

Application	Calculation factor	
	Rated (vibratory) acceleration G _R	Maximum (shock) acceleration G _S
Skid Steer Loader	8	15-20
Trencher (rubber tires)	3	8
Asphalt Paver	2	6
Windrower	2	5
Aerial Lift, Turf Care	1.5	4
Vibratory Roller	6	10

Use these in the absence of specific data for a rough estimation.

System design parameters**Shaft Torque for Splined Shafts**

The rated torque of a flooded spline can increase to that of the maximum published rating. A flooded spline would be indicative of a pump driven by a pump drive or plugged into an auxiliary pad of a pump.

Rated torque is a measure of tooth wear and is the torque level at which a normal spline life of 2×10^9 shaft revolutions can be expected. The rated torque of a flooded spline can increase to that of the maximum published rating. A flooded spline would be indicative of a pump driven by a pump drive or plugged into an auxiliary pad of a pump.

Presumes a regularly maintained minimum level of lubrication via a moly-disulfide grease in order to reduce the coefficient of friction and to restrict the presence of oxygen at the spline interface. It is also assumed that the mating spline has a minimum hardness of Rc 55 and full spline depth.

The rated torque is proportional to the minimum active spline length.

Maximum torque is based on torsional fatigue strength considering 100.000 full load reversing cycles. However, a spline running in oil-flooded environment provides superior oxygen restriction in addition to contaminant flushing.

Maintaining a spline engagement at least equal to the pitch diameter will also maximize spline life. Spline engagements of less than $\frac{3}{4}$ pitch diameter are subject to high contact stress and spline fretting.

Shaft Torque for Tapered Shafts

Rated torque is based on the contact pressure between the shaft and hub surfaces with poor surface contact areas. With an increased quality of the contact areas, the contact pressure between the shaft and hub is increased and allows higher torque to be transmitted.

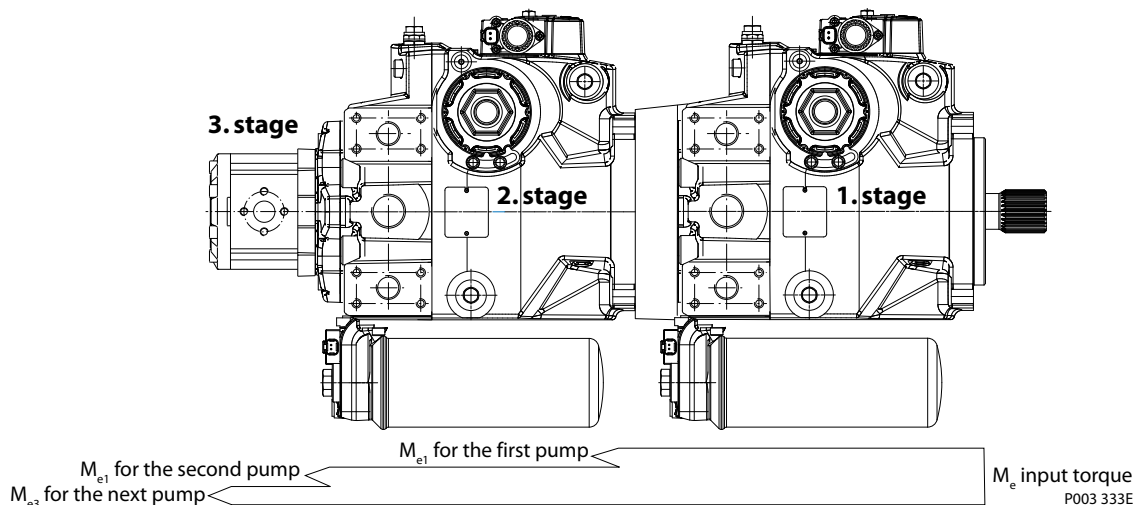
When a key is used for orientation of the hub on the shaft in conjunction with poor quality contact surfaces, the transmitted torque will drop significantly. This is due to the key carrying the torque, which limits the shaft torque carrying capability.

Maximum torque is based on an ideal contact area of 100 % and the retaining nut properly torqued. This allows for the highest contact pressure between the shaft and the hub.

System design parameters

Shaft availability and torque ratings

Multiple pump installations must consider the loads from the entire pump stack and all torques are additive. Charge pumps loads must also be included.



! Caution

Ensure requirements do not exceed shaft torque ratings. Torque required by auxiliary pumps is additive.

Alignment between the mating spline's Pitch Diameters is another critical feature in determining the operating life of a splined drive connection. Plug-in, or rigid spline drive installations can impose severe radial loads on the shafts.

The radial load is a function of the transmitted torque and shaft eccentricity. Increased spline clearance will not totally alleviate this condition; BUT, increased spline clearance will prevent mechanical interference due to misalignment or radial eccentricity between the pitch diameters of the mating splines. Spline life can be maximized if an intermediate coupling is introduced between the bearing supported splined shafts.

Rated and maximum torque ratings for each available shaft is shown in the H1 size specific technical information.

System design parameters**Minimizing System Noise**

Noise is transmitted in fluid power systems in two ways: as fluid borne noise, and structure borne noise. System lines and pump mounting can amplify pump noise.

Fluid-borne noise (pressure ripple or pulsation) is created as pumping elements discharge oil into the pump outlet. It is affected by the compressibility of the oil, and the pump's ability to transition pumping elements from high to low pressure. Pulsations travel through the hydraulic lines at the speed of sound (about 1400 m/s [4600 ft/sec] in oil) until there is a change (such as an elbow) in the line. Thus, amplitude varies with overall line length and position.

Structure born noise is transmitted wherever the pump casing connects to the rest of the system. The way system components respond to excitation depends on their size, form, material, and mounting.

Follow the suggestions below to minimize noise in your application:

- Use flexible hoses
- Limit system line length
- If possible, optimize system line position to minimize noise
- If you must use steel plumbing, clamp the lines
- If you add additional support, use rubber mounts
- Test for resonants in the operating range; if possible avoid them

System design parameters

Determination of Nominal Pump Sizes

Generally, the sizing process is initiated by an evaluation of the machine system to perform the necessary work function. The following formulae can be used to determine the nominal pump size for a specific application.

	Metric System	Inch System
Output flow	$Q_e = \frac{V_g \cdot n \cdot \eta_v}{1000}$ (l/min)	$Q_e = \frac{V_g \cdot n \cdot \eta_v}{231}$ (US gal/min)
Input torque	$M_e = \frac{V_g \cdot \Delta p}{20 \cdot \pi \cdot \eta_m}$ (N·m)	$M_e = \frac{V_g \cdot \Delta p}{2 \cdot \pi \cdot \eta_m}$ (lbf·in)
Input power	$P_e = \frac{M_e \cdot n \cdot \pi}{30\,000} = \frac{Q_e \cdot \Delta p}{600 \cdot \eta_t}$ (kW)	$P_e = \frac{M_e \cdot n \cdot \pi}{198\,000} = \frac{Q_e \cdot \Delta p}{1714 \cdot \eta_t}$ (hp)

Variables:

- V_g** = Displacement per rev.
- p_{HP}** = High pressure
- p_{NP}** = Low pressure
- Δp** = p_{HP} - p_{NP}
- n** = Input speed
- η_v** = Volumetric efficiency
- η_m** = Mechanical (torque) efficiency
- η_t** = Overall efficiency (η_v · η_m)

SI units [US units]:

- cm³/rev [in³/rev]
- bar [psi]
- bar [psi]
- bar [psi]
- min⁻¹ (rpm)

Products we offer:

- Cartridge valves
- DCV directional control valves
- Electric converters
- Electric machines
- Electric motors
- Gear motors
- Gear pumps
- Hydraulic integrated circuits (HICs)
- Hydrostatic motors
- Hydrostatic pumps
- Orbital motors
- PLUS+1® controllers
- PLUS+1® displays
- PLUS+1® joysticks and pedals
- PLUS+1® operator interfaces
- PLUS+1® sensors
- PLUS+1® software
- PLUS+1® software services, support and training
- Position controls and sensors
- PVG proportional valves
- Steering components and systems
- Telematics

Danfoss Power Solutions is a global manufacturer and supplier of high-quality hydraulic and electric components. We specialize in providing state-of-the-art technology and solutions that excel in the harsh operating conditions of the mobile off-highway market as well as the marine sector. Building on our extensive applications expertise, we work closely with you to ensure exceptional performance for a broad range of applications. We help you and other customers around the world speed up system development, reduce costs and bring vehicles and vessels to market faster.

Danfoss Power Solutions – your strongest partner in mobile hydraulics and mobile electrification.

Go to www.danfoss.com for further product information.

We offer you expert worldwide support for ensuring the best possible solutions for outstanding performance. And with an extensive network of Global Service Partners, we also provide you with comprehensive global service for all of our components.

Local address:

Hydro-Gear

www.hydro-gear.com

Daikin-Sauer-Danfoss

www.daikin-sauer-danfoss.com

**Danfoss
Power Solutions (US) Company**
2800 East 13th Street
Ames, IA 50010, USA
Phone: +1 515 239 6000

**Danfoss
Power Solutions GmbH & Co. OHG**
Krokamp 35
D-24539 Neumünster, Germany
Phone: +49 4321 871 0

**Danfoss
Power Solutions ApS**
Nordborgvej 81
DK-6430 Nordborg, Denmark
Phone: +45 7488 2222

**Danfoss
Power Solutions Trading
(Shanghai) Co., Ltd.**
Building #22, No. 1000 Jin Hai Rd
Jin Qiao, Pudong New District
Shanghai, China 201206
Phone: +86 21 2080 6201

Danfoss can accept no responsibility for possible errors in catalogues, brochures and other printed material. Danfoss reserves the right to alter its products without notice. This also applies to products already on order provided that such alterations can be made without subsequent changes being necessary in specifications already agreed. All trademarks in this material are property of the respective companies. Danfoss and the Danfoss logotype are trademarks of Danfoss A/S. All rights reserved.